

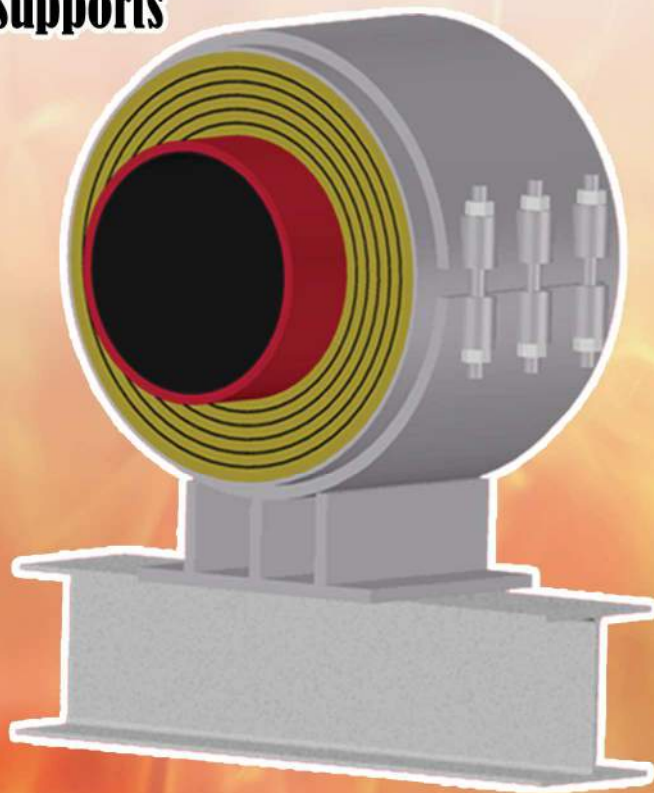
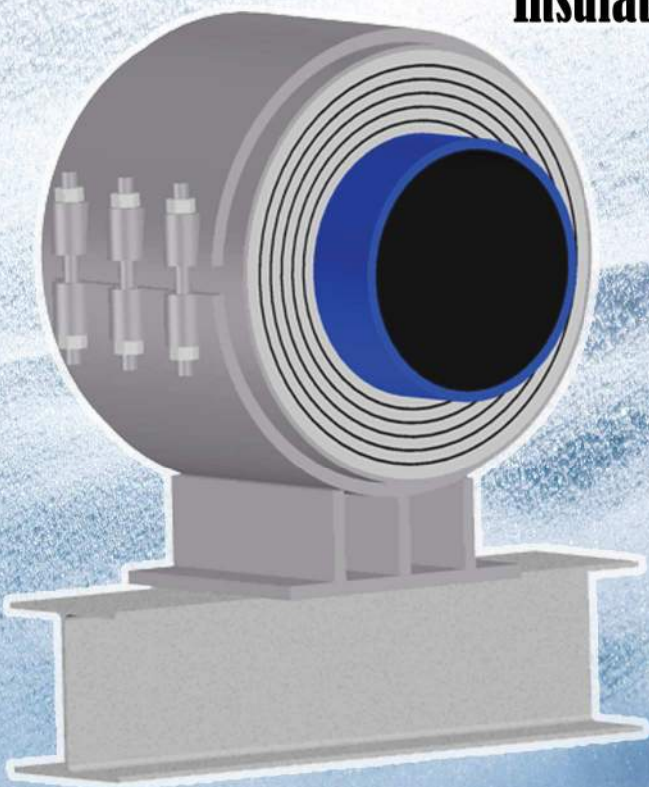
*"All The Support You Need"*



**Manufacturing Company, Inc**

# CryoWrap & PyroWrap

## Insulated Pipe Supports



[www.aerogel.com](http://www.aerogel.com)

Aspen Aerogels - Thermal Range

195°F (90°C)

-460°F  
(-270°C)

CRYOGEL Z

PYROGEL XT

1200°F  
(650°C)

-40°F (-40°C)

**2011 Catalog**





**Since 1972, RILCO Manufacturing Company Incorporated has been providing our discerning clients with custom fabricated pipe support systems, engineered and manufactured to the most exacting standards. A pioneer in the development of low and high temperature pipe supports, we offer a full range of products and engineered systems used in a multitude of environmentally sensitive applications. We are the experts in pipe supports, from corrosion resistant to cryogenic systems, for both industrial and commercial applications worldwide.**

**RILCO support includes:**

**Complete Engineering & Project Management:**

Design and detailing using:

Pro-Engineer / 3D Parametric Model    Mathcad    ACAD    Visual Basic    Gateway

**Engineered Products:**

Variable & CAM ROLLER™ Constant Hangers & Supports    Sway Struts    Mechanical & Hydraulic Shock Arrestors (Snubbers)

**Industrial & Commercial Pipe Hanger & Support Hardware**

**Cold and Hot Service Pipe Supports:**

Pre-Insulated Pipe Shoes, Anchors & Guides  
 Isolation Blocks  
 Permal Block  
 Calcium Silicate Insulation  
 Micarta™ Blocks, Sleeves, and Washers  
 Polyurethane Foam of 6#, 8#, 10#, 20# & 30# density  
 Marinite™  
 CryoWrap™ & PyroWrap™



**Fabric Expansion Joints:**

Insulcon Fabric Compensators and Multi-Bellows

**Fabricated Pipe Supports:**

Non-Insulated Pipe Shoe, Anchor and Guides    Stanchions (Rigid or Adjustable)    Adjustable Pipe Support  
 Structural Pipe Supports manufactured to your specifications

**Slide Plates:**

Teflon    Stainless Steel    Graphite

**Embeds**

**Instrument Stands**

**Hold Down Clamps**



# MANAGEMENT SYSTEM CERTIFICATE

Certificate No:  
CERT-06335-2004-AQ-HOU-ANAB

Initial certification date:  
09, January, 2004

Valid:  
16, March, 2016 - 15, September, 2018

This is to certify that the management system of

## Rilco Manufacturing

12700 Tanner Road, Houston, TX 77041 USA  
and the sites as mentioned in the appendix accompanying this certificate

has been found to conform to the Quality Management System standard:  
**ISO 9001:2008**

This certificate is valid for the following scope:  
**The Design and Manufacture of Insulated Pipe Supports, Steel Fabrication  
and Spring Hangers.**

Place and date:  
Katy, TX, 09, March, 2016



For the issuing office:  
DNV GL – Business Assurance  
1400 Ravello Drive, Katy, TX, 77449 USA

A handwritten signature in black ink, appearing to read 'John C. Stefan'.

**John C. Stefan**  
Management Representative

## PIPE HANGERS

The present line of RILCO pipe hangers and supports are the result of over thirty-five years experience in the industrial piping field. Our large, complete line includes pipe hangers or supports of American manufacture for any suspension needs encountered in pipe installation work.

Maximum recommended load ratings for hangers have been established through testing by the RILCO Research and Development Department and are based on the allowable stresses specified in the ANSI/ASME B31.1 & B31.3 code for Pressure Piping; the Manufacturers Standardization Society Standard Practice SP-58, 69 & 89; applicable ASTM codes or RILCO design standards, as requested or applicable.

Should some detail of construction or piping arrangement make it necessary to deviate from our standard hangers or supports, RILCO, through our superior design team and our state of the art manufacturing facilities, is equipped to furnish hangers and supports to meet your most stringent requirements. We are continually monitoring our projects and collaborating with engineers in the preparation of specifications for hanger requirements and the interpretation of applicable piping codes.

RILCO is recognized worldwide as a leader in the arena of pipe hangers and supports because of our exacting standards of research, design, engineering, and manufacturing that go into the production of all of our products. All RILCO products are manufactured in accordance with approved ISO 9001:2000 quality programs.

### WARNING

ALL products included in this catalog are intended for installation and service only as described or specified herein.

RILCO cannot be held responsible for injuries to persons or property damage caused by misapplication or improper use of any products in its catalogs used in ways or for purposes other than for which said products have been designed and manufactured. Some examples of misuse are: use of hanger products as erection tools; use of beam clamps on beams for which they were not specified; use of concrete inserts as anchors for pulling pipe to proper elevation and suspension of one clevis hanger under another, resulting in a cumulative load greater than the specified support capability.

RILCO products are carefully designed and manufactured in accordance with the approvals and/or codes referenced above. Care should be exercised by installers and end users to install, use and maintain these products properly to avoid any possible on-the-job accidents.

All designed products are subject to change without notice.



# Table Of Contents

## U.S. Customary Section

### CryoWrap™

Product Overview.....6

CryoWrap Applications.....8

CryoWrap Properties.....9

CS-6111CW-Cold Slide Support.....10-15

CG-6111CW-Cold Guide Support.....18-23

CA-6111CW-Cold Anchor Support.....26-31

### PyroWrap™

PyroWrap Applications.....34

PyroWrap Properties.....35

HS-6111PW-Hot Slide Support.....36-41

HG-6111PW-Hot Guide Support.....44-49

HA-6111PW-Hot Anchor Support.....52-57

## Metric Section

### CryoWrap™

CryoWrap Applications.....60

CryoWrap Properties.....61

CS-6111CW-Cold Slide Support.....62-67

CG-6111CW-Cold Guide Support.....70-75

CA-6111CW-Cold Anchor Support.....78-83

### PyroWrap™

PyroWrap Applications.....86

PyroWrap Properties.....87

HS-6111PW-Hot Slide Support.....88-93

HG-6111PW-Hot Guide Support.....96-101

HA-6111PW-Hot Anchor Support.....104-109

RILCO Terms and Conditions of Sale.....110-111

More RILCO Products.....112-114





## CryoWrap™ & PyroWrap™ the Newest Technology in Insulated Pipe Supports

Once again RILCO Manufacturing Company Incorporated leads the way with lighter weight, insulated pipe supports featuring the lowest K-Values of any industrial insulation available. Designed for applications from -460°F (-270°C) to 1200°F (650 °C) we have the exact Anchor, Guide or Resting Support to meet your engineered requirements.

RILCO has teamed with Aspen Aerogels Inc. to offer a pipe support utilizing leading edge technology to provide environmentally friendly, fire, hydrophobic insulation that is not only durable but substantially smaller in diameter and lighter in weight.

Although aerogels have been available for more than 70 years, they are recognized as the world’s lowest density solid and most effective thermal insulator. These lightweight silica solids, derived from gel with gas replacing the liquid, are poor conductors because they are comprised of very small, three dimensional, intertwined clusters accounting for only 3% of the volume. The remaining 97% consists of extremely small nanopores of air with minimal room to move thereby inhibiting convection and gas-phase conduction.

CryoWrap™ and PyroWrap™ pipe supports combine RILCO’s re-known engineering and proprietary construction expertise with Aspen Aerogel’s Cryogel™ Z and Pyrogel™ XT. The result is a disruptive technology yielding resilient, durable pipe supports with superior insulating properties designed specifically for applications ranging from cryogenic to high temperatures.

Cryogel Z, Pyrogel XT and Aerogel are all registered trademarks of Aspen Aerogel INC.

### Distinguishing Characteristics

**Fire Resistant** - CryoWrap™ and PyroWrap™ offer unparalleled resistance to flame spread with minimal smoke emission with no toxic effects. Each product protects both piping and equipment longer thereby extending the reaction time needed to respond to serious events.

**Hydrophobic** - CryoWrap™ and PyroWrap™ are extremely hydrophobic and exhibit incredible resistance to moisture.

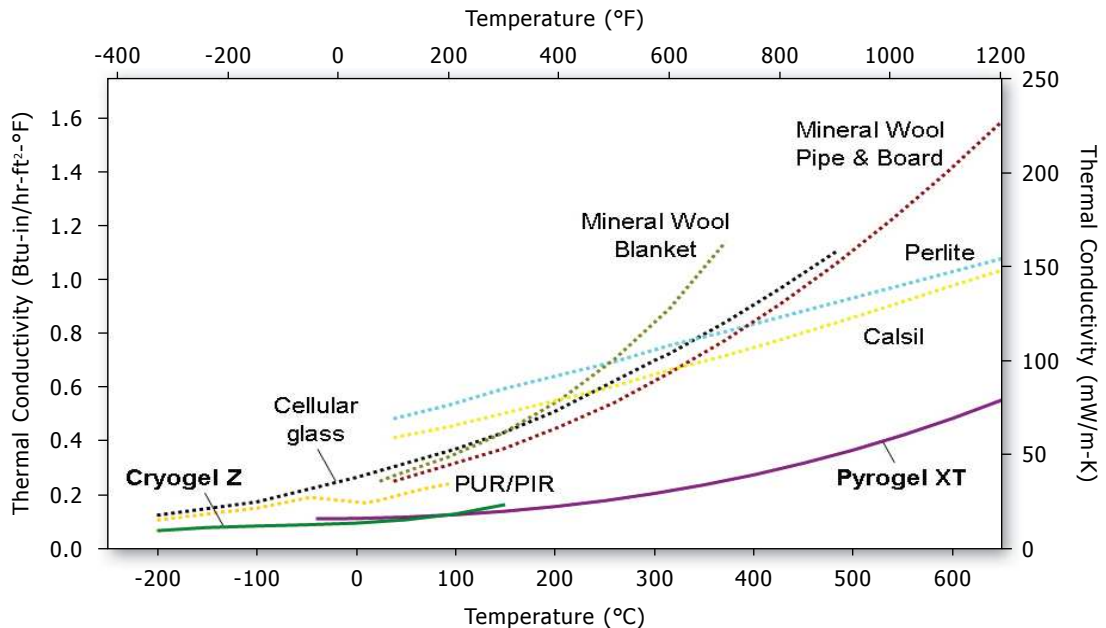
**Light Weight** - CryoWrap™ and PyroWrap™ lighter weight and smaller circumference requirements means reduced overall loading of pipe and equipment support systems.

Both products can be produced in longer lengths than traditional insulation thereby greatly improving installation times and allowing for easier, safer handling on the job site.

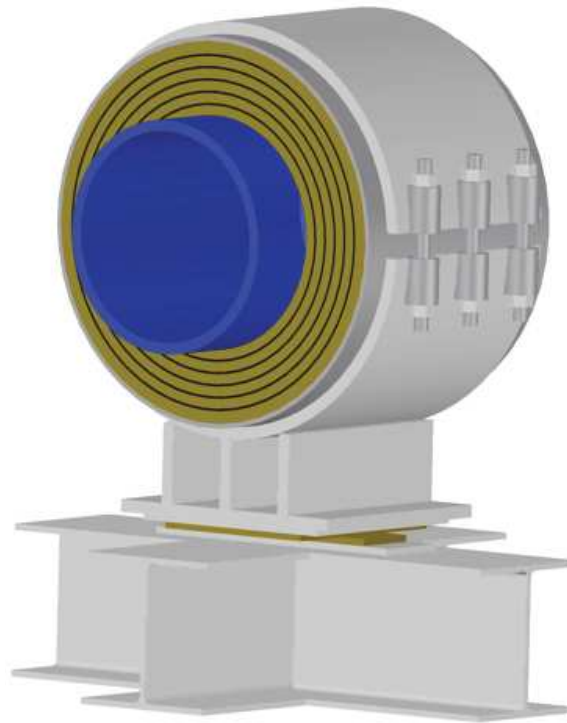
**Durable** - CryoWrap™ and PyroWrap™ are capable of resisting high impact loads from compression forces of hundreds of psi without sustaining damage or compromising performance. Unlike pipe supports utilizing rigid insulation which is friable and prone to cracking under loading, RILCO insulated pipe supports using CryoWrap™ and PyroWrap™ will not allow thermal leaks or moisture intrusion.

**Environmentally Friendly** – CryoWrap™ and PyroWrap™ are capable of adherence to the most exacting environmental regulations. Because the insulating aerogels are basically silica (sand) and contain no respirable fibers, CFC, HCFC and do not require blowing agents, they pose no chemical threat to the environment.

**Aerogel Insulation Materials Have the Lowest K-Value of Any Industrial Insulation**



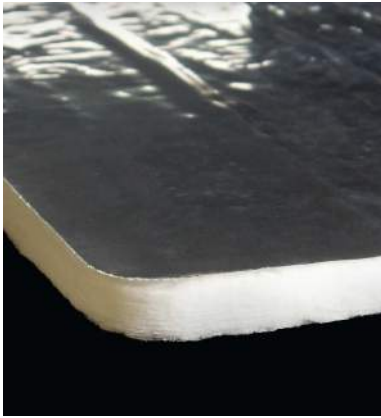
*CryoWrap*<sup>™</sup>  
Product information  
(US Customary)



*CryoWrap*<sup>™</sup>  
(US Customary)

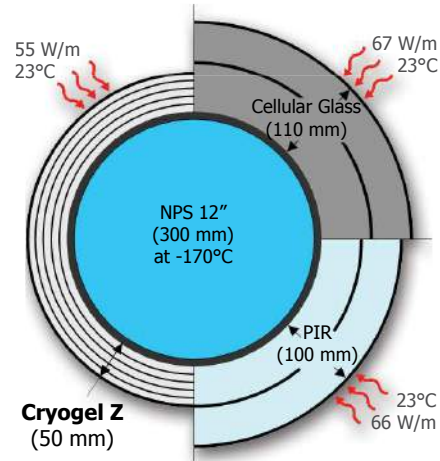
## RILCO CryoWrap™ for Cryogenic and Sub-Ambient Applications

**Service Temperature Ranges: -460°F (-270°C) to 195°F (90°C)**



CryoWrap™ pipe supports utilize Aspen Aerogel's Cryogel™ Z with an integral vapor barrier and are specifically engineered with 50%-75% less thickness, lighter weight and no water permeability.

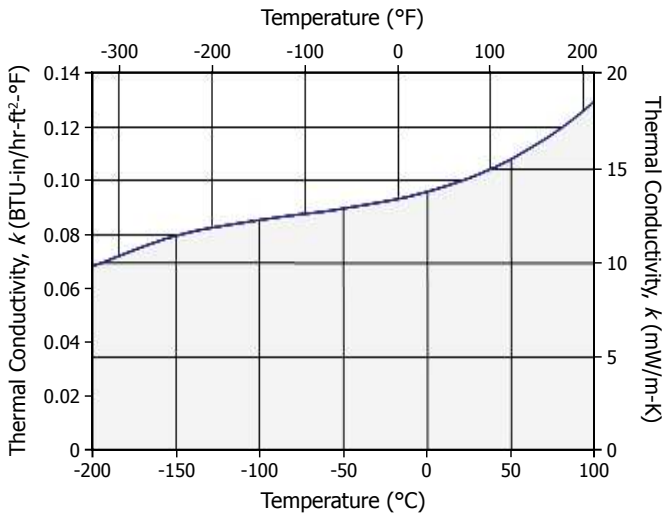
CryoWrap™ pipe supports provide unique properties which makes them the ultimate in thermal protection for cryogenic requirements. The extremely low thermal conductivity reduces heat gain and liquid “boil-off” with no water access or egress. While the superior resistant to mechanical abuse attests to the product’s durability, the smaller circumference eases installation and reduces labor costs.



All three designs meet the same condensation control criteria

### Thermal Conductivity†

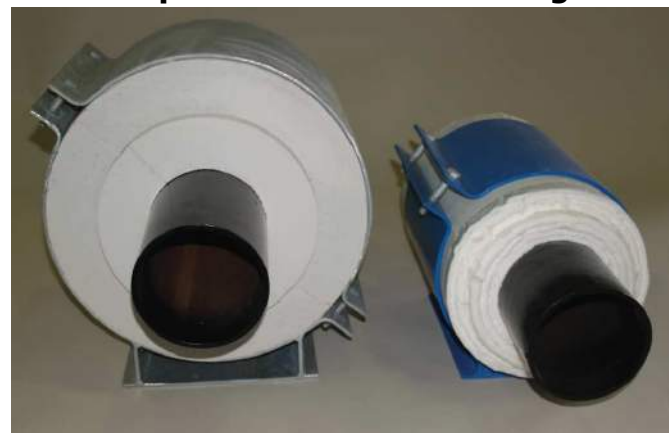
ASTM C 177 Results



Mean Temp. °C	-200	-150	-100	-50	0	50	100
°F	-328	-238	-148	-58	32	122	212
k mW/m-K	9.8	11.4	12.3	12.9	13.8	15.5	18.6
k BTU-in/hr-ft²-°F	0.0681	0.0793	0.0852	0.0894	0.0956	0.1076	0.1291

†Thermal conductivity measurements taken at a compressive load of 2 psi.

### Comparable Insulation Ratings



Polyurethane

CryoWrap™

### Physical Properties

<b>Thicknesses*</b>	0.20 in (5 mm)	0.40 in (10 mm)
<b>Material Form*</b>	57 in (1,450 mm) wide x 211 ft (64 m) long rolls	57 in (1,450 mm) wide x 126 ft (38 m) long rolls
<b>Max. Use Temp.</b>	194°F (90°C)	
<b>Color</b>	White	
<b>Density*</b>	8.0 lb/ft³ (0.13 g/cc)	
<b>Hydrophobic</b>	Yes	

\*Nominal Values



## RILCO CryoWrap™ - Properties

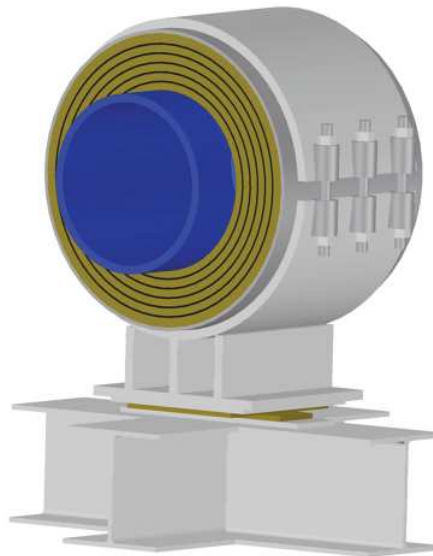
Service Temperature Ranges: -460°F (-270°C) to 195°F (90°C)

**Thermal Performance:** CryoWrap™ pipe supports have the lowest thermal conductivity of any support available for cryogenic or sub-ambient applications. They are much smaller in circumference than other supports, which means, a smaller surface area therefore reduced heat gain. In most instances condensation control thickness is sufficient to meet the desired heat gain limits. This heat gain “safety factor” maximizes system performance by improving process control, reducing boiloff and saving energy. The thermal performance remains constant due to the fact that there are no blowing agents to diffuse out.

**Moisture and Vapor Resistance:** CryoWrap™ pipe supports with their integral vapor barrier, provides the only zero permeable system available for cryogenic applications.

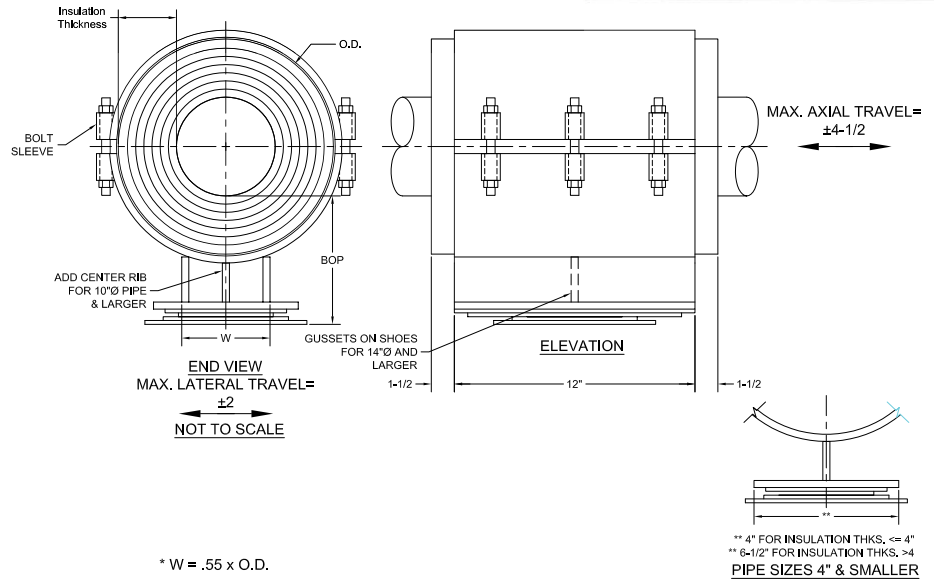
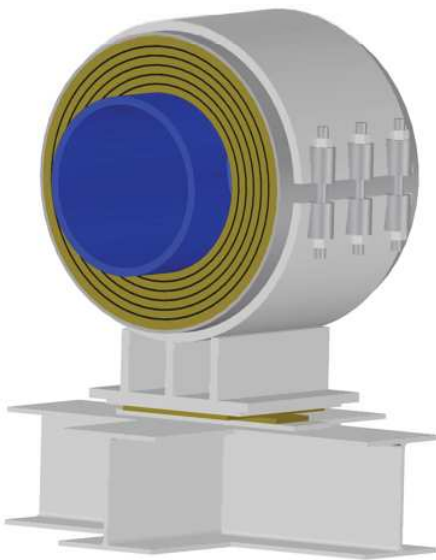
**Structural Integrity:** CryoWrap™ pipe supports are the only choice for sub-ambient and cryogenic applications because they remain flexible and experience no thermal shock. Therefore the usual issues of degraded insulation caused by contraction, extreme stresses, damaged structure and the typical freeze-thaw crack propagation problems encountered with the standard rigid cellular insulation mediums are no longer a concern.

**Dimensional Stability:** CryoWrap™ pipe supports allow minimal movement of the insulated system because of a coefficient of thermal expansion which rivals stainless steel. Their low contraction rate and flexibility eliminates the need for the labor intensive and more costly expansion/contraction joints required by other products.



### Specification Compliance and Performance

Test Procedure	Property	Results
ASTM C 165	Compressive Stress Strain	7.5 psi @ 10%, 25.0 psi @ 25%
ASTM C 871	Standard Specification for Thermal Insulation for Use in Contact With Austenitic Steel	PASS
ASTM C 1101	Flexibility	Flexible
ASTM C 1101	Flexibility at Cryogenic Temperature	Resilient Flexible
ASTM C 1104	Water Vapor Sorption	<1.1% (mass)
ASTM C 1511	Water Retention after Submersion in Water	<4% (mass)
ASTM E 84	Flame and Smoke Spread	Class A: FSI <5 SDI 20
ASTM E 96	Water Vapor Transmission Rate (with vapor barrier)	0.00 perm
ASTM E 228	Linear Coefficient of Thermal Expansion (@ -150°C)	x $1.26 \times 10^{-5} \text{ K}^{-1}$ y $1.34 \times 10^{-5} \text{ K}^{-1}$
UL 1709	Structural Steel Fire Protection	30 mm → 147 min    175 mm → 173 min 50 mm → 109 min    100 mm → 180+ min



Model & Size	Pipe size	Insulation Thk (mm)	Load (lb)	Insul OD (mm)	Plate THK	Bolt Dia.	BOP
CS-6111CW(1/2"x5)	1/2"	5	350	32	3/16"	3/8"	4"
CS-6111CW(1/2"x10)	1/2"	10	350	42	3/16"	3/8"	4"
CS-6111CW(1/2"x15)	1/2"	15	350	52	3/16"	3/8"	4"
CS-6111CW(1/2"x20)	1/2"	20	350	62	3/16"	3/8"	4"
CS-6111CW(1/2"x25)	1/2"	25	350	72	3/16"	3/8"	4"
CS-6111CW(1/2"x30)	1/2"	30	350	82	3/16"	3/8"	4"
CS-6111CW(1/2"x35)	1/2"	35	350	92	3/16"	3/8"	4"
CS-6111CW(1/2"x40)	1/2"	40	350	102	3/16"	3/8"	6"
CS-6111CW(1/2"x45)	1/2"	45	350	112	3/16"	3/8"	6"
CS-6111CW(1/2"x50)	1/2"	50	350	122	3/16"	3/8"	6"
CS-6111CW(1/2"x55)	1/2"	55	350	132	3/16"	3/8"	6"
CS-6111CW(1/2"x60)	1/2"	60	350	142	3/16"	3/8"	8"
CS-6111CW(1/2"x65)	1/2"	65	350	152	3/16"	3/8"	8"
CS-6111CW(1/2"x70)	1/2"	70	350	162	3/16"	3/8"	8"
CS-6111CW(3/4"x5)	3/4"	5	450	37	3/16"	3/8"	4"
CS-6111CW(3/4"x10)	3/4"	10	450	47	3/16"	3/8"	4"
CS-6111CW(3/4"x15)	3/4"	15	450	57	3/16"	3/8"	4"
CS-6111CW(3/4"x20)	3/4"	20	450	67	3/16"	3/8"	4"
CS-6111CW(3/4"x25)	3/4"	25	450	77	3/16"	3/8"	4"
CS-6111CW(3/4"x30)	3/4"	30	450	87	3/16"	3/8"	4"
CS-6111CW(3/4"x35)	3/4"	35	450	97	3/16"	3/8"	4"
CS-6111CW(3/4"x40)	3/4"	40	450	107	3/16"	3/8"	6"

(Continued on following pages)

**Applications and Features**

- Accommodates Axial Travel up to +/- 4-1/2" on center or 9" if shoe is offset from supporting steel.
- For Axial movements 4-1/2" and larger please contact RILCO.
- Accommodates Lateral Travel to +/-2"
- Temperature Range -460° F to 195° F.
- Higher Temperature Applications Available.
- Teflon Slide plates on shoe and supporting steel.
- Design loads based on safety factor of 5.

- A-36 steel construction.
- See technical Specification RHS-850
- Test results available upon request.
- Steel finish available in Galvanized or painted finishes.
- Support constructed in accordance with ASME B31.1, B31.3 and MSS-SP58.
- A307 or B7 plated bolts/studs.
- For special applications, or for information on other Insulation and Pipe sizes, contact Factory
- Utilizes RILCO proprietary low profile ears.



Model & Size	Pipe size	Insulation Thk (mm)	Load (lb)	Insul OD (mm)	Plate THK	Bolt Dia.	BOP
CS-6111CW(3/4"x45)	3/4"	45	450	117	3/16"	3/8"	6"
CS-6111CW(3/4"x50)	3/4"	50	450	127	3/16"	3/8"	6"
CS-6111CW(3/4"x55)	3/4"	55	450	137	3/16"	3/8"	6"
CS-6111CW(3/4"x60)	3/4"	60	450	147	3/16"	3/8"	8"
CS-6111CW(3/4"x65)	3/4"	65	450	157	3/16"	3/8"	8"
CS-6111CW(3/4"x70)	3/4"	70	450	167	3/16"	3/8"	8"
CS-6111CW(1"x5)	1"	5	600	44	3/16"	3/8"	4"
CS-6111CW(1"x10)	1"	10	600	54	3/16"	3/8"	4"
CS-6111CW(1"x15)	1"	15	600	64	3/16"	3/8"	4"
CS-6111CW(1"x20)	1"	20	600	74	3/16"	3/8"	4"
CS-6111CW(1"x25)	1"	25	600	84	3/16"	3/8"	4"
CS-6111CW(1"x30)	1"	30	600	94	3/16"	3/8"	4"
CS-6111CW(1"x35)	1"	35	600	104	3/16"	3/8"	4"
CS-6111CW(1"x40)	1"	40	600	114	3/16"	3/8"	6"
CS-6111CW(1"x45)	1"	45	600	124	3/16"	3/8"	6"
CS-6111CW(1"x50)	1"	50	600	134	3/16"	3/8"	6"
CS-6111CW(1"x55)	1"	55	600	144	3/16"	3/8"	6"
CS-6111CW(1"x60)	1"	60	600	154	3/16"	3/8"	8"
CS-6111CW(1"x65)	1"	65	600	164	3/16"	3/8"	8"
CS-6111CW(1"x70)	1"	70	600	174	3/16"	3/8"	8"
CS-6111CW(1-1/2"x5)	1-1/2"	5	870	59	1/4"	3/8"	4"
CS-6111CW(1-1/2"x10)	1-1/2"	10	870	69	1/4"	3/8"	4"
CS-6111CW(1-1/2"x15)	1-1/2"	15	870	79	1/4"	3/8"	4"
CS-6111CW(1-1/2"x20)	1-1/2"	20	870	89	1/4"	3/8"	4"
CS-6111CW(1-1/2"x25)	1-1/2"	25	870	99	1/4"	3/8"	4"
CS-6111CW(1-1/2"x30)	1-1/2"	30	870	109	1/4"	3/8"	4"
CS-6111CW(1-1/2"x35)	1-1/2"	35	870	119	1/4"	3/8"	4"
CS-6111CW(1-1/2"x40)	1-1/2"	40	870	129	1/4"	3/8"	6"
CS-6111CW(1-1/2"x45)	1-1/2"	45	870	139	1/4"	3/8"	6"
CS-6111CW(1-1/2"x50)	1-1/2"	50	870	149	1/4"	3/8"	6"
CS-6111CW(1-1/2"x55)	1-1/2"	55	870	159	1/4"	3/8"	6"
CS-6111CW(1-1/2"x60)	1-1/2"	60	870	169	1/4"	3/8"	8"
CS-6111CW(1-1/2"x65)	1-1/2"	65	870	179	1/4"	3/8"	8"
CS-6111CW(1-1/2"x70)	1-1/2"	70	870	189	1/4"	3/8"	8"
CS-6111CW(2"x5)	2"	5	1090	71	1/4"	3/8"	4"
CS-6111CW(2"x10)	2"	10	1090	81	1/4"	3/8"	4"
CS-6111CW(2"x15)	2"	15	1090	91	1/4"	3/8"	4"
CS-6111CW(2"x20)	2"	20	1090	101	1/4"	3/8"	4"
CS-6111CW(2"x25)	2"	25	1090	111	1/4"	3/8"	4"
CS-6111CW(2"x30)	2"	30	1090	121	1/4"	3/8"	4"
CS-6111CW(2"x35)	2"	35	1090	131	1/4"	3/8"	4"
CS-6111CW(2"x40)	2"	40	1090	141	1/4"	3/8"	6"
CS-6111CW(2"x45)	2"	45	1090	151	1/4"	3/8"	6"
CS-6111CW(2"x50)	2"	50	1090	161	1/4"	3/8"	6"
CS-6111CW(2"x55)	2"	55	1090	171	1/4"	3/8"	6"
CS-6111CW(2"x60)	2"	60	1090	181	1/4"	3/8"	8"
CS-6111CW(2"x65)	2"	65	1090	191	1/4"	3/8"	8"
CS-6111CW(2"x70)	2"	70	1090	201	1/4"	3/8"	8"
CS-6111CW(2-1/2"x5)	2-1/2"	5	1310	84	1/4"	1/2"	4"
CS-6111CW(2-1/2"x10)	2-1/2"	10	1310	94	1/4"	1/2"	4"
CS-6111CW(2-1/2"x15)	2-1/2"	15	1310	104	1/4"	1/2"	4"
CS-6111CW(2-1/2"x20)	2-1/2"	20	1310	114	1/4"	1/2"	4"
CS-6111CW(2-1/2"x25)	2-1/2"	25	1310	124	1/4"	1/2"	4"
CS-6111CW(2-1/2"x30)	2-1/2"	30	1310	134	1/4"	1/2"	4"





Model & Size	Pipe size	Insulation Thk (mm)	Load (lb)	Insul OD (mm)	Plate THK	Bolt Dia.	BOP
CS-6111CW(2-1/2"x35)	2-1/2"	35	1310	144	1/4"	1/2"	4"
CS-6111CW(2-1/2"x40)	2-1/2"	40	1310	154	1/4"	1/2"	6"
CS-6111CW(2-1/2"x45)	2-1/2"	45	1310	164	1/4"	1/2"	6"
CS-6111CW(2-1/2"x50)	2-1/2"	50	1310	174	1/4"	1/2"	6"
CS-6111CW(2-1/2"x55)	2-1/2"	55	1310	184	1/4"	1/2"	6"
CS-6111CW(2-1/2"x60)	2-1/2"	60	1310	194	1/4"	1/2"	8"
CS-6111CW(2-1/2"x65)	2-1/2"	65	1310	204	1/4"	1/2"	8"
CS-6111CW(2-1/2"x70)	2-1/2"	70	1310	214	1/4"	1/2"	8"
CS-6111CW(3"x5)	3"	5	1600	99	1/4"	1/2"	4"
CS-6111CW(3"x10)	3"	10	1600	109	1/4"	1/2"	4"
CS-6111CW(3"x15)	3"	15	1600	119	1/4"	1/2"	4"
CS-6111CW(3"x20)	3"	20	1600	129	1/4"	1/2"	4"
CS-6111CW(3"x25)	3"	25	1600	139	1/4"	1/2"	4"
CS-6111CW(3"x30)	3"	30	1600	149	1/4"	1/2"	4"
CS-6111CW(3"x35)	3"	35	1600	159	1/4"	1/2"	4"
CS-6111CW(3"x40)	3"	40	1600	169	1/4"	1/2"	6"
CS-6111CW(3"x45)	3"	45	1600	179	1/4"	1/2"	6"
CS-6111CW(3"x50)	3"	50	1600	189	1/4"	1/2"	6"
CS-6111CW(3"x55)	3"	55	1600	199	1/4"	1/2"	6"
CS-6111CW(3"x60)	3"	60	1600	209	1/4"	1/2"	8"
CS-6111CW(3"x65)	3"	65	1600	219	1/4"	1/2"	8"
CS-6111CW(3"x70)	3"	70	1600	229	1/4"	1/2"	8"
CS-6111CW(4"x5)	4"	5	2500	125	3/8"	1/2"	4"
CS-6111CW(4"x10)	4"	10	2500	135	3/8"	1/2"	4"
CS-6111CW(4"x15)	4"	15	2500	145	3/8"	1/2"	4"
CS-6111CW(4"x20)	4"	20	2500	155	3/8"	1/2"	4"
CS-6111CW(4"x30)	4"	30	2500	175	3/8"	1/2"	4"
CS-6111CW(4"x40)	4"	40	2500	195	3/8"	1/2"	4"
CS-6111CW(4"x50)	4"	50	2500	215	3/8"	1/2"	4"
CS-6111CW(4"x60)	4"	60	2500	235	3/8"	1/2"	6"
CS-6111CW(4"x70)	4"	70	2500	255	3/8"	1/2"	6"
CS-6111CW(4"x80)	4"	80	2500	275	3/8"	1/2"	6"
CS-6111CW(4"x90)	4"	90	2500	295	3/8"	1/2"	6"
CS-6111CW(4"x100)	4"	100	2500	315	3/8"	1/2"	6"
CS-6111CW(5"x5)	5"	5	3100	152	3/8"	1/2"	4"
CS-6111CW(5"x10)	5"	10	3100	162	3/8"	1/2"	4"
CS-6111CW(5"x15)	5"	15	3100	172	3/8"	1/2"	4"
CS-6111CW(5"x20)	5"	20	3100	182	3/8"	1/2"	4"
CS-6111CW(5"x30)	5"	30	3100	202	3/8"	1/2"	4"
CS-6111CW(5"x40)	5"	40	3100	222	3/8"	1/2"	4"
CS-6111CW(5"x50)	5"	50	3100	242	3/8"	1/2"	4"
CS-6111CW(5"x60)	5"	60	3100	262	3/8"	1/2"	6"
CS-6111CW(5"x70)	5"	70	3100	282	3/8"	1/2"	6"
CS-6111CW(5"x80)	5"	80	3100	302	3/8"	1/2"	6"
CS-6111CW(5"x90)	5"	90	3100	322	3/8"	1/2"	6"
CS-6111CW(5"x100)	5"	100	3100	342	3/8"	1/2"	6"
CS-6111CW(6"x5)	6"	5	3800	179	3/8"	1/2"	4"
CS-6111CW(6"x10)	6"	10	3800	189	3/8"	1/2"	4"
CS-6111CW(6"x15)	6"	15	3800	199	3/8"	1/2"	4"
CS-6111CW(6"x20)	6"	20	3800	209	3/8"	1/2"	4"
CS-6111CW(6"x30)	6"	30	3800	229	3/8"	1/2"	4"
CS-6111CW(6"x40)	6"	40	3800	249	3/8"	1/2"	4"
CS-6111CW(6"x50)	6"	50	3800	269	3/8"	1/2"	4"
CS-6111CW(6"x60)	6"	60	3800	289	3/8"	1/2"	6"



Model & Size	Pipe size	Insulation Thk (mm)	Load (lb)	Insul OD (mm)	Plate THK	Bolt Dia.	BOP
CS-6111CW(6"x70)	6"	70	3800	309	3/8"	1/2"	6"
CS-6111CW(6"x80)	6"	80	3800	329	3/8"	1/2"	6"
CS-6111CW(6"x90)	6"	90	3800	349	3/8"	1/2"	6"
CS-6111CW(6"x100)	6"	100	3800	369	3/8"	1/2"	6"
CS-6111CW(8"x5)	8"	5	5100	230	3/8"	1/2"	4"
CS-6111CW(8"x10)	8"	10	5100	240	3/8"	1/2"	4"
CS-6111CW(8"x15)	8"	15	5100	250	3/8"	1/2"	4"
CS-6111CW(8"x20)	8"	20	5100	260	3/8"	1/2"	4"
CS-6111CW(8"x30)	8"	30	5100	280	3/8"	1/2"	4"
CS-6111CW(8"x40)	8"	40	5100	300	3/8"	1/2"	4"
CS-6111CW(8"x50)	8"	50	5100	320	3/8"	1/2"	6"
CS-6111CW(8"x60)	8"	60	5100	340	3/8"	1/2"	6"
CS-6111CW(8"x70)	8"	70	5100	360	3/8"	1/2"	6"
CS-6111CW(8"x80)	8"	80	5100	380	3/8"	1/2"	6"
CS-6111CW(8"x90)	8"	90	5100	400	3/8"	1/2"	6"
CS-6111CW(8"x100)	8"	100	5100	420	3/8"	1/2"	6"
CS-6111CW(10"x5)	10"	5	6000	284	3/8"	1/2"	4"
CS-6111CW(10"x10)	10"	10	6000	294	3/8"	1/2"	4"
CS-6111CW(10"x15)	10"	15	6000	304	3/8"	1/2"	4"
CS-6111CW(10"x20)	10"	20	6000	314	3/8"	1/2"	4"
CS-6111CW(10"x30)	10"	30	6000	334	3/8"	1/2"	4"
CS-6111CW(10"x40)	10"	40	6000	354	3/8"	1/2"	4"
CS-6111CW(10"x50)	10"	50	6000	374	3/8"	1/2"	6"
CS-6111CW(10"x60)	10"	60	6000	394	3/8"	1/2"	6"
CS-6111CW(10"x70)	10"	70	6000	414	3/8"	1/2"	6"
CS-6111CW(10"x80)	10"	80	6000	434	3/8"	1/2"	6"
CS-6111CW(10"x90)	10"	90	6000	454	3/8"	1/2"	6"
CS-6111CW(10"x100)	10"	100	6000	474	3/8"	1/2"	6"
CS-6111CW(12"x5)	12"	5	6600	334	3/8"	5/8"	4"
CS-6111CW(12"x10)	12"	10	6600	344	3/8"	5/8"	4"
CS-6111CW(12"x15)	12"	15	6600	354	3/8"	5/8"	4"
CS-6111CW(12"x20)	12"	20	6600	364	3/8"	5/8"	4"
CS-6111CW(12"x30)	12"	30	6600	384	3/8"	5/8"	4"
CS-6111CW(12"x40)	12"	40	6600	404	3/8"	5/8"	4"
CS-6111CW(12"x50)	12"	50	6600	424	3/8"	5/8"	6"
CS-6111CW(12"x60)	12"	60	6600	444	3/8"	5/8"	6"
CS-6111CW(12"x70)	12"	70	6600	464	3/8"	5/8"	6"
CS-6111CW(12"x80)	12"	80	6600	484	3/8"	5/8"	6"
CS-6111CW(12"x90)	12"	90	6600	504	3/8"	5/8"	6"
CS-6111CW(12"x100)	12"	100	6600	524	3/8"	5/8"	6"
CS-6111CW(14"x5)	14"	5	7500	366	3/8"	5/8"	4"
CS-6111CW(14"x10)	14"	10	7500	376	3/8"	5/8"	4"
CS-6111CW(14"x15)	14"	15	7500	386	3/8"	5/8"	4"
CS-6111CW(14"x20)	14"	20	7500	396	3/8"	5/8"	4"
CS-6111CW(14"x30)	14"	30	7500	416	3/8"	5/8"	4"
CS-6111CW(14"x40)	14"	40	7500	436	3/8"	5/8"	4"
CS-6111CW(14"x50)	14"	50	7500	456	3/8"	5/8"	6"
CS-6111CW(14"x60)	14"	60	7500	476	3/8"	5/8"	6"
CS-6111CW(14"x70)	14"	70	7500	496	3/8"	5/8"	6"
CS-6111CW(14"x80)	14"	80	7500	516	3/8"	5/8"	6"
CS-6111CW(14"x90)	14"	90	7500	536	3/8"	5/8"	6"
CS-6111CW(14"x100)	14"	100	7500	556	3/8"	5/8"	6"
CS-6111CW(16"x5)	16"	5	8700	417	3/8"	5/8"	4"
CS-6111CW(16"x10)	16"	10	8700	427	3/8"	5/8"	4"



Model & Size	Pipe size	Insulation Thk (mm)	Load (lb)	Insul OD (mm)	Plate THK	Bolt Dia.	BOP
CS-6111CW(16"x15)	16"	15	8700	437	3/8"	5/8"	4"
CS-6111CW(16"x20)	16"	20	8700	447	3/8"	5/8"	4"
CS-6111CW(16"x30)	16"	30	8700	467	3/8"	5/8"	4"
CS-6111CW(16"x40)	16"	40	8700	487	3/8"	5/8"	6"
CS-6111CW(16"x50)	16"	50	8700	507	3/8"	5/8"	6"
CS-6111CW(16"x60)	16"	60	8700	527	3/8"	5/8"	6"
CS-6111CW(16"x70)	16"	70	8700	547	3/8"	5/8"	6"
CS-6111CW(16"x80)	16"	80	8700	567	3/8"	5/8"	8"
CS-6111CW(16"x90)	16"	90	8700	587	3/8"	5/8"	8"
CS-6111CW(16"x100)	16"	100	8700	607	3/8"	5/8"	8"
CS-6111CW(18"x5)	18"	5	9600	468	3/8"	5/8"	4"
CS-6111CW(18"x10)	18"	10	9600	478	3/8"	5/8"	4"
CS-6111CW(18"x15)	18"	15	9600	488	3/8"	5/8"	4"
CS-6111CW(18"x20)	18"	20	9600	498	3/8"	5/8"	4"
CS-6111CW(18"x30)	18"	30	9600	518	3/8"	5/8"	4"
CS-6111CW(18"x40)	18"	40	9600	538	3/8"	5/8"	6"
CS-6111CW(18"x50)	18"	50	9600	558	3/8"	5/8"	6"
CS-6111CW(18"x60)	18"	60	9600	578	3/8"	5/8"	6"
CS-6111CW(18"x70)	18"	70	9600	598	3/8"	5/8"	6"
CS-6111CW(18"x80)	18"	80	9600	618	3/8"	5/8"	8"
CS-6111CW(18"x90)	18"	90	9600	638	3/8"	5/8"	8"
CS-6111CW(18"x100)	18"	100	9600	658	3/8"	5/8"	8"
CS-6111CW(20"x5)	20"	5	10200	518	3/8"	5/8"	4"
CS-6111CW(20"x10)	20"	10	10200	528	3/8"	5/8"	4"
CS-6111CW(20"x15)	20"	15	10200	538	3/8"	5/8"	4"
CS-6111CW(20"x20)	20"	20	10200	548	3/8"	5/8"	4"
CS-6111CW(20"x30)	20"	30	10200	568	3/8"	5/8"	4"
CS-6111CW(20"x40)	20"	40	10200	588	3/8"	5/8"	6"
CS-6111CW(20"x50)	20"	50	10200	608	3/8"	5/8"	6"
CS-6111CW(20"x60)	20"	60	10200	628	3/8"	5/8"	6"
CS-6111CW(20"x70)	20"	70	10200	648	3/8"	5/8"	6"
CS-6111CW(20"x80)	20"	80	10200	668	3/8"	5/8"	8"
CS-6111CW(20"x90)	20"	90	10200	688	3/8"	5/8"	8"
CS-6111CW(20"x100)	20"	100	10200	708	3/8"	5/8"	8"
CS-6111CW(24"x5)	24"	5	10800	620	3/8"	3/4"	4"
CS-6111CW(24"x10)	24"	10	10800	630	3/8"	3/4"	4"
CS-6111CW(24"x15)	24"	15	10800	640	3/8"	3/4"	4"
CS-6111CW(24"x20)	24"	20	10800	650	3/8"	3/4"	4"
CS-6111CW(24"x30)	24"	30	10800	670	3/8"	3/4"	4"
CS-6111CW(24"x40)	24"	40	10800	690	3/8"	3/4"	6"
CS-6111CW(24"x50)	24"	50	10800	710	3/8"	3/4"	6"
CS-6111CW(24"x60)	24"	60	10800	730	3/8"	3/4"	6"
CS-6111CW(24"x70)	24"	70	10800	750	3/8"	3/4"	6"
CS-6111CW(24"x80)	24"	80	10800	770	3/8"	3/4"	8"
CS-6111CW(24"x90)	24"	90	10800	790	3/8"	3/4"	8"
CS-6111CW(24"x100)	24"	100	10800	810	3/8"	3/4"	8"
CS-6111CW(30"x5)	30"	5	14100	772	1/2"	3/4"	4"
CS-6111CW(30"x10)	30"	10	14100	782	1/2"	3/4"	4"
CS-6111CW(30"x15)	30"	15	14100	792	1/2"	3/4"	4"
CS-6111CW(30"x20)	30"	20	14100	802	1/2"	3/4"	4"
CS-6111CW(30"x30)	30"	30	14100	822	1/2"	3/4"	6"
CS-6111CW(30"x40)	30"	40	14100	842	1/2"	3/4"	6"
CS-6111CW(30"x50)	30"	50	14100	862	1/2"	3/4"	6"
CS-6111CW(30"x60)	30"	60	14100	882	1/2"	3/4"	6"





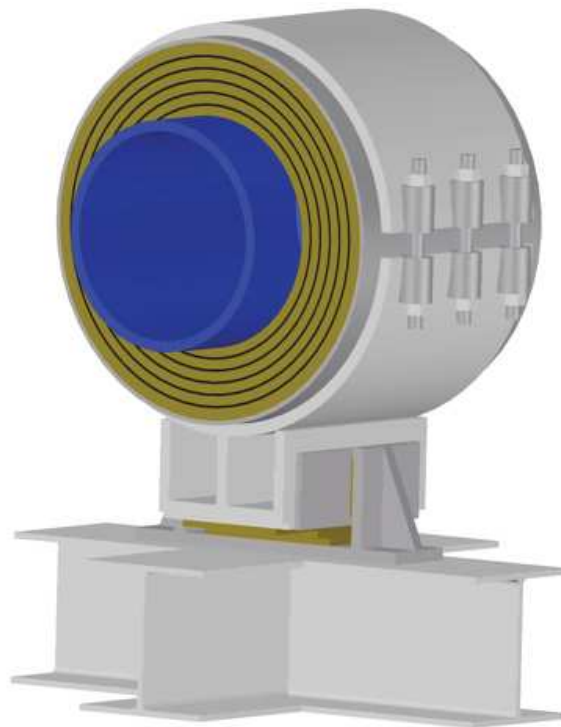
Model & Size	Pipe size	Insulation Thk (mm)	Load (lb)	Insul OD (mm)	Plate THK	Bolt Dia.	BOP
CS-6111CW(30"x70)	30"	70	14100	902	1/2"	3/4"	6"
CS-6111CW(30"x80)	30"	80	14100	922	1/2"	3/4"	8"
CS-6111CW(30"x90)	30"	90	14100	942	1/2"	3/4"	8"
CS-6111CW(30"x100)	30"	100	14100	962	1/2"	3/4"	8"
CS-6111CW(36"x5)	36"	5	16500	925	1/2"	3/4"	4"
CS-6111CW(36"x10)	36"	10	16500	935	1/2"	3/4"	4"
CS-6111CW(36"x15)	36"	15	16500	945	1/2"	3/4"	4"
CS-6111CW(36"x20)	36"	20	16500	955	1/2"	3/4"	4"
CS-6111CW(36"x30)	36"	30	16500	975	1/2"	3/4"	6"
CS-6111CW(36"x40)	36"	40	16500	995	1/2"	3/4"	6"
CS-6111CW(36"x50)	36"	50	16500	1015	1/2"	3/4"	6"
CS-6111CW(36"x60)	36"	60	16500	1035	1/2"	3/4"	6"
CS-6111CW(36"x70)	36"	70	16500	1055	1/2"	3/4"	6"
CS-6111CW(36"x80)	36"	80	16500	1075	1/2"	3/4"	8"
CS-6111CW(36"x90)	36"	90	16500	1095	1/2"	3/4"	8"
CS-6111CW(36"x100)	36"	100	16500	1115	1/2"	3/4"	8"
CS-6111CW(42"x5)	42"	5	16500	1077	1/2"	3/4"	4"
CS-6111CW(42"x10)	42"	10	16500	1087	1/2"	3/4"	4"
CS-6111CW(42"x15)	42"	15	16500	1097	1/2"	3/4"	4"
CS-6111CW(42"x20)	42"	20	16500	1107	1/2"	3/4"	4"
CS-6111CW(42"x30)	42"	30	16500	1127	1/2"	3/4"	6"
CS-6111CW(42"x40)	42"	40	16500	1147	1/2"	3/4"	6"
CS-6111CW(42"x50)	42"	50	16500	1167	1/2"	3/4"	6"
CS-6111CW(42"x60)	42"	60	16500	1187	1/2"	3/4"	6"
CS-6111CW(42"x70)	42"	70	16500	1207	1/2"	3/4"	6"
CS-6111CW(42"x80)	42"	80	16500	1227	1/2"	3/4"	8"
CS-6111CW(42"x90)	42"	90	16500	1247	1/2"	3/4"	8"
CS-6111CW(42"x100)	42"	100	16500	1267	1/2"	3/4"	8"



# CryoWrap<sup>TM</sup>

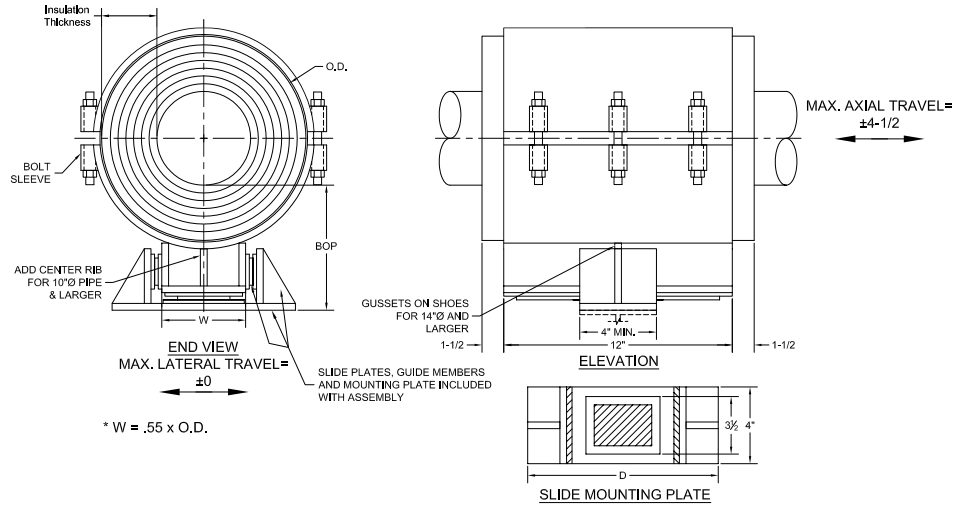
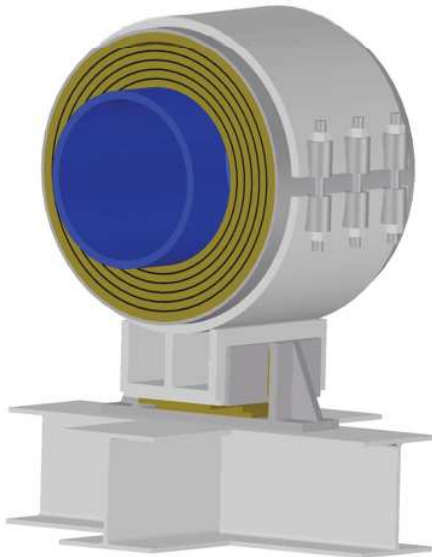
## Cold Guide

### Engineering Data



**CryoWrap<sup>TM</sup> Guides**  
**(US Customary)**





Model & Size	Pipe size	Insulation Thk (mm)	Load (lb)	Insul OD (mm)	Plate THK	Bolt Dia.	BOP	D
CG-6111CW(1/2"x5)	1/2"	5	375	32	3/16"	3/8"	4"	5-7/8"
CG-6111CW(1/2"x10)	1/2"	10	375	42	3/16"	3/8"	4"	6-1/8"
CG-6111CW(1/2"x15)	1/2"	15	375	52	3/16"	3/8"	4"	6-5/16"
CG-6111CW(1/2"x20)	1/2"	20	375	62	3/16"	3/8"	4"	6-9/16"
CG-6111CW(1/2"x25)	1/2"	25	375	72	3/16"	3/8"	4"	6-3/4"
CG-6111CW(1/2"x30)	1/2"	30	375	82	3/16"	3/8"	4"	7"
CG-6111CW(1/2"x35)	1/2"	35	375	92	3/16"	3/8"	4"	7-3/16"
CG-6111CW(1/2"x40)	1/2"	40	375	102	3/16"	3/8"	6"	7-7/16"
CG-6111CW(1/2"x45)	1/2"	45	375	112	3/16"	3/8"	6"	7-5/8"
CG-6111CW(1/2"x50)	1/2"	50	375	122	3/16"	3/8"	6"	7-7/8"
CG-6111CW(1/2"x55)	1/2"	55	375	132	3/16"	3/8"	6"	8-1/16"
CG-6111CW(1/2"x60)	1/2"	60	375	142	3/16"	3/8"	8"	8-1/4"
CG-6111CW(1/2"x65)	1/2"	65	375	152	3/16"	3/8"	8"	8-1/2"
CG-6111CW(1/2"x70)	1/2"	70	375	162	3/16"	3/8"	8"	8-11/16"
CG-6111CW(3/4"x5)	3/4"	5	465	37	3/16"	3/8"	4"	6"
CG-6111CW(3/4"x10)	3/4"	10	465	47	3/16"	3/8"	4"	6-1/4"
CG-6111CW(3/4"x15)	3/4"	15	465	57	3/16"	3/8"	4"	6-7/16"
CG-6111CW(3/4"x20)	3/4"	20	465	67	3/16"	3/8"	4"	6-11/16"
CG-6111CW(3/4"x25)	3/4"	25	465	77	3/16"	3/8"	4"	6-7/8"
CG-6111CW(3/4"x30)	3/4"	30	465	87	3/16"	3/8"	4"	7-1/8"
CG-6111CW(3/4"x35)	3/4"	35	465	97	3/16"	3/8"	4"	7-5/16"
CG-6111CW(3/4"x40)	3/4"	40	465	107	3/16"	3/8"	6"	7-1/2"

(Continued on following pages)

**Applications and Features**

- Accommodates Axial Travel up to +/- 4-1/2" on center or 9" if shoe is offset from supporting steel.
- For Axial movements 4-1/2" and larger please contact RILCO.
- Temperature Range -460° F to 195° F.
- Higher Temperature Applications Available.
- Teflon Slide plates on shoe and supporting steel.
- Design loads based on safety factor of 5.
- Supports lateral guide loads up to 50% of actual vertical load.

- A-36 steel construction.
- See technical Specification RHS-850
- Test results available upon request.
- Steel finish available in Galvanized or painted finishes.
- Support constructed in accordance with ASME B31.1, B31.3 and MSS-SP58.
- A307 or B7 plated bolts/studs.
- For special applications, or for information on other Insulation and Pipe sizes, contact Factory
- Utilizes RILCO proprietary low profile ears.



Model & Size	Pipe size	Insulation Thk (mm)	Load (lb)	Insul OD (mm)	Plate THK	Bolt Dia.	BOP	D
CG-6111CW(3/4"x45)	3/4"	45	465	117	3/16"	3/8"	6"	7-3/4"
CG-6111CW(3/4"x50)	3/4"	50	465	127	3/16"	3/8"	6"	7-15/16"
CG-6111CW(3/4"x55)	3/4"	55	465	137	3/16"	3/8"	6"	8-3/16"
CG-6111CW(3/4"x60)	3/4"	60	465	147	3/16"	3/8"	8"	8-3/8"
CG-6111CW(3/4"x65)	3/4"	65	465	157	3/16"	3/8"	8"	8-5/8"
CG-6111CW(3/4"x70)	3/4"	70	465	167	3/16"	3/8"	8"	8-13/16"
CG-6111CW(1"x5)	1"	5	600	44	3/16"	3/8"	4"	6-3/16"
CG-6111CW(1"x10)	1"	10	600	54	3/16"	3/8"	4"	6-3/8"
CG-6111CW(1"x15)	1"	15	600	64	3/16"	3/8"	4"	6-9/16"
CG-6111CW(1"x20)	1"	20	600	74	3/16"	3/8"	4"	6-13/16"
CG-6111CW(1"x25)	1"	25	600	84	3/16"	3/8"	4"	7"
CG-6111CW(1"x30)	1"	30	600	94	3/16"	3/8"	4"	7-1/4"
CG-6111CW(1"x35)	1"	35	600	104	3/16"	3/8"	4"	7-7/16"
CG-6111CW(1"x40)	1"	40	600	114	3/16"	3/8"	6"	7-11/16"
CG-6111CW(1"x45)	1"	45	600	124	3/16"	3/8"	6"	7-7/8"
CG-6111CW(1"x50)	1"	50	600	134	3/16"	3/8"	6"	8-1/8"
CG-6111CW(1"x55)	1"	55	600	144	3/16"	3/8"	6"	8-5/16"
CG-6111CW(1"x60)	1"	60	600	154	3/16"	3/8"	8"	8-9/16"
CG-6111CW(1"x65)	1"	65	600	164	3/16"	3/8"	8"	8-3/4"
CG-6111CW(1"x70)	1"	70	600	174	3/16"	3/8"	8"	9"
CG-6111CW(1-1/2"x5)	1-1/2"	5	870	59	1/4"	3/8"	4"	6-5/8"
CG-6111CW(1-1/2"x10)	1-1/2"	10	870	69	1/4"	3/8"	4"	6-13/16"
CG-6111CW(1-1/2"x15)	1-1/2"	15	870	79	1/4"	3/8"	4"	7-1/16"
CG-6111CW(1-1/2"x20)	1-1/2"	20	870	89	1/4"	3/8"	4"	7-1/4"
CG-6111CW(1-1/2"x25)	1-1/2"	25	870	99	1/4"	3/8"	4"	7-1/2"
CG-6111CW(1-1/2"x30)	1-1/2"	30	870	109	1/4"	3/8"	4"	7-11/16"
CG-6111CW(1-1/2"x35)	1-1/2"	35	870	119	1/4"	3/8"	4"	7-7/8"
CG-6111CW(1-1/2"x40)	1-1/2"	40	870	129	1/4"	3/8"	6"	8-1/8"
CG-6111CW(1-1/2"x45)	1-1/2"	45	870	139	1/4"	3/8"	6"	8-5/16"
CG-6111CW(1-1/2"x50)	1-1/2"	50	870	149	1/4"	3/8"	6"	8-9/16"
CG-6111CW(1-1/2"x55)	1-1/2"	55	870	159	1/4"	3/8"	6"	8-3/4"
CG-6111CW(1-1/2"x60)	1-1/2"	60	870	169	1/4"	3/8"	8"	9"
CG-6111CW(1-1/2"x65)	1-1/2"	65	870	179	1/4"	3/8"	8"	9-3/16"
CG-6111CW(1-1/2"x70)	1-1/2"	70	870	189	1/4"	3/8"	8"	9-7/16"
CG-6111CW(2"x5)	2"	5	1005	71	1/4"	3/8"	4"	6-7/8"
CG-6111CW(2"x10)	2"	10	1005	81	1/4"	3/8"	4"	7-1/16"
CG-6111CW(2"x15)	2"	15	1005	91	1/4"	3/8"	4"	7-5/16"
CG-6111CW(2"x20)	2"	20	1005	101	1/4"	3/8"	4"	7-1/2"
CG-6111CW(2"x25)	2"	25	1005	111	1/4"	3/8"	4"	7-3/4"
CG-6111CW(2"x30)	2"	30	1005	121	1/4"	3/8"	4"	7-15/16"
CG-6111CW(2"x35)	2"	35	1005	131	1/4"	3/8"	4"	8-3/16"
CG-6111CW(2"x40)	2"	40	1005	141	1/4"	3/8"	6"	8-3/8"
CG-6111CW(2"x45)	2"	45	1005	151	1/4"	3/8"	6"	8-5/8"
CG-6111CW(2"x50)	2"	50	1005	161	1/4"	3/8"	6"	8-13/16"
CG-6111CW(2"x55)	2"	55	1005	171	1/4"	3/8"	6"	9-1/16"
CG-6111CW(2"x60)	2"	60	1005	181	1/4"	3/8"	8"	9-1/4"
CG-6111CW(2"x65)	2"	65	1005	191	1/4"	3/8"	8"	9-7/16"
CG-6111CW(2"x70)	2"	70	1005	201	1/4"	3/8"	8"	9-11/16"
CG-6111CW(2-1/2"x5)	2-1/2"	5	1230	84	1/4"	1/2"	4"	7-1/8"
CG-6111CW(2-1/2"x10)	2-1/2"	10	1230	94	1/4"	1/2"	4"	7-3/8"
CG-6111CW(2-1/2"x15)	2-1/2"	15	1230	104	1/4"	1/2"	4"	7-9/16"
CG-6111CW(2-1/2"x20)	2-1/2"	20	1230	114	1/4"	1/2"	4"	7-13/16"
CG-6111CW(2-1/2"x25)	2-1/2"	25	1230	124	1/4"	1/2"	4"	8"
CG-6111CW(2-1/2"x30)	2-1/2"	30	1230	134	1/4"	1/2"	4"	8-1/4"



Model & Size	Pipe size	Insulation Thk (mm)	Load (lb)	Insul OD (mm)	Plate THK	Bolt Dia.	BOP	D
CG-6111CW(2-1/2"x35)	2-1/2"	35	1230	144	1/4"	1/2"	4"	8-7/16"
CG-6111CW(2-1/2"x40)	2-1/2"	40	1230	154	1/4"	1/2"	6"	8-11/16"
CG-6111CW(2-1/2"x45)	2-1/2"	45	1230	164	1/4"	1/2"	6"	8-7/8"
CG-6111CW(2-1/2"x50)	2-1/2"	50	1230	174	1/4"	1/2"	6"	9-1/16"
CG-6111CW(2-1/2"x55)	2-1/2"	55	1230	184	1/4"	1/2"	6"	9-5/16"
CG-6111CW(2-1/2"x60)	2-1/2"	60	1230	194	1/4"	1/2"	8"	9-1/2"
CG-6111CW(2-1/2"x65)	2-1/2"	65	1230	204	1/4"	1/2"	8"	9-3/4"
CG-6111CW(2-1/2"x70)	2-1/2"	70	1230	214	1/4"	1/2"	8"	9-15/16"
CG-6111CW(3"x5)	3"	5	1425	99	1/4"	1/2"	4"	7-1/2"
CG-6111CW(3"x10)	3"	10	1425	109	1/4"	1/2"	4"	7-11/16"
CG-6111CW(3"x15)	3"	15	1425	119	1/4"	1/2"	4"	7-15/16"
CG-6111CW(3"x20)	3"	20	1425	129	1/4"	1/2"	4"	8-1/8"
CG-6111CW(3"x25)	3"	25	1425	139	1/4"	1/2"	4"	8-3/8"
CG-6111CW(3"x30)	3"	30	1425	149	1/4"	1/2"	4"	8-9/16"
CG-6111CW(3"x35)	3"	35	1425	159	1/4"	1/2"	4"	8-13/16"
CG-6111CW(3"x40)	3"	40	1425	169	1/4"	1/2"	6"	9"
CG-6111CW(3"x45)	3"	45	1425	179	1/4"	1/2"	6"	9-3/16"
CG-6111CW(3"x50)	3"	50	1425	189	1/4"	1/2"	6"	9-7/16"
CG-6111CW(3"x55)	3"	55	1425	199	1/4"	1/2"	6"	9-5/8"
CG-6111CW(3"x60)	3"	60	1425	209	1/4"	1/2"	8"	9-7/8"
CG-6111CW(3"x65)	3"	65	1425	219	1/4"	1/2"	8"	10-1/16"
CG-6111CW(3"x70)	3"	70	1425	229	1/4"	1/2"	8"	10-5/16"
CG-6111CW(4"x5)	4"	5	2250	125	1/4"	1/2"	4"	8-1/16"
CG-6111CW(4"x10)	4"	10	2250	135	1/4"	1/2"	4"	8-1/4"
CG-6111CW(4"x15)	4"	15	2250	145	1/4"	1/2"	4"	8-7/16"
CG-6111CW(4"x20)	4"	20	2250	155	1/4"	1/2"	4"	8-11/16"
CG-6111CW(4"x30)	4"	30	2250	175	1/4"	1/2"	4"	9-1/8"
CG-6111CW(4"x40)	4"	40	2250	195	1/4"	1/2"	4"	9-9/16"
CG-6111CW(4"x50)	4"	50	2250	215	1/4"	1/2"	4"	10"
CG-6111CW(4"x60)	4"	60	2250	235	1/4"	1/2"	6"	10-7/16"
CG-6111CW(4"x70)	4"	70	2250	255	1/4"	1/2"	6"	10-7/8"
CG-6111CW(4"x80)	4"	80	2250	275	1/4"	1/2"	6"	11-5/16"
CG-6111CW(4"x90)	4"	90	2250	295	1/4"	1/2"	6"	11-11/16"
CG-6111CW(4"x100)	4"	100	2250	315	1/4"	1/2"	8"	12-1/8"
CG-6111CW(5"x5)	5"	5	2820	152	3/8"	1/2"	4"	8-7/8"
CG-6111CW(5"x10)	5"	10	2820	162	3/8"	1/2"	4"	9-1/16"
CG-6111CW(5"x15)	5"	15	2820	172	3/8"	1/2"	4"	9-5/16"
CG-6111CW(5"x20)	5"	20	2820	182	3/8"	1/2"	4"	9-1/2"
CG-6111CW(5"x30)	5"	30	2820	202	3/8"	1/2"	4"	9-15/16"
CG-6111CW(5"x40)	5"	40	2820	222	3/8"	1/2"	4"	10-3/8"
CG-6111CW(5"x50)	5"	50	2820	242	3/8"	1/2"	4"	10-13/16"
CG-6111CW(5"x60)	5"	60	2820	262	3/8"	1/2"	6"	11-1/4"
CG-6111CW(5"x70)	5"	70	2820	282	3/8"	1/2"	6"	11-11/16"
CG-6111CW(5"x80)	5"	80	2820	302	3/8"	1/2"	6"	12-1/8"
CG-6111CW(5"x90)	5"	90	2820	322	3/8"	1/2"	6"	12-9/16"
CG-6111CW(5"x100)	5"	100	2820	342	3/8"	1/2"	8"	13"
CG-6111CW(6"x5)	6"	5	3420	179	3/8"	1/2"	4"	9-7/16"
CG-6111CW(6"x10)	6"	10	3420	189	3/8"	1/2"	4"	9-11/16"
CG-6111CW(6"x15)	6"	15	3420	199	3/8"	1/2"	4"	9-7/8"
CG-6111CW(6"x20)	6"	20	3420	209	3/8"	1/2"	4"	10-1/8"
CG-6111CW(6"x30)	6"	30	3420	229	3/8"	1/2"	4"	10-9/16"
CG-6111CW(6"x40)	6"	40	3420	249	3/8"	1/2"	4"	11"
CG-6111CW(6"x50)	6"	50	3420	269	3/8"	1/2"	4"	11-3/8"
CG-6111CW(6"x60)	6"	60	3420	289	3/8"	1/2"	6"	11-13/16"



Model & Size	Pipe size	Insulation Thk (mm)	Load (lb)	Insul OD (mm)	Plate THK	Bolt Dia.	BOP	D
CG-6111CW(6"x70)	6"	70	3420	309	3/8"	1/2"	6"	12-1/4"
CG-6111CW(6"x80)	6"	80	3420	329	3/8"	1/2"	6"	12-11/16"
CG-6111CW(6"x90)	6"	90	3420	349	3/8"	1/2"	6"	13-1/8"
CG-6111CW(6"x100)	6"	100	3420	369	3/8"	1/2"	8"	13-9/16"
CG-6111CW(8"x5)	8"	5	4500	230	3/8"	1/2"	4"	12-9/16"
CG-6111CW(8"x10)	8"	10	4500	240	3/8"	1/2"	4"	12-3/4"
CG-6111CW(8"x15)	8"	15	4500	250	3/8"	1/2"	4"	13"
CG-6111CW(8"x20)	8"	20	4500	260	3/8"	1/2"	4"	13-3/16"
CG-6111CW(8"x30)	8"	30	4500	280	3/8"	1/2"	4"	13-5/8"
CG-6111CW(8"x40)	8"	40	4500	300	3/8"	1/2"	4"	14-1/16"
CG-6111CW(8"x50)	8"	50	4500	320	3/8"	1/2"	6"	14-1/2"
CG-6111CW(8"x60)	8"	60	4500	340	3/8"	1/2"	6"	14-15/16"
CG-6111CW(8"x70)	8"	70	4500	360	3/8"	1/2"	6"	15-3/8"
CG-6111CW(8"x80)	8"	80	4500	380	3/8"	1/2"	6"	15-13/16"
CG-6111CW(8"x90)	8"	90	4500	400	3/8"	1/2"	6"	16-1/4"
CG-6111CW(8"x100)	8"	100	4500	420	3/8"	1/2"	8"	16-11/16"
CG-6111CW(10"x5)	10"	5	5400	284	3/8"	1/2"	4"	13-3/4"
CG-6111CW(10"x10)	10"	10	5400	294	3/8"	1/2"	4"	13-15/16"
CG-6111CW(10"x15)	10"	15	5400	304	3/8"	1/2"	4"	14-1/8"
CG-6111CW(10"x20)	10"	20	5400	314	3/8"	1/2"	4"	14-3/8"
CG-6111CW(10"x30)	10"	30	5400	334	3/8"	1/2"	4"	14-13/16"
CG-6111CW(10"x40)	10"	40	5400	354	3/8"	1/2"	4"	15-1/4"
CG-6111CW(10"x50)	10"	50	5400	374	3/8"	1/2"	6"	15-11/16"
CG-6111CW(10"x60)	10"	60	5400	394	3/8"	1/2"	6"	16-1/8"
CG-6111CW(10"x70)	10"	70	5400	414	3/8"	1/2"	6"	16-9/16"
CG-6111CW(10"x80)	10"	80	5400	434	3/8"	1/2"	6"	17"
CG-6111CW(10"x90)	10"	90	5400	454	3/8"	1/2"	6"	17-3/8"
CG-6111CW(10"x100)	10"	100	5400	474	3/8"	1/2"	8"	17-13/16"
CG-6111CW(12"x5)	12"	5	5850	334	3/8"	5/8"	4"	14-13/16"
CG-6111CW(12"x10)	12"	10	5850	344	3/8"	5/8"	4"	15-1/16"
CG-6111CW(12"x15)	12"	15	5850	354	3/8"	5/8"	4"	15-1/4"
CG-6111CW(12"x20)	12"	20	5850	364	3/8"	5/8"	4"	15-1/2"
CG-6111CW(12"x30)	12"	30	5850	384	3/8"	5/8"	4"	15-7/8"
CG-6111CW(12"x40)	12"	40	5850	404	3/8"	5/8"	4"	16-5/16"
CG-6111CW(12"x50)	12"	50	5850	424	3/8"	5/8"	6"	16-3/4"
CG-6111CW(12"x60)	12"	60	5850	444	3/8"	5/8"	6"	17-3/16"
CG-6111CW(12"x70)	12"	70	5850	464	3/8"	5/8"	6"	17-5/8"
CG-6111CW(12"x80)	12"	80	5850	484	3/8"	5/8"	6"	18-1/16"
CG-6111CW(12"x90)	12"	90	5850	504	3/8"	5/8"	6"	18-1/2"
CG-6111CW(12"x100)	12"	100	5850	524	3/8"	5/8"	8"	18-15/16"
CG-6111CW(14"x5)	14"	5	6750	366	3/8"	5/8"	4"	15-1/2"
CG-6111CW(14"x10)	14"	10	6750	376	3/8"	5/8"	4"	15-3/4"
CG-6111CW(14"x15)	14"	15	6750	386	3/8"	5/8"	4"	15-15/16"
CG-6111CW(14"x20)	14"	20	6750	396	3/8"	5/8"	4"	16-3/16"
CG-6111CW(14"x30)	14"	30	6750	416	3/8"	5/8"	4"	16-9/16"
CG-6111CW(14"x40)	14"	40	6750	436	3/8"	5/8"	4"	17"
CG-6111CW(14"x50)	14"	50	6750	456	3/8"	5/8"	6"	17-7/16"
CG-6111CW(14"x60)	14"	60	6750	476	3/8"	5/8"	6"	17-7/8"
CG-6111CW(14"x70)	14"	70	6750	496	3/8"	5/8"	6"	18-5/16"
CG-6111CW(14"x80)	14"	80	6750	516	3/8"	5/8"	6"	18-3/4"
CG-6111CW(14"x90)	14"	90	6750	536	3/8"	5/8"	6"	19-3/16"
CG-6111CW(14"x100)	14"	100	6750	556	3/8"	5/8"	8"	19-5/8"
CG-6111CW(16"x5)	16"	5	7800	417	3/8"	5/8"	4"	16-5/8"
CG-6111CW(16"x10)	16"	10	7800	427	3/8"	5/8"	4"	16-13/16"





Model & Size	Pipe size	Insulation Thk (mm)	Load (lb)	Insul OD (mm)	Plate THK	Bolt Dia.	BOP	D
CG-6111CW(16"x15)	16"	15	7800	437	3/8"	5/8"	4"	17-1/16"
CG-6111CW(16"x20)	16"	20	7800	447	3/8"	5/8"	4"	17-1/4"
CG-6111CW(16"x30)	16"	30	7800	467	3/8"	5/8"	4"	17-11/16"
CG-6111CW(16"x40)	16"	40	7800	487	3/8"	5/8"	6"	18-1/8"
CG-6111CW(16"x50)	16"	50	7800	507	3/8"	5/8"	6"	18-9/16"
CG-6111CW(16"x60)	16"	60	7800	527	3/8"	5/8"	6"	19"
CG-6111CW(16"x70)	16"	70	7800	547	3/8"	5/8"	6"	19-7/16"
CG-6111CW(16"x80)	16"	80	7800	567	3/8"	5/8"	8"	19-7/8"
CG-6111CW(16"x90)	16"	90	7800	587	3/8"	5/8"	8"	20-5/16"
CG-6111CW(16"x100)	16"	100	7800	607	3/8"	5/8"	8"	20-3/4"
CG-6111CW(18"x5)	18"	5	8550	468	3/8"	5/8"	4"	17-11/16"
CG-6111CW(18"x10)	18"	10	8550	478	3/8"	5/8"	4"	17-15/16"
CG-6111CW(18"x15)	18"	15	8550	488	3/8"	5/8"	4"	18-1/8"
CG-6111CW(18"x20)	18"	20	8550	498	3/8"	5/8"	4"	18-3/8"
CG-6111CW(18"x30)	18"	30	8550	518	3/8"	5/8"	4"	18-13/16"
CG-6111CW(18"x40)	18"	40	8550	538	3/8"	5/8"	6"	19-1/4"
CG-6111CW(18"x50)	18"	50	8550	558	3/8"	5/8"	6"	19-11/16"
CG-6111CW(18"x60)	18"	60	8550	578	3/8"	5/8"	6"	20-1/16"
CG-6111CW(18"x70)	18"	70	8550	598	3/8"	5/8"	6"	20-1/2"
CG-6111CW(18"x80)	18"	80	8550	618	3/8"	5/8"	8"	20-15/16"
CG-6111CW(18"x90)	18"	90	8550	638	3/8"	5/8"	8"	21-3/8"
CG-6111CW(18"x100)	18"	100	8550	658	3/8"	5/8"	8"	21-13/16"
CG-6111CW(20"x5)	20"	5	9150	518	3/8"	5/8"	4"	18-13/16"
CG-6111CW(20"x10)	20"	10	9150	528	3/8"	5/8"	4"	19"
CG-6111CW(20"x15)	20"	15	9150	538	3/8"	5/8"	4"	19-1/4"
CG-6111CW(20"x20)	20"	20	9150	548	3/8"	5/8"	4"	19-7/16"
CG-6111CW(20"x30)	20"	30	9150	568	3/8"	5/8"	4"	19-7/8"
CG-6111CW(20"x40)	20"	40	9150	588	3/8"	5/8"	6"	20-5/16"
CG-6111CW(20"x50)	20"	50	9150	608	3/8"	5/8"	6"	20-3/4"
CG-6111CW(20"x60)	20"	60	9150	628	3/8"	5/8"	6"	21-3/16"
CG-6111CW(20"x70)	20"	70	9150	648	3/8"	5/8"	6"	21-5/8"
CG-6111CW(20"x80)	20"	80	9150	668	3/8"	5/8"	8"	22-1/16"
CG-6111CW(20"x90)	20"	90	9150	688	3/8"	5/8"	8"	22-1/2"
CG-6111CW(20"x100)	20"	100	9150	708	3/8"	5/8"	8"	22-15/16"
CG-6111CW(24"x5)	24"	5	9600	620	3/8"	3/4"	4"	23"
CG-6111CW(24"x10)	24"	10	9600	630	3/8"	3/4"	4"	23-1/4"
CG-6111CW(24"x15)	24"	15	9600	640	3/8"	3/4"	4"	23-7/16"
CG-6111CW(24"x20)	24"	20	9600	650	3/8"	3/4"	4"	23-11/16"
CG-6111CW(24"x30)	24"	30	9600	670	3/8"	3/4"	4"	24-1/16"
CG-6111CW(24"x40)	24"	40	9600	690	3/8"	3/4"	6"	24-1/2"
CG-6111CW(24"x50)	24"	50	9600	710	3/8"	3/4"	6"	24-15/16"
CG-6111CW(24"x60)	24"	60	9600	730	3/8"	3/4"	6"	25-3/8"
CG-6111CW(24"x70)	24"	70	9600	750	3/8"	3/4"	6"	25-13/16"
CG-6111CW(24"x80)	24"	80	9600	770	3/8"	3/4"	8"	26-1/4"
CG-6111CW(24"x90)	24"	90	9600	790	3/8"	3/4"	8"	26-11/16"
CG-6111CW(24"x100)	24"	100	9600	810	3/8"	3/4"	8"	27-1/8"
CG-6111CW(30"x5)	30"	5	12600	772	1/2"	3/4"	4"	26-9/16"
CG-6111CW(30"x10)	30"	10	12600	782	1/2"	3/4"	4"	26-3/4"
CG-6111CW(30"x15)	30"	15	12600	792	1/2"	3/4"	4"	27"
CG-6111CW(30"x20)	30"	20	12600	802	1/2"	3/4"	4"	27-3/16"
CG-6111CW(30"x30)	30"	30	12600	822	1/2"	3/4"	6"	27-5/8"
CG-6111CW(30"x40)	30"	40	12600	842	1/2"	3/4"	6"	28-1/16"
CG-6111CW(30"x50)	30"	50	12600	862	1/2"	3/4"	6"	28-1/2"
CG-6111CW(30"x60)	30"	60	12600	882	1/2"	3/4"	6"	28-15/16"

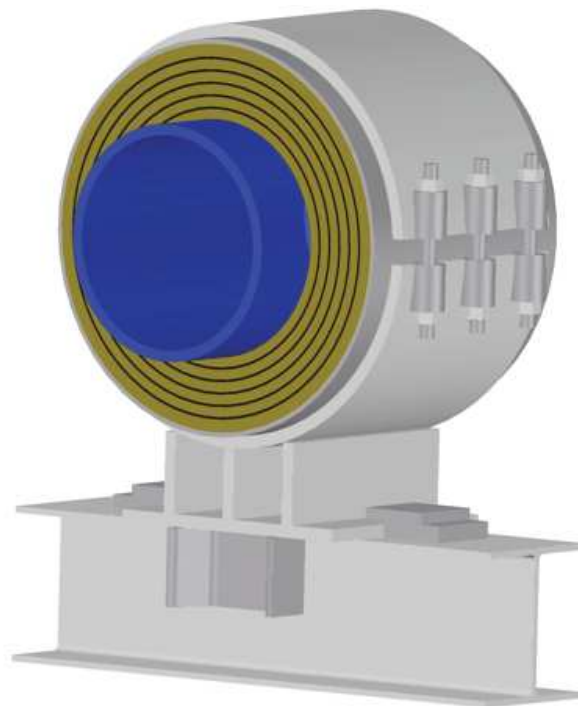


Model & Size	Pipe size	Insulation Thk (mm)	Load (lb)	Insul OD (mm)	Plate THK	Bolt Dia.	BOP	D
CG-6111CW(30"x70)	30"	70	12600	902	1/2"	3/4"	6"	29-3/8"
CG-6111CW(30"x80)	30"	80	12600	922	1/2"	3/4"	8"	29-13/16"
CG-6111CW(30"x90)	30"	90	12600	942	1/2"	3/4"	8"	30-1/4"
CG-6111CW(30"x100)	30"	100	12600	962	1/2"	3/4"	8"	30-11/16"
CG-6111CW(36"x5)	36"	5	14700	925	1/2"	3/4"	4"	29-7/8"
CG-6111CW(36"x10)	36"	10	14700	935	1/2"	3/4"	4"	30-1/16"
CG-6111CW(36"x15)	36"	15	14700	945	1/2"	3/4"	4"	30-5/16"
CG-6111CW(36"x20)	36"	20	14700	955	1/2"	3/4"	4"	30-1/2"
CG-6111CW(36"x30)	36"	30	14700	975	1/2"	3/4"	6"	30-15/16"
CG-6111CW(36"x40)	36"	40	14700	995	1/2"	3/4"	6"	31-3/8"
CG-6111CW(36"x50)	36"	50	14700	1015	1/2"	3/4"	6"	31-13/16"
CG-6111CW(36"x60)	36"	60	14700	1035	1/2"	3/4"	6"	32-1/4"
CG-6111CW(36"x70)	36"	70	14700	1055	1/2"	3/4"	6"	32-11/16"
CG-6111CW(36"x80)	36"	80	14700	1075	1/2"	3/4"	8"	33-1/8"
CG-6111CW(36"x90)	36"	90	14700	1095	1/2"	3/4"	8"	33-9/16"
CG-6111CW(36"x100)	36"	100	14700	1115	1/2"	3/4"	8"	34"
CG-6111CW(42"x5)	42"	5	16650	1077	1/2"	3/4"	4"	33-3/16"
CG-6111CW(42"x10)	42"	10	16650	1087	1/2"	3/4"	4"	33-3/8"
CG-6111CW(42"x15)	42"	15	16650	1097	1/2"	3/4"	4"	33-9/16"
CG-6111CW(42"x20)	42"	20	16650	1107	1/2"	3/4"	4"	33-13/16"
CG-6111CW(42"x30)	42"	30	16650	1127	1/2"	3/4"	6"	34-1/4"
CG-6111CW(42"x40)	42"	40	16650	1147	1/2"	3/4"	6"	34-11/16"
CG-6111CW(42"x50)	42"	50	16650	1167	1/2"	3/4"	6"	35-1/8"
CG-6111CW(42"x60)	42"	60	16650	1187	1/2"	3/4"	6"	35-9/16"
CG-6111CW(42"x70)	42"	70	16650	1207	1/2"	3/4"	6"	36"
CG-6111CW(42"x80)	42"	80	16650	1227	1/2"	3/4"	8"	36-7/16"
CG-6111CW(42"x90)	42"	90	16650	1247	1/2"	3/4"	8"	36-13/16"
CG-6111CW(42"x100)	42"	100	16650	1267	1/2"	3/4"	8"	37-1/4"



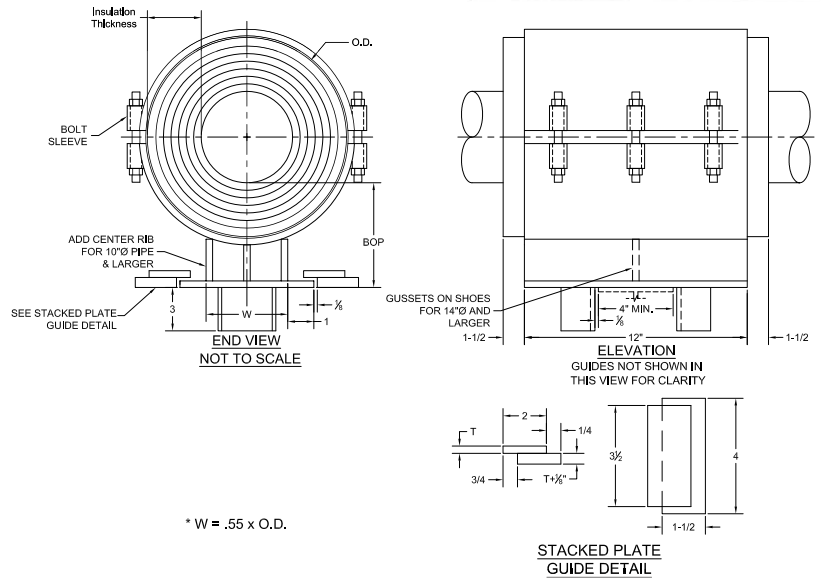
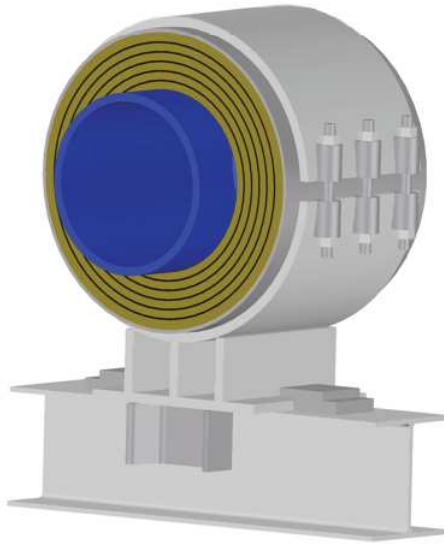
# CryoWrap<sup>™</sup>

## Cold Anchor Engineering Data



CryoWrap<sup>™</sup> Anchors  
(US Customary)





\* W = .55 x O.D.

Model & Size	Pipe size	Insulation Thk (mm)	Vertical Load (lb)	Axial Load (lb)	Insul OD (mm)	Plate THK (T)	Bolt Dia.	BOP
CA-6111CW(1/2"x5)	1/2"	5	400	600	32	3/16"	3/8"	4"
CA-6111CW(1/2"x10)	1/2"	10	400	600	42	3/16"	3/8"	4"
CA-6111CW(1/2"x15)	1/2"	15	400	600	52	3/16"	3/8"	4"
CA-6111CW(1/2"x20)	1/2"	20	400	600	62	3/16"	3/8"	4"
CA-6111CW(1/2"x25)	1/2"	25	400	600	72	3/16"	3/8"	4"
CA-6111CW(1/2"x30)	1/2"	30	400	600	82	3/16"	3/8"	4"
CA-6111CW(1/2"x35)	1/2"	35	400	600	92	3/16"	3/8"	4"
CA-6111CW(1/2"x40)	1/2"	40	400	600	102	3/16"	3/8"	6"
CA-6111CW(1/2"x45)	1/2"	45	400	600	112	3/16"	3/8"	6"
CA-6111CW(1/2"x50)	1/2"	50	400	600	122	3/16"	3/8"	6"
CA-6111CW(1/2"x55)	1/2"	55	400	600	132	3/16"	3/8"	6"
CA-6111CW(1/2"x60)	1/2"	60	400	600	142	3/16"	3/8"	8"
CA-6111CW(1/2"x65)	1/2"	65	400	600	152	3/16"	3/8"	8"
CA-6111CW(1/2"x70)	1/2"	70	400	600	162	3/16"	3/8"	8"
CA-6111CW(3/4"x5)	3/4"	5	500	750	37	3/16"	3/8"	4"
CA-6111CW(3/4"x10)	3/4"	10	500	750	47	3/16"	3/8"	4"
CA-6111CW(3/4"x15)	3/4"	15	500	750	57	3/16"	3/8"	4"
CA-6111CW(3/4"x20)	3/4"	20	500	750	67	3/16"	3/8"	4"
CA-6111CW(3/4"x25)	3/4"	25	500	750	77	3/16"	3/8"	4"
CA-6111CW(3/4"x30)	3/4"	30	500	750	87	3/16"	3/8"	4"
CA-6111CW(3/4"x35)	3/4"	35	500	750	97	3/16"	3/8"	4"
CA-6111CW(3/4"x40)	3/4"	40	500	750	107	3/16"	3/8"	6"

(Continued on following pages)

**Applications and Features**

- Resist axial, vertical and/or lateral pipe loads.
- Support supplied with guide angles and axial stops.
- Accommodates lateral loads up to 20% of actual vertical load.
- Temperature Range -460° F to 195° F.
- Higher Temperature Applications Available.

- A-36 steel construction.
- See technical Specification RHS-850
- Test results available upon request.
- Steel finish available in Galvanized or painted finishes.
- Support constructed in accordance with ASME B31.1, B31.3 and MSS-SP58.
- A307 or B7 plated bolts/studs.
- For special applications, or for information on other Insulation and Pipe sizes, contact Factory
- Utilizes RILCO proprietary low profile ears.



Model & Size	Pipe size	Insulation Thk (mm)	Vertical Load (lb)	Axial Load (lb)	Insul OD (mm)	Plate THK (T)	Bolt Dia.	BOP
CA-6111CW(3/4"x45)	3/4"	45	500	750	117	3/16"	3/8"	6"
CA-6111CW(3/4"x50)	3/4"	50	500	750	127	3/16"	3/8"	6"
CA-6111CW(3/4"x55)	3/4"	55	500	750	137	3/16"	3/8"	6"
CA-6111CW(3/4"x60)	3/4"	60	500	750	147	3/16"	3/8"	8"
CA-6111CW(3/4"x65)	3/4"	65	500	750	157	3/16"	3/8"	8"
CA-6111CW(3/4"x70)	3/4"	70	500	750	167	3/16"	3/8"	8"
CA-6111CW(1"x5)	1"	5	650	900	44	1/4"	3/8"	4"
CA-6111CW(1"x10)	1"	10	650	900	54	1/4"	3/8"	4"
CA-6111CW(1"x15)	1"	15	650	900	64	1/4"	3/8"	4"
CA-6111CW(1"x20)	1"	20	650	900	74	1/4"	3/8"	4"
CA-6111CW(1"x25)	1"	25	650	900	84	1/4"	3/8"	4"
CA-6111CW(1"x30)	1"	30	650	900	94	1/4"	3/8"	4"
CA-6111CW(1"x35)	1"	35	650	900	104	1/4"	3/8"	4"
CA-6111CW(1"x40)	1"	40	650	900	114	1/4"	3/8"	6"
CA-6111CW(1"x45)	1"	45	650	900	124	1/4"	3/8"	6"
CA-6111CW(1"x50)	1"	50	650	900	134	1/4"	3/8"	6"
CA-6111CW(1"x55)	1"	55	650	900	144	1/4"	3/8"	6"
CA-6111CW(1"x60)	1"	60	650	900	154	1/4"	3/8"	8"
CA-6111CW(1"x65)	1"	65	650	900	164	1/4"	3/8"	8"
CA-6111CW(1"x70)	1"	70	650	900	174	1/4"	3/8"	8"
CA-6111CW(1-1/2"x5)	1-1/2"	5	950	1290	59	1/4"	3/8"	4"
CA-6111CW(1-1/2"x10)	1-1/2"	10	950	1290	69	1/4"	3/8"	4"
CA-6111CW(1-1/2"x15)	1-1/2"	15	950	1290	79	1/4"	3/8"	4"
CA-6111CW(1-1/2"x20)	1-1/2"	20	950	1290	89	1/4"	3/8"	4"
CA-6111CW(1-1/2"x25)	1-1/2"	25	950	1290	99	1/4"	3/8"	4"
CA-6111CW(1-1/2"x30)	1-1/2"	30	950	1290	109	1/4"	3/8"	4"
CA-6111CW(1-1/2"x35)	1-1/2"	35	950	1290	119	1/4"	3/8"	4"
CA-6111CW(1-1/2"x40)	1-1/2"	40	950	1290	129	1/4"	3/8"	6"
CA-6111CW(1-1/2"x45)	1-1/2"	45	950	1290	139	1/4"	3/8"	6"
CA-6111CW(1-1/2"x50)	1-1/2"	50	950	1290	149	1/4"	3/8"	6"
CA-6111CW(1-1/2"x55)	1-1/2"	55	950	1290	159	1/4"	3/8"	6"
CA-6111CW(1-1/2"x60)	1-1/2"	60	950	1290	169	1/4"	3/8"	8"
CA-6111CW(1-1/2"x65)	1-1/2"	65	950	1290	179	1/4"	3/8"	8"
CA-6111CW(1-1/2"x70)	1-1/2"	70	950	1290	189	1/4"	3/8"	8"
CA-6111CW(2"x5)	2"	5	1100	1620	71	1/4"	3/8"	4"
CA-6111CW(2"x10)	2"	10	1100	1620	81	1/4"	3/8"	4"
CA-6111CW(2"x15)	2"	15	1100	1620	91	1/4"	3/8"	4"
CA-6111CW(2"x20)	2"	20	1100	1620	101	1/4"	3/8"	4"
CA-6111CW(2"x25)	2"	25	1100	1620	111	1/4"	3/8"	4"
CA-6111CW(2"x30)	2"	30	1100	1620	121	1/4"	3/8"	4"
CA-6111CW(2"x35)	2"	35	1100	1620	131	1/4"	3/8"	4"
CA-6111CW(2"x40)	2"	40	1100	1620	141	1/4"	3/8"	6"
CA-6111CW(2"x45)	2"	45	1100	1620	151	1/4"	3/8"	6"
CA-6111CW(2"x50)	2"	50	1100	1620	161	1/4"	3/8"	6"
CA-6111CW(2"x55)	2"	55	1100	1620	171	1/4"	3/8"	6"
CA-6111CW(2"x60)	2"	60	1100	1620	181	1/4"	3/8"	8"
CA-6111CW(2"x65)	2"	65	1100	1620	191	1/4"	3/8"	8"
CA-6111CW(2"x70)	2"	70	1100	1620	201	1/4"	3/8"	8"
CA-6111CW(2-1/2"x5)	2-1/2"	5	1350	1960	84	1/4"	1/2"	4"
CA-6111CW(2-1/2"x10)	2-1/2"	10	1350	1960	94	1/4"	1/2"	4"
CA-6111CW(2-1/2"x15)	2-1/2"	15	1350	1960	104	1/4"	1/2"	4"
CA-6111CW(2-1/2"x20)	2-1/2"	20	1350	1960	114	1/4"	1/2"	4"
CA-6111CW(2-1/2"x25)	2-1/2"	25	1350	1960	124	1/4"	1/2"	4"
CA-6111CW(2-1/2"x30)	2-1/2"	30	1350	1960	134	1/4"	1/2"	4"



Model & Size	Pipe size	Insulation Thk (mm)	Vertical Load (lb)	Axial Load (lb)	Insul OD (mm)	Plate THK (T)	Bolt Dia.	BOP
CA-6111CW(2-1/2"x35)	2-1/2"	35	1350	1960	144	1/4"	1/2"	4"
CA-6111CW(2-1/2"x40)	2-1/2"	40	1350	1960	154	1/4"	1/2"	6"
CA-6111CW(2-1/2"x45)	2-1/2"	45	1350	1960	164	1/4"	1/2"	6"
CA-6111CW(2-1/2"x50)	2-1/2"	50	1350	1960	174	1/4"	1/2"	6"
CA-6111CW(2-1/2"x55)	2-1/2"	55	1350	1960	184	1/4"	1/2"	6"
CA-6111CW(2-1/2"x60)	2-1/2"	60	1350	1960	194	1/4"	1/2"	8"
CA-6111CW(2-1/2"x65)	2-1/2"	65	1350	1960	204	1/4"	1/2"	8"
CA-6111CW(2-1/2"x70)	2-1/2"	70	1350	1960	214	1/4"	1/2"	8"
CA-6111CW(3"x5)	3"	5	1350	3450	99	3/8"	1/2"	4"
CA-6111CW(3"x10)	3"	10	1350	3450	109	3/8"	1/2"	4"
CA-6111CW(3"x15)	3"	15	1350	3450	119	3/8"	1/2"	4"
CA-6111CW(3"x20)	3"	20	1600	3450	129	3/8"	1/2"	4"
CA-6111CW(3"x25)	3"	25	1600	3450	139	3/8"	1/2"	4"
CA-6111CW(3"x30)	3"	30	1600	3450	149	3/8"	1/2"	4"
CA-6111CW(3"x35)	3"	35	1600	3450	159	3/8"	1/2"	4"
CA-6111CW(3"x40)	3"	40	1600	3450	169	3/8"	1/2"	6"
CA-6111CW(3"x45)	3"	45	1600	3450	179	3/8"	1/2"	6"
CA-6111CW(3"x50)	3"	50	1600	3450	189	3/8"	1/2"	6"
CA-6111CW(3"x55)	3"	55	1600	3450	199	3/8"	1/2"	6"
CA-6111CW(3"x60)	3"	60	1600	3450	209	3/8"	1/2"	8"
CA-6111CW(3"x65)	3"	65	1600	3450	219	3/8"	1/2"	8"
CA-6111CW(3"x70)	3"	70	1600	3450	229	3/8"	1/2"	8"
CA-6111CW(4"x5)	4"	5	2500	4100	125	3/8"	1/2"	4"
CA-6111CW(4"x10)	4"	10	2500	4100	135	3/8"	1/2"	4"
CA-6111CW(4"x15)	4"	15	2500	4100	145	3/8"	1/2"	4"
CA-6111CW(4"x20)	4"	20	2500	4100	155	3/8"	1/2"	4"
CA-6111CW(4"x30)	4"	30	2500	4100	175	3/8"	1/2"	4"
CA-6111CW(4"x40)	4"	40	2500	4100	195	3/8"	1/2"	4"
CA-6111CW(4"x50)	4"	50	2500	4100	215	3/8"	1/2"	4"
CA-6111CW(4"x60)	4"	60	2500	4100	235	3/8"	1/2"	6"
CA-6111CW(4"x70)	4"	70	2500	4100	255	3/8"	1/2"	6"
CA-6111CW(4"x80)	4"	80	2500	4100	275	3/8"	1/2"	6"
CA-6111CW(4"x90)	4"	90	2500	4100	295	3/8"	1/2"	6"
CA-6111CW(4"x100)	4"	100	2500	4100	315	3/8"	1/2"	6"
CA-6111CW(5"x5)	5"	5	3100	4750	152	3/8"	1/2"	4"
CA-6111CW(5"x10)	5"	10	3100	4750	162	3/8"	1/2"	4"
CA-6111CW(5"x15)	5"	15	3100	4750	172	3/8"	1/2"	4"
CA-6111CW(5"x20)	5"	20	3100	4750	182	3/8"	1/2"	4"
CA-6111CW(5"x30)	5"	30	3100	4750	202	3/8"	1/2"	4"
CA-6111CW(5"x40)	5"	40	3100	4750	222	3/8"	1/2"	4"
CA-6111CW(5"x50)	5"	50	3100	4750	242	3/8"	1/2"	4"
CA-6111CW(5"x60)	5"	60	3100	4750	262	3/8"	1/2"	6"
CA-6111CW(5"x70)	5"	70	3100	4750	282	3/8"	1/2"	6"
CA-6111CW(5"x80)	5"	80	3100	4750	302	3/8"	1/2"	6"
CA-6111CW(5"x90)	5"	90	3100	4750	322	3/8"	1/2"	6"
CA-6111CW(5"x100)	5"	100	3100	4750	342	3/8"	1/2"	6"
CA-6111CW(6"x5)	6"	5	3800	5400	179	3/8"	1/2"	4"
CA-6111CW(6"x10)	6"	10	3800	5400	189	3/8"	1/2"	4"
CA-6111CW(6"x15)	6"	15	3800	5400	199	3/8"	1/2"	4"
CA-6111CW(6"x20)	6"	20	3800	5400	209	3/8"	1/2"	4"
CA-6111CW(6"x30)	6"	30	3800	5400	229	3/8"	1/2"	4"
CA-6111CW(6"x40)	6"	40	3800	5400	249	3/8"	1/2"	4"
CA-6111CW(6"x50)	6"	50	3800	5400	269	3/8"	1/2"	4"
CA-6111CW(6"x60)	6"	60	3800	5400	289	3/8"	1/2"	6"



Model & Size	Pipe size	Insulation Thk (mm)	Vertical Load (lb)	Axial Load (lb)	Insul OD (mm)	Plate THK (T)	Bolt Dia.	BOP
CA-6111CW(6"x70)	6"	70	3800	5400	309	3/8"	1/2"	6"
CA-6111CW(6"x80)	6"	80	3800	5400	329	3/8"	1/2"	6"
CA-6111CW(6"x90)	6"	90	3800	5400	349	3/8"	1/2"	6"
CA-6111CW(6"x100)	6"	100	3800	5400	369	3/8"	1/2"	6"
CA-6111CW(8"x5)	8"	5	5100	6675	230	3/8"	1/2"	4"
CA-6111CW(8"x10)	8"	10	5100	6675	240	3/8"	1/2"	4"
CA-6111CW(8"x15)	8"	15	5100	6675	250	3/8"	1/2"	4"
CA-6111CW(8"x20)	8"	20	5100	6675	260	3/8"	1/2"	4"
CA-6111CW(8"x30)	8"	30	5100	6675	280	3/8"	1/2"	4"
CA-6111CW(8"x40)	8"	40	5100	6675	300	3/8"	1/2"	4"
CA-6111CW(8"x50)	8"	50	5100	6675	320	3/8"	1/2"	6"
CA-6111CW(8"x60)	8"	60	5100	6675	340	3/8"	1/2"	6"
CA-6111CW(8"x70)	8"	70	5100	6675	360	3/8"	1/2"	6"
CA-6111CW(8"x80)	8"	80	5100	6675	380	3/8"	1/2"	6"
CA-6111CW(8"x90)	8"	90	5100	6675	400	3/8"	1/2"	6"
CA-6111CW(8"x100)	8"	100	5100	6675	420	3/8"	1/2"	6"
CA-6111CW(10"x5)	10"	5	6000	8000	284	3/8"	1/2"	4"
CA-6111CW(10"x10)	10"	10	6000	8000	294	3/8"	1/2"	4"
CA-6111CW(10"x15)	10"	15	6000	8000	304	3/8"	1/2"	4"
CA-6111CW(10"x20)	10"	20	6000	8000	314	3/8"	1/2"	4"
CA-6111CW(10"x30)	10"	30	6000	8000	334	3/8"	1/2"	4"
CA-6111CW(10"x40)	10"	40	6000	8000	354	3/8"	1/2"	4"
CA-6111CW(10"x50)	10"	50	6000	8000	374	3/8"	1/2"	6"
CA-6111CW(10"x60)	10"	60	6000	8000	394	3/8"	1/2"	6"
CA-6111CW(10"x70)	10"	70	6000	8000	414	3/8"	1/2"	6"
CA-6111CW(10"x80)	10"	80	6000	8000	434	3/8"	1/2"	6"
CA-6111CW(10"x90)	10"	90	6000	8000	454	3/8"	1/2"	6"
CA-6111CW(10"x100)	10"	100	6000	8000	474	3/8"	1/2"	6"
CA-6111CW(12"x5)	12"	5	6600	9300	334	3/8"	5/8"	4"
CA-6111CW(12"x10)	12"	10	6600	9300	344	3/8"	5/8"	4"
CA-6111CW(12"x15)	12"	15	6600	9300	354	3/8"	5/8"	4"
CA-6111CW(12"x20)	12"	20	6600	9300	364	3/8"	5/8"	4"
CA-6111CW(12"x30)	12"	30	6600	9300	384	3/8"	5/8"	4"
CA-6111CW(12"x40)	12"	40	6600	9300	404	3/8"	5/8"	4"
CA-6111CW(12"x50)	12"	50	6600	9300	424	3/8"	5/8"	6"
CA-6111CW(12"x60)	12"	60	6600	9300	444	3/8"	5/8"	6"
CA-6111CW(12"x70)	12"	70	6600	9300	464	3/8"	5/8"	6"
CA-6111CW(12"x80)	12"	80	6600	9300	484	3/8"	5/8"	6"
CA-6111CW(12"x90)	12"	90	6600	9300	504	3/8"	5/8"	6"
CA-6111CW(12"x100)	12"	100	6600	9300	524	3/8"	5/8"	6"
CA-6111CW(14"x5)	14"	5	7500	10000	366	3/8"	5/8"	4"
CA-6111CW(14"x10)	14"	10	7500	10000	376	3/8"	5/8"	4"
CA-6111CW(14"x15)	14"	15	7500	10000	386	3/8"	5/8"	4"
CA-6111CW(14"x20)	14"	20	7500	10000	396	3/8"	5/8"	4"
CA-6111CW(14"x30)	14"	30	7500	10000	416	3/8"	5/8"	4"
CA-6111CW(14"x40)	14"	40	7500	10000	436	3/8"	5/8"	4"
CA-6111CW(14"x50)	14"	50	7500	10000	456	3/8"	5/8"	6"
CA-6111CW(14"x60)	14"	60	7500	10000	476	3/8"	5/8"	6"
CA-6111CW(14"x70)	14"	70	7500	10000	496	3/8"	5/8"	6"
CA-6111CW(14"x80)	14"	80	7500	10000	516	3/8"	5/8"	6"
CA-6111CW(14"x90)	14"	90	7500	10000	536	3/8"	5/8"	6"
CA-6111CW(14"x100)	14"	100	7500	10000	556	3/8"	5/8"	6"
CA-6111CW(16"x5)	16"	5	8700	11300	417	1/2"	5/8"	4"
CA-6111CW(16"x10)	16"	10	8700	11300	427	1/2"	5/8"	4"





Model & Size	Pipe size	Insulation Thk (mm)	Vertical Load (lb)	Axial Load (lb)	Insul OD (mm)	Plate THK (T)	Bolt Dia.	BOP
CA-6111CW(16"x15)	16"	15	8700	11300	437	1/2"	5/8"	4"
CA-6111CW(16"x20)	16"	20	8700	11300	447	1/2"	5/8"	4"
CA-6111CW(16"x30)	16"	30	8700	11300	467	1/2"	5/8"	4"
CA-6111CW(16"x40)	16"	40	8700	11300	487	1/2"	5/8"	6"
CA-6111CW(16"x50)	16"	50	8700	11300	507	1/2"	5/8"	6"
CA-6111CW(16"x60)	16"	60	8700	11300	527	1/2"	5/8"	6"
CA-6111CW(16"x70)	16"	70	8700	11300	547	1/2"	5/8"	6"
CA-6111CW(16"x80)	16"	80	8700	11300	567	1/2"	5/8"	8"
CA-6111CW(16"x90)	16"	90	8700	11300	587	1/2"	5/8"	8"
CA-6111CW(16"x100)	16"	100	8700	11300	607	1/2"	5/8"	8"
CA-6111CW(18"x5)	18"	5	9600	12500	468	1/2"	5/8"	4"
CA-6111CW(18"x10)	18"	10	9600	12500	478	1/2"	5/8"	4"
CA-6111CW(18"x15)	18"	15	9600	12500	488	1/2"	5/8"	4"
CA-6111CW(18"x20)	18"	20	9600	12500	498	1/2"	5/8"	4"
CA-6111CW(18"x30)	18"	30	9600	12500	518	1/2"	5/8"	4"
CA-6111CW(18"x40)	18"	40	9600	12500	538	1/2"	5/8"	6"
CA-6111CW(18"x50)	18"	50	9600	12500	558	1/2"	5/8"	6"
CA-6111CW(18"x60)	18"	60	9600	12500	578	1/2"	5/8"	6"
CA-6111CW(18"x70)	18"	70	9600	12500	598	1/2"	5/8"	6"
CA-6111CW(18"x80)	18"	80	9600	12500	618	1/2"	5/8"	8"
CA-6111CW(18"x90)	18"	90	9600	12500	638	1/2"	5/8"	8"
CA-6111CW(18"x100)	18"	100	9600	12500	658	1/2"	5/8"	8"
CA-6111CW(20"x5)	20"	5	10200	13800	518	1/2"	5/8"	4"
CA-6111CW(20"x10)	20"	10	10200	13800	528	1/2"	5/8"	4"
CA-6111CW(20"x15)	20"	15	10200	13800	538	1/2"	5/8"	4"
CA-6111CW(20"x20)	20"	20	10200	13800	548	1/2"	5/8"	4"
CA-6111CW(20"x30)	20"	30	10200	13800	568	1/2"	5/8"	4"
CA-6111CW(20"x40)	20"	40	10200	13800	588	1/2"	5/8"	6"
CA-6111CW(20"x50)	20"	50	10200	13800	608	1/2"	5/8"	6"
CA-6111CW(20"x60)	20"	60	10200	13800	628	1/2"	5/8"	6"
CA-6111CW(20"x70)	20"	70	10200	13800	648	1/2"	5/8"	6"
CA-6111CW(20"x80)	20"	80	10200	13800	668	1/2"	5/8"	8"
CA-6111CW(20"x90)	20"	90	10200	13800	688	1/2"	5/8"	8"
CA-6111CW(20"x100)	20"	100	10200	13800	708	1/2"	5/8"	8"
CA-6111CW(24"x5)	24"	5	10800	16300	620	1/2"	3/4"	4"
CA-6111CW(24"x10)	24"	10	10800	16300	630	1/2"	3/4"	4"
CA-6111CW(24"x15)	24"	15	10800	16300	640	1/2"	3/4"	4"
CA-6111CW(24"x20)	24"	20	10800	16300	650	1/2"	3/4"	4"
CA-6111CW(24"x30)	24"	30	10800	16300	670	1/2"	3/4"	4"
CA-6111CW(24"x40)	24"	40	10800	16300	690	1/2"	3/4"	6"
CA-6111CW(24"x50)	24"	50	10800	16300	710	1/2"	3/4"	6"
CA-6111CW(24"x60)	24"	60	10800	16300	730	1/2"	3/4"	6"
CA-6111CW(24"x70)	24"	70	10800	16300	750	1/2"	3/4"	6"
CA-6111CW(24"x80)	24"	80	10800	16300	770	1/2"	3/4"	8"
CA-6111CW(24"x90)	24"	90	10800	16300	790	1/2"	3/4"	8"
CA-6111CW(24"x100)	24"	100	10800	16300	810	1/2"	3/4"	8"
CA-6111CW(30"x5)	30"	5	14100	20100	772	1/2"	3/4"	4"
CA-6111CW(30"x10)	30"	10	14100	20100	782	1/2"	3/4"	4"
CA-6111CW(30"x15)	30"	15	14100	20100	792	1/2"	3/4"	4"
CA-6111CW(30"x20)	30"	20	14100	20100	802	1/2"	3/4"	4"
CA-6111CW(30"x30)	30"	30	14100	20100	822	1/2"	3/4"	6"
CA-6111CW(30"x40)	30"	40	14100	20100	842	1/2"	3/4"	6"
CA-6111CW(30"x50)	30"	50	14100	20100	862	1/2"	3/4"	6"
CA-6111CW(30"x60)	30"	60	14100	20100	882	1/2"	3/4"	6"



Model & Size	Pipe size	Insulation Thk (mm)	Vertical Load (lb)	Axial Load (lb)	Insul OD (mm)	Plate THK (T)	Bolt Dia.	BOP
CA-6111CW(30"x70)	30"	70	14100	20100	902	1/2"	3/4"	6"
CA-6111CW(30"x80)	30"	80	14100	20100	922	1/2"	3/4"	8"
CA-6111CW(30"x90)	30"	90	14100	20100	942	1/2"	3/4"	8"
CA-6111CW(30"x100)	30"	100	14100	20100	962	1/2"	3/4"	8"
CA-6111CW(36"x5)	36"	5	16500	23900	925	1/2"	3/4"	4"
CA-6111CW(36"x10)	36"	10	16500	23900	935	1/2"	3/4"	4"
CA-6111CW(36"x15)	36"	15	16500	23900	945	1/2"	3/4"	4"
CA-6111CW(36"x20)	36"	20	16500	23900	955	1/2"	3/4"	4"
CA-6111CW(36"x30)	36"	30	16500	23900	975	1/2"	3/4"	6"
CA-6111CW(36"x40)	36"	40	16500	23900	995	1/2"	3/4"	6"
CA-6111CW(36"x50)	36"	50	16500	23900	1015	1/2"	3/4"	6"
CA-6111CW(36"x60)	36"	60	16500	23900	1035	1/2"	3/4"	6"
CA-6111CW(36"x70)	36"	70	16500	23900	1055	1/2"	3/4"	6"
CA-6111CW(36"x80)	36"	80	16500	23900	1075	1/2"	3/4"	8"
CA-6111CW(36"x90)	36"	90	16500	23900	1095	1/2"	3/4"	8"
CA-6111CW(36"x100)	36"	100	16500	23900	1115	1/2"	3/4"	8"
CA-6111CW(42"x5)	42"	5	18600	23900	1077	1/2"	3/4"	4"
CA-6111CW(42"x10)	42"	10	18600	23900	1087	1/2"	3/4"	4"
CA-6111CW(42"x15)	42"	15	18600	23900	1097	1/2"	3/4"	4"
CA-6111CW(42"x20)	42"	20	18600	23900	1107	1/2"	3/4"	4"
CA-6111CW(42"x30)	42"	30	18600	23900	1127	1/2"	3/4"	6"
CA-6111CW(42"x40)	42"	40	18600	23900	1147	1/2"	3/4"	6"
CA-6111CW(42"x50)	42"	50	18600	23900	1167	1/2"	3/4"	6"
CA-6111CW(42"x60)	42"	60	18600	23900	1187	1/2"	3/4"	6"
CA-6111CW(42"x70)	42"	70	18600	23900	1207	1/2"	3/4"	6"
CA-6111CW(42"x80)	42"	80	18600	23900	1227	1/2"	3/4"	8"
CA-6111CW(42"x90)	42"	90	18600	23900	1247	1/2"	3/4"	8"
CA-6111CW(42"x100)	42"	100	18600	23900	1267	1/2"	3/4"	8"



# PyroWrap<sup>™</sup>

## Product information (US Customary)



*PyroWrap*<sup>™</sup>  
(US Customary)



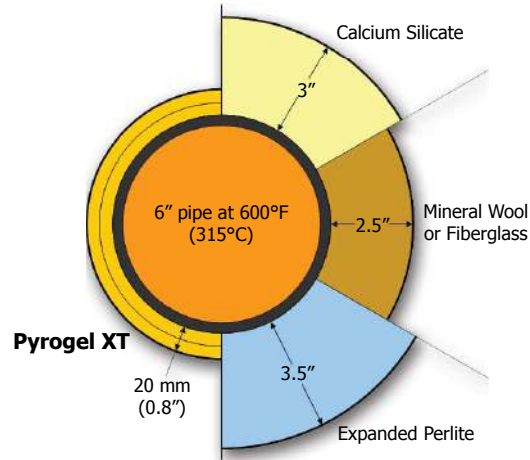
## RILCO PyroWrap™ for Hot Work and High Temperatures

**Service Temperature Ranges: -40°F (-40°C) to 1200°F (650°C)**



PyroWrap™ pipe supports utilize Aspen Aerogel's Pyrogel™ XT or Pyrogel™ XTF (fire protection grade) comprised of a silica aerogel blanket reinforced with non-woven glass-fiber batting. They are specifically engineered with 50% to 80% less thickness, making them substantially lighter in weight thereby making for an easier less costly installation

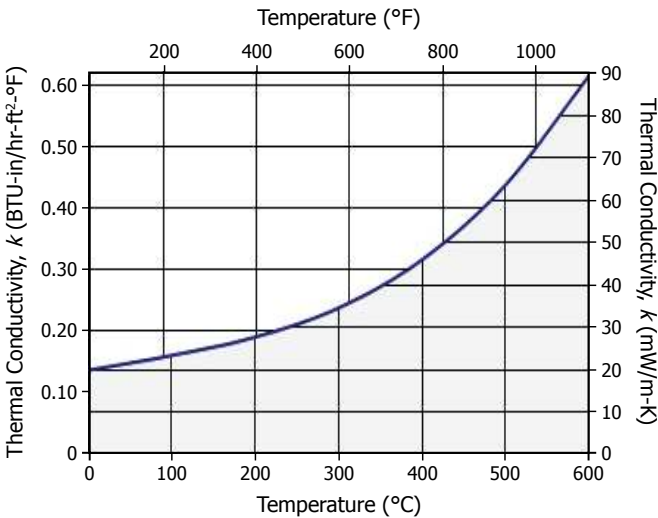
PyroWrap™ pipe supports provide special properties making them the most effective protection for high-temperature applications available. They have the lowest thermal conductivity of any known solid and are hydrophobic, offering a level of protection against corrosion under the insulation as well as flexible, recovering thermal performance after compression as high as 100 psi.



All four designs provide same level of thermal efficiency

### Thermal Conductivity<sup>†</sup>

ASTM C 177 Results



Mean Temp. °C	0	100	200	300	400	500	600
°F	32	212	392	572	752	932	1112
k mW/m-K	0.14	0.16	0.19	0.24	0.32	0.44	0.62
k BTU-in/hr-ft²-°F	0.14	0.16	0.19	0.24	0.32	0.44	0.62

<sup>†</sup>Thermal conductivity measurements taken at a compressive load of 2 psi.

### Comparable Insulation Ratings



PyroWrap™

Cal-Sil

### Physical Properties

<b>Thicknesses*</b>	0.20 in (5 mm)	0.40 in (10 mm)
<b>Material Form*</b>	60 in (1,500 mm) wide x 260 ft (80 m) long rolls	60 in (1,500 mm) wide x 155 ft (47 m) long rolls
<b>Max. Use Temp.</b>	1200°F (650°C)	
<b>Color</b>	Beige	
<b>Density*</b>	11 lb/ft³ (0.18 g/cc)	
<b>Hydrophobic</b>	Yes	

\*Nominal Values

## RILCO PyroWrap™ - Properties

Service Temperature Ranges: -40°F (-40°C) to 1200°F (650°C)

**Thermal Performance:** PyroWrap™ pipe supports are essentially the most efficient products available in the world for high temperature applications. They are 2-5 times thinner than other products with comparable thermal ratings.

**Moisture Resistance:** PyroWrap™ pipe supports are hydrophobic over the entire matrix of the insulation, not just the surface. The unique characteristic of Pyrogel™ insulation causes liquid water to be repelled but allows vapor to pass through thus wicking the moisture away from the pipe, helping to prevent corrosion and deterioration of the substrate.

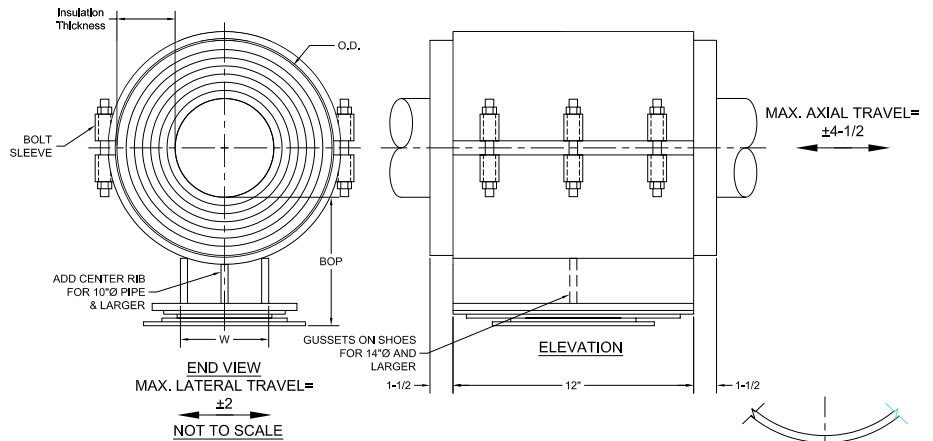
**Structural Integrity:** PyroWrap™ pipe supports provide superior structural integrity in comparison to other products commonly used in high temperature applications. PyroWrap™ supports are not only durable but resilient being rated similar to stainless steel when tested to all stress crack corrosion specifications.

**Dimensional Stability:** PyroWrap™ pipe supports allow minimal movement of the insulated system yet remain flexible and experience no thermal shock. The usual issues of degraded insulation caused by contraction, extreme stresses, damaged structure and crack propagation problems encountered with the standard rigid cellular insulation mediums are no longer a concern.



### Specification Compliance and Performance

Test Procedure	Property	Results
ASTM C 165	Compressive Strength	Stress at 10% strain = 14.8 psi (102 kPa) Stress at 25% strain = 26.6 psi (183 kPa)
ASTM C 356	Linear Shrinkage Under Soaking Heat	< 1.3% @ 1200°F (650°C)
ASTM C 411	Hot Surface Performance	Passed
ASTM C 447	Estimation of Maximum Use Temperature	1200°F (650°C)
ASTM C 592-04 (Section 11.11, Modified)	Heat and Vibration Aging	-0.19% mass change after 6 hr vibration
ASTM C 795	Insulation for Use Over Austenitic Stainless Steel	Passed
ASTM C 1101	Classifying the Flexibility of Mineral Fiber Blankets	Class: Resilient Flexible
ASTM C 1104	Water Vapor Sorption	2.25% (by weight)
ASTM C 1338	Fungal Resistance of Insulation Materials	Passed
ASTM C 1511	Liquid Water Retention After Submersion	4% (by weight)
ASTM E 84	Surface Burning Characteristics	Flame Spread Index = 0 Smoke Developed Index = 0
ASTM E 1354	Cone Calorimetry	No ignition at 50 kW/m <sup>2</sup>
BS EN 13501-1: 2007	Reaction to Fire Performance	Passed Euroclass A2
ISO 1182:1990	Non-Combustibility	Meets criteria outlined in ISO 1182:1990



\* W = .55 x O.D.

\*\* 4" FOR INSULATION THKS. <= 4"  
 \*\* 6-1/2" FOR INSULATION THKS. > 4"  
 PIPE SIZES 4" & SMALLER

Model & Size	Pipe size	Insulation Thk (mm)	Load (lb)	Insul OD (mm)	Plate THK	Bolt Dia.	BOP
HS-6111CW(1/2"x5)	1/2"	5	350	32	3/16"	3/8"	4"
HS-6111CW(1/2"x10)	1/2"	10	350	42	3/16"	3/8"	4"
HS-6111CW(1/2"x15)	1/2"	15	350	52	3/16"	3/8"	4"
HS-6111CW(1/2"x20)	1/2"	20	350	62	3/16"	3/8"	4"
HS-6111CW(1/2"x25)	1/2"	25	350	72	3/16"	3/8"	4"
HS-6111CW(1/2"x30)	1/2"	30	350	82	3/16"	3/8"	4"
HS-6111CW(1/2"x35)	1/2"	35	350	92	3/16"	3/8"	4"
HS-6111CW(1/2"x40)	1/2"	40	350	102	3/16"	3/8"	6"
HS-6111CW(1/2"x45)	1/2"	45	350	112	3/16"	3/8"	6"
HS-6111CW(1/2"x50)	1/2"	50	350	122	3/16"	3/8"	6"
HS-6111CW(1/2"x55)	1/2"	55	350	132	3/16"	3/8"	6"
HS-6111CW(1/2"x60)	1/2"	60	350	142	3/16"	3/8"	8"
HS-6111CW(1/2"x65)	1/2"	65	350	152	3/16"	3/8"	8"
HS-6111CW(1/2"x70)	1/2"	70	350	162	3/16"	3/8"	8"
HS-6111CW(3/4"x5)	3/4"	5	450	37	3/16"	3/8"	4"
HS-6111CW(3/4"x10)	3/4"	10	450	47	3/16"	3/8"	4"
HS-6111CW(3/4"x15)	3/4"	15	450	57	3/16"	3/8"	4"
HS-6111CW(3/4"x20)	3/4"	20	450	67	3/16"	3/8"	4"
HS-6111CW(3/4"x25)	3/4"	25	450	77	3/16"	3/8"	4"
HS-6111CW(3/4"x30)	3/4"	30	450	87	3/16"	3/8"	4"
HS-6111CW(3/4"x35)	3/4"	35	450	97	3/16"	3/8"	4"
HS-6111CW(3/4"x40)	3/4"	40	450	107	3/16"	3/8"	6"

(Continued on following pages)

**Applications and Features**

- Accommodates Axial Travel up to +/- 4-1/2" on center or 9" if shoe is offset from supporting steel.
- For Axial movements 4-1/2" and larger please contact RILCO.
- Accommodates Lateral Travel to +/- 2"
- Temperature Range -40° F to 1200° F.
- Higher Temperature Applications Available.
- Teflon Slide plates on shoe and supporting steel.
- Design loads based on safety factor of 5.

- A-36 steel construction.
- See technical Specification RHS-850
- Test results available upon request.
- Steel finish available in Galvanized or painted finishes.
- Support constructed in accordance with ASME B31.1, B31.3 and MSS-SP58.
- A307 or B7 plated bolts/studs.
- For special applications, or for information on other Insulation and Pipe sizes, contact Factory
- Utilizes RILCO proprietary low profile ears.



Model & Size	Pipe size	Insulation Thk (mm)	Load (lb)	Insul OD (mm)	Plate THK	Bolt Dia.	BOP
HS-6111CW(3/4"x45)	3/4"	45	450	117	3/16"	3/8"	6"
HS-6111CW(3/4"x50)	3/4"	50	450	127	3/16"	3/8"	6"
HS-6111CW(3/4"x55)	3/4"	55	450	137	3/16"	3/8"	6"
HS-6111CW(3/4"x60)	3/4"	60	450	147	3/16"	3/8"	8"
HS-6111CW(3/4"x65)	3/4"	65	450	157	3/16"	3/8"	8"
HS-6111CW(3/4"x70)	3/4"	70	450	167	3/16"	3/8"	8"
HS-6111CW(1"x5)	1"	5	600	44	3/16"	3/8"	4"
HS-6111CW(1"x10)	1"	10	600	54	3/16"	3/8"	4"
HS-6111CW(1"x15)	1"	15	600	64	3/16"	3/8"	4"
HS-6111CW(1"x20)	1"	20	600	74	3/16"	3/8"	4"
HS-6111CW(1"x25)	1"	25	600	84	3/16"	3/8"	4"
HS-6111CW(1"x30)	1"	30	600	94	3/16"	3/8"	4"
HS-6111CW(1"x35)	1"	35	600	104	3/16"	3/8"	4"
HS-6111CW(1"x40)	1"	40	600	114	3/16"	3/8"	6"
HS-6111CW(1"x45)	1"	45	600	124	3/16"	3/8"	6"
HS-6111CW(1"x50)	1"	50	600	134	3/16"	3/8"	6"
HS-6111CW(1"x55)	1"	55	600	144	3/16"	3/8"	6"
HS-6111CW(1"x60)	1"	60	600	154	3/16"	3/8"	8"
HS-6111CW(1"x65)	1"	65	600	164	3/16"	3/8"	8"
HS-6111CW(1"x70)	1"	70	600	174	3/16"	3/8"	8"
HS-6111CW(1-1/2"x5)	1-1/2"	5	870	59	1/4"	3/8"	4"
HS-6111CW(1-1/2"x10)	1-1/2"	10	870	69	1/4"	3/8"	4"
HS-6111CW(1-1/2"x15)	1-1/2"	15	870	79	1/4"	3/8"	4"
HS-6111CW(1-1/2"x20)	1-1/2"	20	870	89	1/4"	3/8"	4"
HS-6111CW(1-1/2"x25)	1-1/2"	25	870	99	1/4"	3/8"	4"
HS-6111CW(1-1/2"x30)	1-1/2"	30	870	109	1/4"	3/8"	4"
HS-6111CW(1-1/2"x35)	1-1/2"	35	870	119	1/4"	3/8"	4"
HS-6111CW(1-1/2"x40)	1-1/2"	40	870	129	1/4"	3/8"	6"
HS-6111CW(1-1/2"x45)	1-1/2"	45	870	139	1/4"	3/8"	6"
HS-6111CW(1-1/2"x50)	1-1/2"	50	870	149	1/4"	3/8"	6"
HS-6111CW(1-1/2"x55)	1-1/2"	55	870	159	1/4"	3/8"	6"
HS-6111CW(1-1/2"x60)	1-1/2"	60	870	169	1/4"	3/8"	8"
HS-6111CW(1-1/2"x65)	1-1/2"	65	870	179	1/4"	3/8"	8"
HS-6111CW(1-1/2"x70)	1-1/2"	70	870	189	1/4"	3/8"	8"
HS-6111CW(2"x5)	2"	5	1090	71	1/4"	3/8"	4"
HS-6111CW(2"x10)	2"	10	1090	81	1/4"	3/8"	4"
HS-6111CW(2"x15)	2"	15	1090	91	1/4"	3/8"	4"
HS-6111CW(2"x20)	2"	20	1090	101	1/4"	3/8"	4"
HS-6111CW(2"x25)	2"	25	1090	111	1/4"	3/8"	4"
HS-6111CW(2"x30)	2"	30	1090	121	1/4"	3/8"	4"
HS-6111CW(2"x35)	2"	35	1090	131	1/4"	3/8"	4"
HS-6111CW(2"x40)	2"	40	1090	141	1/4"	3/8"	6"
HS-6111CW(2"x45)	2"	45	1090	151	1/4"	3/8"	6"
HS-6111CW(2"x50)	2"	50	1090	161	1/4"	3/8"	6"
HS-6111CW(2"x55)	2"	55	1090	171	1/4"	3/8"	6"
HS-6111CW(2"x60)	2"	60	1090	181	1/4"	3/8"	8"
HS-6111CW(2"x65)	2"	65	1090	191	1/4"	3/8"	8"
HS-6111CW(2"x70)	2"	70	1090	201	1/4"	3/8"	8"
HS-6111CW(2-1/2"x5)	2-1/2"	5	1310	84	1/4"	1/2"	4"
HS-6111CW(2-1/2"x10)	2-1/2"	10	1310	94	1/4"	1/2"	4"
HS-6111CW(2-1/2"x15)	2-1/2"	15	1310	104	1/4"	1/2"	4"
HS-6111CW(2-1/2"x20)	2-1/2"	20	1310	114	1/4"	1/2"	4"
HS-6111CW(2-1/2"x25)	2-1/2"	25	1310	124	1/4"	1/2"	4"
HS-6111CW(2-1/2"x30)	2-1/2"	30	1310	134	1/4"	1/2"	4"





Model & Size	Pipe size	Insulation Thk (mm)	Load (lb)	Insul OD (mm)	Plate THK	Bolt Dia.	BOP
HS-6111CW(2-1/2"x35)	2-1/2"	35	1310	144	1/4"	1/2"	4"
HS-6111CW(2-1/2"x40)	2-1/2"	40	1310	154	1/4"	1/2"	6"
HS-6111CW(2-1/2"x45)	2-1/2"	45	1310	164	1/4"	1/2"	6"
HS-6111CW(2-1/2"x50)	2-1/2"	50	1310	174	1/4"	1/2"	6"
HS-6111CW(2-1/2"x55)	2-1/2"	55	1310	184	1/4"	1/2"	6"
HS-6111CW(2-1/2"x60)	2-1/2"	60	1310	194	1/4"	1/2"	8"
HS-6111CW(2-1/2"x65)	2-1/2"	65	1310	204	1/4"	1/2"	8"
HS-6111CW(2-1/2"x70)	2-1/2"	70	1310	214	1/4"	1/2"	8"
HS-6111CW(3"x5)	3"	5	1600	99	1/4"	1/2"	4"
HS-6111CW(3"x10)	3"	10	1600	109	1/4"	1/2"	4"
HS-6111CW(3"x15)	3"	15	1600	119	1/4"	1/2"	4"
HS-6111CW(3"x20)	3"	20	1600	129	1/4"	1/2"	4"
HS-6111CW(3"x25)	3"	25	1600	139	1/4"	1/2"	4"
HS-6111CW(3"x30)	3"	30	1600	149	1/4"	1/2"	4"
HS-6111CW(3"x35)	3"	35	1600	159	1/4"	1/2"	4"
HS-6111CW(3"x40)	3"	40	1600	169	1/4"	1/2"	6"
HS-6111CW(3"x45)	3"	45	1600	179	1/4"	1/2"	6"
HS-6111CW(3"x50)	3"	50	1600	189	1/4"	1/2"	6"
HS-6111CW(3"x55)	3"	55	1600	199	1/4"	1/2"	6"
HS-6111CW(3"x60)	3"	60	1600	209	1/4"	1/2"	8"
HS-6111CW(3"x65)	3"	65	1600	219	1/4"	1/2"	8"
HS-6111CW(3"x70)	3"	70	1600	229	1/4"	1/2"	8"
HS-6111CW(4"x5)	4"	5	2500	125	3/8"	1/2"	4"
HS-6111CW(4"x10)	4"	10	2500	135	3/8"	1/2"	4"
HS-6111CW(4"x15)	4"	15	2500	145	3/8"	1/2"	4"
HS-6111CW(4"x20)	4"	20	2500	155	3/8"	1/2"	4"
HS-6111CW(4"x30)	4"	30	2500	175	3/8"	1/2"	4"
HS-6111CW(4"x40)	4"	40	2500	195	3/8"	1/2"	4"
HS-6111CW(4"x50)	4"	50	2500	215	3/8"	1/2"	4"
HS-6111CW(4"x60)	4"	60	2500	235	3/8"	1/2"	6"
HS-6111CW(4"x70)	4"	70	2500	255	3/8"	1/2"	6"
HS-6111CW(4"x80)	4"	80	2500	275	3/8"	1/2"	6"
HS-6111CW(4"x90)	4"	90	2500	295	3/8"	1/2"	6"
HS-6111CW(4"x100)	4"	100	2500	315	3/8"	1/2"	6"
HS-6111CW(5"x5)	5"	5	3100	152	3/8"	1/2"	4"
HS-6111CW(5"x10)	5"	10	3100	162	3/8"	1/2"	4"
HS-6111CW(5"x15)	5"	15	3100	172	3/8"	1/2"	4"
HS-6111CW(5"x20)	5"	20	3100	182	3/8"	1/2"	4"
HS-6111CW(5"x30)	5"	30	3100	202	3/8"	1/2"	4"
HS-6111CW(5"x40)	5"	40	3100	222	3/8"	1/2"	4"
HS-6111CW(5"x50)	5"	50	3100	242	3/8"	1/2"	4"
HS-6111CW(5"x60)	5"	60	3100	262	3/8"	1/2"	6"
HS-6111CW(5"x70)	5"	70	3100	282	3/8"	1/2"	6"
HS-6111CW(5"x80)	5"	80	3100	302	3/8"	1/2"	6"
HS-6111CW(5"x90)	5"	90	3100	322	3/8"	1/2"	6"
HS-6111CW(5"x100)	5"	100	3100	342	3/8"	1/2"	6"
HS-6111CW(6"x5)	6"	5	3800	179	3/8"	1/2"	4"
HS-6111CW(6"x10)	6"	10	3800	189	3/8"	1/2"	4"
HS-6111CW(6"x15)	6"	15	3800	199	3/8"	1/2"	4"
HS-6111CW(6"x20)	6"	20	3800	209	3/8"	1/2"	4"
HS-6111CW(6"x30)	6"	30	3800	229	3/8"	1/2"	4"
HS-6111CW(6"x40)	6"	40	3800	249	3/8"	1/2"	4"
HS-6111CW(6"x50)	6"	50	3800	269	3/8"	1/2"	4"
HS-6111CW(6"x60)	6"	60	3800	289	3/8"	1/2"	6"





Model & Size	Pipe size	Insulation Thk (mm)	Load (lb)	Insul OD (mm)	Plate THK	Bolt Dia.	BOP
HS-6111CW(6"x70)	6"	70	3800	309	3/8"	1/2"	6"
HS-6111CW(6"x80)	6"	80	3800	329	3/8"	1/2"	6"
HS-6111CW(6"x90)	6"	90	3800	349	3/8"	1/2"	6"
HS-6111CW(6"x100)	6"	100	3800	369	3/8"	1/2"	6"
HS-6111CW(8"x5)	8"	5	5100	230	3/8"	1/2"	4"
HS-6111CW(8"x10)	8"	10	5100	240	3/8"	1/2"	4"
HS-6111CW(8"x15)	8"	15	5100	250	3/8"	1/2"	4"
HS-6111CW(8"x20)	8"	20	5100	260	3/8"	1/2"	4"
HS-6111CW(8"x30)	8"	30	5100	280	3/8"	1/2"	4"
HS-6111CW(8"x40)	8"	40	5100	300	3/8"	1/2"	4"
HS-6111CW(8"x50)	8"	50	5100	320	3/8"	1/2"	6"
HS-6111CW(8"x60)	8"	60	5100	340	3/8"	1/2"	6"
HS-6111CW(8"x70)	8"	70	5100	360	3/8"	1/2"	6"
HS-6111CW(8"x80)	8"	80	5100	380	3/8"	1/2"	6"
HS-6111CW(8"x90)	8"	90	5100	400	3/8"	1/2"	6"
HS-6111CW(8"x100)	8"	100	5100	420	3/8"	1/2"	6"
HS-6111CW(10"x5)	10"	5	6000	284	3/8"	1/2"	4"
HS-6111CW(10"x10)	10"	10	6000	294	3/8"	1/2"	4"
HS-6111CW(10"x15)	10"	15	6000	304	3/8"	1/2"	4"
HS-6111CW(10"x20)	10"	20	6000	314	3/8"	1/2"	4"
HS-6111CW(10"x30)	10"	30	6000	334	3/8"	1/2"	4"
HS-6111CW(10"x40)	10"	40	6000	354	3/8"	1/2"	4"
HS-6111CW(10"x50)	10"	50	6000	374	3/8"	1/2"	6"
HS-6111CW(10"x60)	10"	60	6000	394	3/8"	1/2"	6"
HS-6111CW(10"x70)	10"	70	6000	414	3/8"	1/2"	6"
HS-6111CW(10"x80)	10"	80	6000	434	3/8"	1/2"	6"
HS-6111CW(10"x90)	10"	90	6000	454	3/8"	1/2"	6"
HS-6111CW(10"x100)	10"	100	6000	474	3/8"	1/2"	6"
HS-6111CW(12"x5)	12"	5	6600	334	3/8"	5/8"	4"
HS-6111CW(12"x10)	12"	10	6600	344	3/8"	5/8"	4"
HS-6111CW(12"x15)	12"	15	6600	354	3/8"	5/8"	4"
HS-6111CW(12"x20)	12"	20	6600	364	3/8"	5/8"	4"
HS-6111CW(12"x30)	12"	30	6600	384	3/8"	5/8"	4"
HS-6111CW(12"x40)	12"	40	6600	404	3/8"	5/8"	4"
HS-6111CW(12"x50)	12"	50	6600	424	3/8"	5/8"	6"
HS-6111CW(12"x60)	12"	60	6600	444	3/8"	5/8"	6"
HS-6111CW(12"x70)	12"	70	6600	464	3/8"	5/8"	6"
HS-6111CW(12"x80)	12"	80	6600	484	3/8"	5/8"	6"
HS-6111CW(12"x90)	12"	90	6600	504	3/8"	5/8"	6"
HS-6111CW(12"x100)	12"	100	6600	524	3/8"	5/8"	6"
HS-6111CW(14"x5)	14"	5	7500	366	3/8"	5/8"	4"
HS-6111CW(14"x10)	14"	10	7500	376	3/8"	5/8"	4"
HS-6111CW(14"x15)	14"	15	7500	386	3/8"	5/8"	4"
HS-6111CW(14"x20)	14"	20	7500	396	3/8"	5/8"	4"
HS-6111CW(14"x30)	14"	30	7500	416	3/8"	5/8"	4"
HS-6111CW(14"x40)	14"	40	7500	436	3/8"	5/8"	4"
HS-6111CW(14"x50)	14"	50	7500	456	3/8"	5/8"	6"
HS-6111CW(14"x60)	14"	60	7500	476	3/8"	5/8"	6"
HS-6111CW(14"x70)	14"	70	7500	496	3/8"	5/8"	6"
HS-6111CW(14"x80)	14"	80	7500	516	3/8"	5/8"	6"
HS-6111CW(14"x90)	14"	90	7500	536	3/8"	5/8"	6"
HS-6111CW(14"x100)	14"	100	7500	556	3/8"	5/8"	6"
HS-6111CW(16"x5)	16"	5	8700	417	3/8"	5/8"	4"
HS-6111CW(16"x10)	16"	10	8700	427	3/8"	5/8"	4"

Model & Size	Pipe size	Insulation Thk (mm)	Load (lb)	Insul OD (mm)	Plate THK	Bolt Dia.	BOP
HS-6111CW(16"x15)	16"	15	8700	437	3/8"	5/8"	4"
HS-6111CW(16"x20)	16"	20	8700	447	3/8"	5/8"	4"
HS-6111CW(16"x30)	16"	30	8700	467	3/8"	5/8"	4"
HS-6111CW(16"x40)	16"	40	8700	487	3/8"	5/8"	6"
HS-6111CW(16"x50)	16"	50	8700	507	3/8"	5/8"	6"
HS-6111CW(16"x60)	16"	60	8700	527	3/8"	5/8"	6"
HS-6111CW(16"x70)	16"	70	8700	547	3/8"	5/8"	6"
HS-6111CW(16"x80)	16"	80	8700	567	3/8"	5/8"	8"
HS-6111CW(16"x90)	16"	90	8700	587	3/8"	5/8"	8"
HS-6111CW(16"x100)	16"	100	8700	607	3/8"	5/8"	8"
HS-6111CW(18"x5)	18"	5	9600	468	3/8"	5/8"	4"
HS-6111CW(18"x10)	18"	10	9600	478	3/8"	5/8"	4"
HS-6111CW(18"x15)	18"	15	9600	488	3/8"	5/8"	4"
HS-6111CW(18"x20)	18"	20	9600	498	3/8"	5/8"	4"
HS-6111CW(18"x30)	18"	30	9600	518	3/8"	5/8"	4"
HS-6111CW(18"x40)	18"	40	9600	538	3/8"	5/8"	6"
HS-6111CW(18"x50)	18"	50	9600	558	3/8"	5/8"	6"
HS-6111CW(18"x60)	18"	60	9600	578	3/8"	5/8"	6"
HS-6111CW(18"x70)	18"	70	9600	598	3/8"	5/8"	6"
HS-6111CW(18"x80)	18"	80	9600	618	3/8"	5/8"	8"
HS-6111CW(18"x90)	18"	90	9600	638	3/8"	5/8"	8"
HS-6111CW(18"x100)	18"	100	9600	658	3/8"	5/8"	8"
HS-6111CW(20"x5)	20"	5	10200	518	3/8"	5/8"	4"
HS-6111CW(20"x10)	20"	10	10200	528	3/8"	5/8"	4"
HS-6111CW(20"x15)	20"	15	10200	538	3/8"	5/8"	4"
HS-6111CW(20"x20)	20"	20	10200	548	3/8"	5/8"	4"
HS-6111CW(20"x30)	20"	30	10200	568	3/8"	5/8"	4"
HS-6111CW(20"x40)	20"	40	10200	588	3/8"	5/8"	6"
HS-6111CW(20"x50)	20"	50	10200	608	3/8"	5/8"	6"
HS-6111CW(20"x60)	20"	60	10200	628	3/8"	5/8"	6"
HS-6111CW(20"x70)	20"	70	10200	648	3/8"	5/8"	6"
HS-6111CW(20"x80)	20"	80	10200	668	3/8"	5/8"	8"
HS-6111CW(20"x90)	20"	90	10200	688	3/8"	5/8"	8"
HS-6111CW(20"x100)	20"	100	10200	708	3/8"	5/8"	8"
HS-6111CW(24"x5)	24"	5	10800	620	3/8"	3/4"	4"
HS-6111CW(24"x10)	24"	10	10800	630	3/8"	3/4"	4"
HS-6111CW(24"x15)	24"	15	10800	640	3/8"	3/4"	4"
HS-6111CW(24"x20)	24"	20	10800	650	3/8"	3/4"	4"
HS-6111CW(24"x30)	24"	30	10800	670	3/8"	3/4"	4"
HS-6111CW(24"x40)	24"	40	10800	690	3/8"	3/4"	6"
HS-6111CW(24"x50)	24"	50	10800	710	3/8"	3/4"	6"
HS-6111CW(24"x60)	24"	60	10800	730	3/8"	3/4"	6"
HS-6111CW(24"x70)	24"	70	10800	750	3/8"	3/4"	6"
HS-6111CW(24"x80)	24"	80	10800	770	3/8"	3/4"	8"
HS-6111CW(24"x90)	24"	90	10800	790	3/8"	3/4"	8"
HS-6111CW(24"x100)	24"	100	10800	810	3/8"	3/4"	8"
HS-6111CW(30"x5)	30"	5	14100	772	1/2"	3/4"	4"
HS-6111CW(30"x10)	30"	10	14100	782	1/2"	3/4"	4"
HS-6111CW(30"x15)	30"	15	14100	792	1/2"	3/4"	4"
HS-6111CW(30"x20)	30"	20	14100	802	1/2"	3/4"	4"
HS-6111CW(30"x30)	30"	30	14100	822	1/2"	3/4"	6"
HS-6111CW(30"x40)	30"	40	14100	842	1/2"	3/4"	6"
HS-6111CW(30"x50)	30"	50	14100	862	1/2"	3/4"	6"
HS-6111CW(30"x60)	30"	60	14100	882	1/2"	3/4"	6"



Model & Size	Pipe size	Insulation Thk (mm)	Load (lb)	Insul OD (mm)	Plate THK	Bolt Dia.	BOP
HS-6111CW(30"x70)	30"	70	14100	902	1/2"	3/4"	6"
HS-6111CW(30"x80)	30"	80	14100	922	1/2"	3/4"	8"
HS-6111CW(30"x90)	30"	90	14100	942	1/2"	3/4"	8"
HS-6111CW(30"x100)	30"	100	14100	962	1/2"	3/4"	8"
HS-6111CW(36"x5)	36"	5	16500	925	1/2"	3/4"	4"
HS-6111CW(36"x10)	36"	10	16500	935	1/2"	3/4"	4"
HS-6111CW(36"x15)	36"	15	16500	945	1/2"	3/4"	4"
HS-6111CW(36"x20)	36"	20	16500	955	1/2"	3/4"	4"
HS-6111CW(36"x30)	36"	30	16500	975	1/2"	3/4"	6"
HS-6111CW(36"x40)	36"	40	16500	995	1/2"	3/4"	6"
HS-6111CW(36"x50)	36"	50	16500	1015	1/2"	3/4"	6"
HS-6111CW(36"x60)	36"	60	16500	1035	1/2"	3/4"	6"
HS-6111CW(36"x70)	36"	70	16500	1055	1/2"	3/4"	6"
HS-6111CW(36"x80)	36"	80	16500	1075	1/2"	3/4"	8"
HS-6111CW(36"x90)	36"	90	16500	1095	1/2"	3/4"	8"
HS-6111CW(36"x100)	36"	100	16500	1115	1/2"	3/4"	8"
HS-6111CW(42"x5)	42"	5	16500	1077	1/2"	3/4"	4"
HS-6111CW(42"x10)	42"	10	16500	1087	1/2"	3/4"	4"
HS-6111CW(42"x15)	42"	15	16500	1097	1/2"	3/4"	4"
HS-6111CW(42"x20)	42"	20	16500	1107	1/2"	3/4"	4"
HS-6111CW(42"x30)	42"	30	16500	1127	1/2"	3/4"	6"
HS-6111CW(42"x40)	42"	40	16500	1147	1/2"	3/4"	6"
HS-6111CW(42"x50)	42"	50	16500	1167	1/2"	3/4"	6"
HS-6111CW(42"x60)	42"	60	16500	1187	1/2"	3/4"	6"
HS-6111CW(42"x70)	42"	70	16500	1207	1/2"	3/4"	6"
HS-6111CW(42"x80)	42"	80	16500	1227	1/2"	3/4"	8"
HS-6111CW(42"x90)	42"	90	16500	1247	1/2"	3/4"	8"
HS-6111CW(42"x100)	42"	100	16500	1267	1/2"	3/4"	8"



# PyroWrap<sup>™</sup>

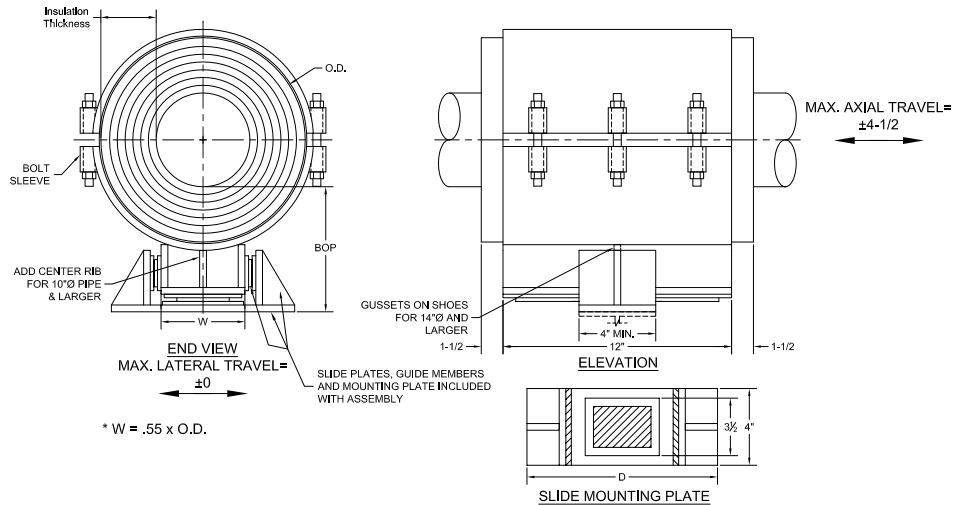
## Hot Guide

### Engineering Data



*PyroWrap*<sup>™</sup> Guides  
(US Customary)





Model & Size	Pipe size	Insulation Thk (mm)	Load (lb)	Insul OD (mm)	Plate THK	Bolt Dia.	BOP	D
HG-6111CW(1/2"x5)	1/2"	5	375	32	3/16"	3/8"	4"	5-7/8"
HG-6111CW(1/2"x10)	1/2"	10	375	42	3/16"	3/8"	4"	6-1/8"
HG-6111CW(1/2"x15)	1/2"	15	375	52	3/16"	3/8"	4"	6-5/16"
HG-6111CW(1/2"x20)	1/2"	20	375	62	3/16"	3/8"	4"	6-9/16"
HG-6111CW(1/2"x25)	1/2"	25	375	72	3/16"	3/8"	4"	6-3/4"
HG-6111CW(1/2"x30)	1/2"	30	375	82	3/16"	3/8"	4"	7"
HG-6111CW(1/2"x35)	1/2"	35	375	92	3/16"	3/8"	4"	7-3/16"
HG-6111CW(1/2"x40)	1/2"	40	375	102	3/16"	3/8"	6"	7-7/16"
HG-6111CW(1/2"x45)	1/2"	45	375	112	3/16"	3/8"	6"	7-5/8"
HG-6111CW(1/2"x50)	1/2"	50	375	122	3/16"	3/8"	6"	7-7/8"
HG-6111CW(1/2"x55)	1/2"	55	375	132	3/16"	3/8"	6"	8-1/16"
HG-6111CW(1/2"x60)	1/2"	60	375	142	3/16"	3/8"	8"	8-1/4"
HG-6111CW(1/2"x65)	1/2"	65	375	152	3/16"	3/8"	8"	8-1/2"
HG-6111CW(1/2"x70)	1/2"	70	375	162	3/16"	3/8"	8"	8-11/16"
HG-6111CW(3/4"x5)	3/4"	5	465	37	3/16"	3/8"	4"	6"
HG-6111CW(3/4"x10)	3/4"	10	465	47	3/16"	3/8"	4"	6-1/4"
HG-6111CW(3/4"x15)	3/4"	15	465	57	3/16"	3/8"	4"	6-7/16"
HG-6111CW(3/4"x20)	3/4"	20	465	67	3/16"	3/8"	4"	6-11/16"
HG-6111CW(3/4"x25)	3/4"	25	465	77	3/16"	3/8"	4"	6-7/8"
HG-6111CW(3/4"x30)	3/4"	30	465	87	3/16"	3/8"	4"	7-1/8"
HG-6111CW(3/4"x35)	3/4"	35	465	97	3/16"	3/8"	4"	7-5/16"
HG-6111CW(3/4"x40)	3/4"	40	465	107	3/16"	3/8"	6"	7-1/2"

(Continued on following pages)

**Applications and Features**

- Accommodates Axial Travel up to +/- 4-1/2" on center or 9" if shoe is offset from supporting steel.
- For Axial movements 4-1/2" and larger please contact RILCO.
- Temperature Range -40° F to 1200° F.
- Higher Temperature Applications Available.
- Teflon Slide plates on shoe and supporting steel.
- Design loads based on safety factor of 5.
- Supports lateral guide loads up to 50% of actual vertical load.

- A-36 steel construction.
- See technical Specification RHS-850
- Test results available upon request.
- Steel finish available in Galvanized or painted finishes.
- Support constructed in accordance with ASME B31.1, B31.3 and MSS-SP58.
- A307 or B7 plated bolts/studs.
- For special applications, or for information on other Insulation and Pipe sizes, contact Factory
- Utilizes RILCO proprietary low profile ears.



Model & Size	Pipe size	Insulation Thk (mm)	Load (lb)	Insul OD (mm)	Plate THK	Bolt Dia.	BOP	D
HG-6111CW(3/4"x45)	3/4"	45	465	117	3/16"	3/8"	6"	7-3/4"
HG-6111CW(3/4"x50)	3/4"	50	465	127	3/16"	3/8"	6"	7-15/16"
HG-6111CW(3/4"x55)	3/4"	55	465	137	3/16"	3/8"	6"	8-3/16"
HG-6111CW(3/4"x60)	3/4"	60	465	147	3/16"	3/8"	8"	8-3/8"
HG-6111CW(3/4"x65)	3/4"	65	465	157	3/16"	3/8"	8"	8-5/8"
HG-6111CW(3/4"x70)	3/4"	70	465	167	3/16"	3/8"	8"	8-13/16"
HG-6111CW(1"x5)	1"	5	600	44	3/16"	3/8"	4"	6-3/16"
HG-6111CW(1"x10)	1"	10	600	54	3/16"	3/8"	4"	6-3/8"
HG-6111CW(1"x15)	1"	15	600	64	3/16"	3/8"	4"	6-9/16"
HG-6111CW(1"x20)	1"	20	600	74	3/16"	3/8"	4"	6-13/16"
HG-6111CW(1"x25)	1"	25	600	84	3/16"	3/8"	4"	7"
HG-6111CW(1"x30)	1"	30	600	94	3/16"	3/8"	4"	7-1/4"
HG-6111CW(1"x35)	1"	35	600	104	3/16"	3/8"	4"	7-7/16"
HG-6111CW(1"x40)	1"	40	600	114	3/16"	3/8"	6"	7-11/16"
HG-6111CW(1"x45)	1"	45	600	124	3/16"	3/8"	6"	7-7/8"
HG-6111CW(1"x50)	1"	50	600	134	3/16"	3/8"	6"	8-1/8"
HG-6111CW(1"x55)	1"	55	600	144	3/16"	3/8"	6"	8-5/16"
HG-6111CW(1"x60)	1"	60	600	154	3/16"	3/8"	8"	8-9/16"
HG-6111CW(1"x65)	1"	65	600	164	3/16"	3/8"	8"	8-3/4"
HG-6111CW(1"x70)	1"	70	600	174	3/16"	3/8"	8"	9"
HG-6111CW(1-1/2"x5)	1-1/2"	5	870	59	1/4"	3/8"	4"	6-5/8"
HG-6111CW(1-1/2"x10)	1-1/2"	10	870	69	1/4"	3/8"	4"	6-13/16"
HG-6111CW(1-1/2"x15)	1-1/2"	15	870	79	1/4"	3/8"	4"	7-1/16"
HG-6111CW(1-1/2"x20)	1-1/2"	20	870	89	1/4"	3/8"	4"	7-1/4"
HG-6111CW(1-1/2"x25)	1-1/2"	25	870	99	1/4"	3/8"	4"	7-1/2"
HG-6111CW(1-1/2"x30)	1-1/2"	30	870	109	1/4"	3/8"	4"	7-11/16"
HG-6111CW(1-1/2"x35)	1-1/2"	35	870	119	1/4"	3/8"	4"	7-7/8"
HG-6111CW(1-1/2"x40)	1-1/2"	40	870	129	1/4"	3/8"	6"	8-1/8"
HG-6111CW(1-1/2"x45)	1-1/2"	45	870	139	1/4"	3/8"	6"	8-5/16"
HG-6111CW(1-1/2"x50)	1-1/2"	50	870	149	1/4"	3/8"	6"	8-9/16"
HG-6111CW(1-1/2"x55)	1-1/2"	55	870	159	1/4"	3/8"	6"	8-3/4"
HG-6111CW(1-1/2"x60)	1-1/2"	60	870	169	1/4"	3/8"	8"	9"
HG-6111CW(1-1/2"x65)	1-1/2"	65	870	179	1/4"	3/8"	8"	9-3/16"
HG-6111CW(1-1/2"x70)	1-1/2"	70	870	189	1/4"	3/8"	8"	9-7/16"
HG-6111CW(2"x5)	2"	5	1005	71	1/4"	3/8"	4"	6-7/8"
HG-6111CW(2"x10)	2"	10	1005	81	1/4"	3/8"	4"	7-1/16"
HG-6111CW(2"x15)	2"	15	1005	91	1/4"	3/8"	4"	7-5/16"
HG-6111CW(2"x20)	2"	20	1005	101	1/4"	3/8"	4"	7-1/2"
HG-6111CW(2"x25)	2"	25	1005	111	1/4"	3/8"	4"	7-3/4"
HG-6111CW(2"x30)	2"	30	1005	121	1/4"	3/8"	4"	7-15/16"
HG-6111CW(2"x35)	2"	35	1005	131	1/4"	3/8"	4"	8-3/16"
HG-6111CW(2"x40)	2"	40	1005	141	1/4"	3/8"	6"	8-3/8"
HG-6111CW(2"x45)	2"	45	1005	151	1/4"	3/8"	6"	8-5/8"
HG-6111CW(2"x50)	2"	50	1005	161	1/4"	3/8"	6"	8-13/16"
HG-6111CW(2"x55)	2"	55	1005	171	1/4"	3/8"	6"	9-1/16"
HG-6111CW(2"x60)	2"	60	1005	181	1/4"	3/8"	8"	9-1/4"
HG-6111CW(2"x65)	2"	65	1005	191	1/4"	3/8"	8"	9-7/16"
HG-6111CW(2"x70)	2"	70	1005	201	1/4"	3/8"	8"	9-11/16"
HG-6111CW(2-1/2"x5)	2-1/2"	5	1230	84	1/4"	1/2"	4"	7-1/8"
HG-6111CW(2-1/2"x10)	2-1/2"	10	1230	94	1/4"	1/2"	4"	7-3/8"
HG-6111CW(2-1/2"x15)	2-1/2"	15	1230	104	1/4"	1/2"	4"	7-9/16"
HG-6111CW(2-1/2"x20)	2-1/2"	20	1230	114	1/4"	1/2"	4"	7-13/16"
HG-6111CW(2-1/2"x25)	2-1/2"	25	1230	124	1/4"	1/2"	4"	8"
HG-6111CW(2-1/2"x30)	2-1/2"	30	1230	134	1/4"	1/2"	4"	8-1/4"



Model & Size	Pipe size	Insulation Thk (mm)	Load (lb)	Insul OD (mm)	Plate THK	Bolt Dia.	BOP	D
HG-6111CW(2-1/2"x35)	2-1/2"	35	1230	144	1/4"	1/2"	4"	8-7/16"
HG-6111CW(2-1/2"x40)	2-1/2"	40	1230	154	1/4"	1/2"	6"	8-11/16"
HG-6111CW(2-1/2"x45)	2-1/2"	45	1230	164	1/4"	1/2"	6"	8-7/8"
HG-6111CW(2-1/2"x50)	2-1/2"	50	1230	174	1/4"	1/2"	6"	9-1/16"
HG-6111CW(2-1/2"x55)	2-1/2"	55	1230	184	1/4"	1/2"	6"	9-5/16"
HG-6111CW(2-1/2"x60)	2-1/2"	60	1230	194	1/4"	1/2"	8"	9-1/2"
HG-6111CW(2-1/2"x65)	2-1/2"	65	1230	204	1/4"	1/2"	8"	9-3/4"
HG-6111CW(2-1/2"x70)	2-1/2"	70	1230	214	1/4"	1/2"	8"	9-15/16"
HG-6111CW(3"x5)	3"	5	1425	99	1/4"	1/2"	4"	7-1/2"
HG-6111CW(3"x10)	3"	10	1425	109	1/4"	1/2"	4"	7-11/16"
HG-6111CW(3"x15)	3"	15	1425	119	1/4"	1/2"	4"	7-15/16"
HG-6111CW(3"x20)	3"	20	1425	129	1/4"	1/2"	4"	8-1/8"
HG-6111CW(3"x25)	3"	25	1425	139	1/4"	1/2"	4"	8-3/8"
HG-6111CW(3"x30)	3"	30	1425	149	1/4"	1/2"	4"	8-9/16"
HG-6111CW(3"x35)	3"	35	1425	159	1/4"	1/2"	4"	8-13/16"
HG-6111CW(3"x40)	3"	40	1425	169	1/4"	1/2"	6"	9"
HG-6111CW(3"x45)	3"	45	1425	179	1/4"	1/2"	6"	9-3/16"
HG-6111CW(3"x50)	3"	50	1425	189	1/4"	1/2"	6"	9-7/16"
HG-6111CW(3"x55)	3"	55	1425	199	1/4"	1/2"	6"	9-5/8"
HG-6111CW(3"x60)	3"	60	1425	209	1/4"	1/2"	8"	9-7/8"
HG-6111CW(3"x65)	3"	65	1425	219	1/4"	1/2"	8"	10-1/16"
HG-6111CW(3"x70)	3"	70	1425	229	1/4"	1/2"	8"	10-5/16"
HG-6111CW(4"x5)	4"	5	2250	125	1/4"	1/2"	4"	8-1/16"
HG-6111CW(4"x10)	4"	10	2250	135	1/4"	1/2"	4"	8-1/4"
HG-6111CW(4"x15)	4"	15	2250	145	1/4"	1/2"	4"	8-7/16"
HG-6111CW(4"x20)	4"	20	2250	155	1/4"	1/2"	4"	8-11/16"
HG-6111CW(4"x30)	4"	30	2250	175	1/4"	1/2"	4"	9-1/8"
HG-6111CW(4"x40)	4"	40	2250	195	1/4"	1/2"	4"	9-9/16"
HG-6111CW(4"x50)	4"	50	2250	215	1/4"	1/2"	4"	10"
HG-6111CW(4"x60)	4"	60	2250	235	1/4"	1/2"	6"	10-7/16"
HG-6111CW(4"x70)	4"	70	2250	255	1/4"	1/2"	6"	10-7/8"
HG-6111CW(4"x80)	4"	80	2250	275	1/4"	1/2"	6"	11-5/16"
HG-6111CW(4"x90)	4"	90	2250	295	1/4"	1/2"	6"	11-11/16"
HG-6111CW(4"x100)	4"	100	2250	315	1/4"	1/2"	8"	12-1/8"
HG-6111CW(5"x5)	5"	5	2820	152	3/8"	1/2"	4"	8-7/8"
HG-6111CW(5"x10)	5"	10	2820	162	3/8"	1/2"	4"	9-1/16"
HG-6111CW(5"x15)	5"	15	2820	172	3/8"	1/2"	4"	9-5/16"
HG-6111CW(5"x20)	5"	20	2820	182	3/8"	1/2"	4"	9-1/2"
HG-6111CW(5"x30)	5"	30	2820	202	3/8"	1/2"	4"	9-15/16"
HG-6111CW(5"x40)	5"	40	2820	222	3/8"	1/2"	4"	10-3/8"
HG-6111CW(5"x50)	5"	50	2820	242	3/8"	1/2"	4"	10-13/16"
HG-6111CW(5"x60)	5"	60	2820	262	3/8"	1/2"	6"	11-1/4"
HG-6111CW(5"x70)	5"	70	2820	282	3/8"	1/2"	6"	11-11/16"
HG-6111CW(5"x80)	5"	80	2820	302	3/8"	1/2"	6"	12-1/8"
HG-6111CW(5"x90)	5"	90	2820	322	3/8"	1/2"	6"	12-9/16"
HG-6111CW(5"x100)	5"	100	2820	342	3/8"	1/2"	8"	13"
HG-6111CW(6"x5)	6"	5	3420	179	3/8"	1/2"	4"	9-7/16"
HG-6111CW(6"x10)	6"	10	3420	189	3/8"	1/2"	4"	9-11/16"
HG-6111CW(6"x15)	6"	15	3420	199	3/8"	1/2"	4"	9-7/8"
HG-6111CW(6"x20)	6"	20	3420	209	3/8"	1/2"	4"	10-1/8"
HG-6111CW(6"x30)	6"	30	3420	229	3/8"	1/2"	4"	10-9/16"
HG-6111CW(6"x40)	6"	40	3420	249	3/8"	1/2"	4"	11"
HG-6111CW(6"x50)	6"	50	3420	269	3/8"	1/2"	4"	11-3/8"
HG-6111CW(6"x60)	6"	60	3420	289	3/8"	1/2"	6"	11-13/16"



Model & Size	Pipe size	Insulation Thk (mm)	Load (lb)	Insul OD (mm)	Plate THK	Bolt Dia.	BOP	D
HG-6111CW(6"x70)	6"	70	3420	309	3/8"	1/2"	6"	12-1/4"
HG-6111CW(6"x80)	6"	80	3420	329	3/8"	1/2"	6"	12-11/16"
HG-6111CW(6"x90)	6"	90	3420	349	3/8"	1/2"	6"	13-1/8"
HG-6111CW(6"x100)	6"	100	3420	369	3/8"	1/2"	8"	13-9/16"
HG-6111CW(8"x5)	8"	5	4500	230	3/8"	1/2"	4"	12-9/16"
HG-6111CW(8"x10)	8"	10	4500	240	3/8"	1/2"	4"	12-3/4"
HG-6111CW(8"x15)	8"	15	4500	250	3/8"	1/2"	4"	13"
HG-6111CW(8"x20)	8"	20	4500	260	3/8"	1/2"	4"	13-3/16"
HG-6111CW(8"x30)	8"	30	4500	280	3/8"	1/2"	4"	13-5/8"
HG-6111CW(8"x40)	8"	40	4500	300	3/8"	1/2"	4"	14-1/16"
HG-6111CW(8"x50)	8"	50	4500	320	3/8"	1/2"	6"	14-1/2"
HG-6111CW(8"x60)	8"	60	4500	340	3/8"	1/2"	6"	14-15/16"
HG-6111CW(8"x70)	8"	70	4500	360	3/8"	1/2"	6"	15-3/8"
HG-6111CW(8"x80)	8"	80	4500	380	3/8"	1/2"	6"	15-13/16"
HG-6111CW(8"x90)	8"	90	4500	400	3/8"	1/2"	6"	16-1/4"
HG-6111CW(8"x100)	8"	100	4500	420	3/8"	1/2"	8"	16-11/16"
HG-6111CW(10"x5)	10"	5	5400	284	3/8"	1/2"	4"	13-3/4"
HG-6111CW(10"x10)	10"	10	5400	294	3/8"	1/2"	4"	13-15/16"
HG-6111CW(10"x15)	10"	15	5400	304	3/8"	1/2"	4"	14-1/8"
HG-6111CW(10"x20)	10"	20	5400	314	3/8"	1/2"	4"	14-3/8"
HG-6111CW(10"x30)	10"	30	5400	334	3/8"	1/2"	4"	14-13/16"
HG-6111CW(10"x40)	10"	40	5400	354	3/8"	1/2"	4"	15-1/4"
HG-6111CW(10"x50)	10"	50	5400	374	3/8"	1/2"	6"	15-11/16"
HG-6111CW(10"x60)	10"	60	5400	394	3/8"	1/2"	6"	16-1/8"
HG-6111CW(10"x70)	10"	70	5400	414	3/8"	1/2"	6"	16-9/16"
HG-6111CW(10"x80)	10"	80	5400	434	3/8"	1/2"	6"	17"
HG-6111CW(10"x90)	10"	90	5400	454	3/8"	1/2"	6"	17-3/8"
HG-6111CW(10"x100)	10"	100	5400	474	3/8"	1/2"	8"	17-13/16"
HG-6111CW(12"x5)	12"	5	5850	334	3/8"	5/8"	4"	14-13/16"
HG-6111CW(12"x10)	12"	10	5850	344	3/8"	5/8"	4"	15-1/16"
HG-6111CW(12"x15)	12"	15	5850	354	3/8"	5/8"	4"	15-1/4"
HG-6111CW(12"x20)	12"	20	5850	364	3/8"	5/8"	4"	15-1/2"
HG-6111CW(12"x30)	12"	30	5850	384	3/8"	5/8"	4"	15-7/8"
HG-6111CW(12"x40)	12"	40	5850	404	3/8"	5/8"	4"	16-5/16"
HG-6111CW(12"x50)	12"	50	5850	424	3/8"	5/8"	6"	16-3/4"
HG-6111CW(12"x60)	12"	60	5850	444	3/8"	5/8"	6"	17-3/16"
HG-6111CW(12"x70)	12"	70	5850	464	3/8"	5/8"	6"	17-5/8"
HG-6111CW(12"x80)	12"	80	5850	484	3/8"	5/8"	6"	18-1/16"
HG-6111CW(12"x90)	12"	90	5850	504	3/8"	5/8"	6"	18-1/2"
HG-6111CW(12"x100)	12"	100	5850	524	3/8"	5/8"	8"	18-15/16"
HG-6111CW(14"x5)	14"	5	6750	366	3/8"	5/8"	4"	15-1/2"
HG-6111CW(14"x10)	14"	10	6750	376	3/8"	5/8"	4"	15-3/4"
HG-6111CW(14"x15)	14"	15	6750	386	3/8"	5/8"	4"	15-15/16"
HG-6111CW(14"x20)	14"	20	6750	396	3/8"	5/8"	4"	16-3/16"
HG-6111CW(14"x30)	14"	30	6750	416	3/8"	5/8"	4"	16-9/16"
HG-6111CW(14"x40)	14"	40	6750	436	3/8"	5/8"	4"	17"
HG-6111CW(14"x50)	14"	50	6750	456	3/8"	5/8"	6"	17-7/16"
HG-6111CW(14"x60)	14"	60	6750	476	3/8"	5/8"	6"	17-7/8"
HG-6111CW(14"x70)	14"	70	6750	496	3/8"	5/8"	6"	18-5/16"
HG-6111CW(14"x80)	14"	80	6750	516	3/8"	5/8"	6"	18-3/4"
HG-6111CW(14"x90)	14"	90	6750	536	3/8"	5/8"	6"	19-3/16"
HG-6111CW(14"x100)	14"	100	6750	556	3/8"	5/8"	8"	19-5/8"
HG-6111CW(16"x5)	16"	5	7800	417	3/8"	5/8"	4"	16-5/8"
HG-6111CW(16"x10)	16"	10	7800	427	3/8"	5/8"	4"	16-13/16"





Model & Size	Pipe size	Insulation Thk (mm)	Load (lb)	Insul OD (mm)	Plate THK	Bolt Dia.	BOP	D
HG-6111CW(16"x15)	16"	15	7800	437	3/8"	5/8"	4"	17-1/16"
HG-6111CW(16"x20)	16"	20	7800	447	3/8"	5/8"	4"	17-1/4"
HG-6111CW(16"x30)	16"	30	7800	467	3/8"	5/8"	4"	17-11/16"
HG-6111CW(16"x40)	16"	40	7800	487	3/8"	5/8"	6"	18-1/8"
HG-6111CW(16"x50)	16"	50	7800	507	3/8"	5/8"	6"	18-9/16"
HG-6111CW(16"x60)	16"	60	7800	527	3/8"	5/8"	6"	19"
HG-6111CW(16"x70)	16"	70	7800	547	3/8"	5/8"	6"	19-7/16"
HG-6111CW(16"x80)	16"	80	7800	567	3/8"	5/8"	8"	19-7/8"
HG-6111CW(16"x90)	16"	90	7800	587	3/8"	5/8"	8"	20-5/16"
HG-6111CW(16"x100)	16"	100	7800	607	3/8"	5/8"	8"	20-3/4"
HG-6111CW(18"x5)	18"	5	8550	468	3/8"	5/8"	4"	17-11/16"
HG-6111CW(18"x10)	18"	10	8550	478	3/8"	5/8"	4"	17-15/16"
HG-6111CW(18"x15)	18"	15	8550	488	3/8"	5/8"	4"	18-1/8"
HG-6111CW(18"x20)	18"	20	8550	498	3/8"	5/8"	4"	18-3/8"
HG-6111CW(18"x30)	18"	30	8550	518	3/8"	5/8"	4"	18-13/16"
HG-6111CW(18"x40)	18"	40	8550	538	3/8"	5/8"	6"	19-1/4"
HG-6111CW(18"x50)	18"	50	8550	558	3/8"	5/8"	6"	19-11/16"
HG-6111CW(18"x60)	18"	60	8550	578	3/8"	5/8"	6"	20-1/16"
HG-6111CW(18"x70)	18"	70	8550	598	3/8"	5/8"	6"	20-1/2"
HG-6111CW(18"x80)	18"	80	8550	618	3/8"	5/8"	8"	20-15/16"
HG-6111CW(18"x90)	18"	90	8550	638	3/8"	5/8"	8"	21-3/8"
HG-6111CW(18"x100)	18"	100	8550	658	3/8"	5/8"	8"	21-13/16"
HG-6111CW(20"x5)	20"	5	9150	518	3/8"	5/8"	4"	18-13/16"
HG-6111CW(20"x10)	20"	10	9150	528	3/8"	5/8"	4"	19"
HG-6111CW(20"x15)	20"	15	9150	538	3/8"	5/8"	4"	19-1/4"
HG-6111CW(20"x20)	20"	20	9150	548	3/8"	5/8"	4"	19-7/16"
HG-6111CW(20"x30)	20"	30	9150	568	3/8"	5/8"	4"	19-7/8"
HG-6111CW(20"x40)	20"	40	9150	588	3/8"	5/8"	6"	20-5/16"
HG-6111CW(20"x50)	20"	50	9150	608	3/8"	5/8"	6"	20-3/4"
HG-6111CW(20"x60)	20"	60	9150	628	3/8"	5/8"	6"	21-3/16"
HG-6111CW(20"x70)	20"	70	9150	648	3/8"	5/8"	6"	21-5/8"
HG-6111CW(20"x80)	20"	80	9150	668	3/8"	5/8"	8"	22-1/16"
HG-6111CW(20"x90)	20"	90	9150	688	3/8"	5/8"	8"	22-1/2"
HG-6111CW(20"x100)	20"	100	9150	708	3/8"	5/8"	8"	22-15/16"
HG-6111CW(24"x5)	24"	5	9600	620	3/8"	3/4"	4"	23"
HG-6111CW(24"x10)	24"	10	9600	630	3/8"	3/4"	4"	23-1/4"
HG-6111CW(24"x15)	24"	15	9600	640	3/8"	3/4"	4"	23-7/16"
HG-6111CW(24"x20)	24"	20	9600	650	3/8"	3/4"	4"	23-11/16"
HG-6111CW(24"x30)	24"	30	9600	670	3/8"	3/4"	4"	24-1/16"
HG-6111CW(24"x40)	24"	40	9600	690	3/8"	3/4"	6"	24-1/2"
HG-6111CW(24"x50)	24"	50	9600	710	3/8"	3/4"	6"	24-15/16"
HG-6111CW(24"x60)	24"	60	9600	730	3/8"	3/4"	6"	25-3/8"
HG-6111CW(24"x70)	24"	70	9600	750	3/8"	3/4"	6"	25-13/16"
HG-6111CW(24"x80)	24"	80	9600	770	3/8"	3/4"	8"	26-1/4"
HG-6111CW(24"x90)	24"	90	9600	790	3/8"	3/4"	8"	26-11/16"
HG-6111CW(24"x100)	24"	100	9600	810	3/8"	3/4"	8"	27-1/8"
HG-6111CW(30"x5)	30"	5	12600	772	1/2"	3/4"	4"	26-9/16"
HG-6111CW(30"x10)	30"	10	12600	782	1/2"	3/4"	4"	26-3/4"
HG-6111CW(30"x15)	30"	15	12600	792	1/2"	3/4"	4"	27"
HG-6111CW(30"x20)	30"	20	12600	802	1/2"	3/4"	4"	27-3/16"
HG-6111CW(30"x30)	30"	30	12600	822	1/2"	3/4"	6"	27-5/8"
HG-6111CW(30"x40)	30"	40	12600	842	1/2"	3/4"	6"	28-1/16"
HG-6111CW(30"x50)	30"	50	12600	862	1/2"	3/4"	6"	28-1/2"
HG-6111CW(30"x60)	30"	60	12600	882	1/2"	3/4"	6"	28-15/16"





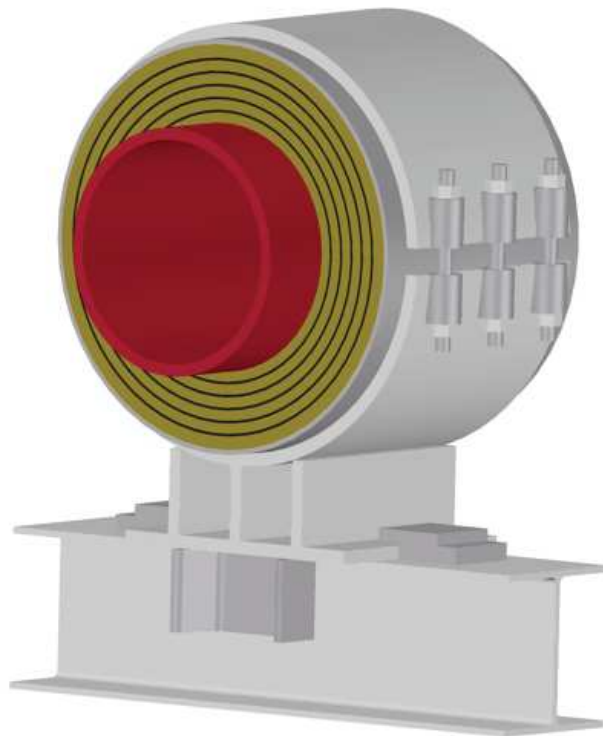
Model & Size	Pipe size	Insulation Thk (mm)	Load (lb)	Insul OD (mm)	Plate THK	Bolt Dia.	BOP	D
HG-6111CW(30"x70)	30"	70	12600	902	1/2"	3/4"	6"	29-3/8"
HG-6111CW(30"x80)	30"	80	12600	922	1/2"	3/4"	8"	29-13/16"
HG-6111CW(30"x90)	30"	90	12600	942	1/2"	3/4"	8"	30-1/4"
HG-6111CW(30"x100)	30"	100	12600	962	1/2"	3/4"	8"	30-11/16"
HG-6111CW(36"x5)	36"	5	14700	925	1/2"	3/4"	4"	29-7/8"
HG-6111CW(36"x10)	36"	10	14700	935	1/2"	3/4"	4"	30-1/16"
HG-6111CW(36"x15)	36"	15	14700	945	1/2"	3/4"	4"	30-5/16"
HG-6111CW(36"x20)	36"	20	14700	955	1/2"	3/4"	4"	30-1/2"
HG-6111CW(36"x30)	36"	30	14700	975	1/2"	3/4"	6"	30-15/16"
HG-6111CW(36"x40)	36"	40	14700	995	1/2"	3/4"	6"	31-3/8"
HG-6111CW(36"x50)	36"	50	14700	1015	1/2"	3/4"	6"	31-13/16"
HG-6111CW(36"x60)	36"	60	14700	1035	1/2"	3/4"	6"	32-1/4"
HG-6111CW(36"x70)	36"	70	14700	1055	1/2"	3/4"	6"	32-11/16"
HG-6111CW(36"x80)	36"	80	14700	1075	1/2"	3/4"	8"	33-1/8"
HG-6111CW(36"x90)	36"	90	14700	1095	1/2"	3/4"	8"	33-9/16"
HG-6111CW(36"x100)	36"	100	14700	1115	1/2"	3/4"	8"	34"
HG-6111CW(42"x5)	42"	5	16650	1077	1/2"	3/4"	4"	33-3/16"
HG-6111CW(42"x10)	42"	10	16650	1087	1/2"	3/4"	4"	33-3/8"
HG-6111CW(42"x15)	42"	15	16650	1097	1/2"	3/4"	4"	33-9/16"
HG-6111CW(42"x20)	42"	20	16650	1107	1/2"	3/4"	4"	33-13/16"
HG-6111CW(42"x30)	42"	30	16650	1127	1/2"	3/4"	6"	34-1/4"
HG-6111CW(42"x40)	42"	40	16650	1147	1/2"	3/4"	6"	34-11/16"
HG-6111CW(42"x50)	42"	50	16650	1167	1/2"	3/4"	6"	35-1/8"
HG-6111CW(42"x60)	42"	60	16650	1187	1/2"	3/4"	6"	35-9/16"
HG-6111CW(42"x70)	42"	70	16650	1207	1/2"	3/4"	6"	36"
HG-6111CW(42"x80)	42"	80	16650	1227	1/2"	3/4"	8"	36-7/16"
HG-6111CW(42"x90)	42"	90	16650	1247	1/2"	3/4"	8"	36-13/16"
HG-6111CW(42"x100)	42"	100	16650	1267	1/2"	3/4"	8"	37-1/4"



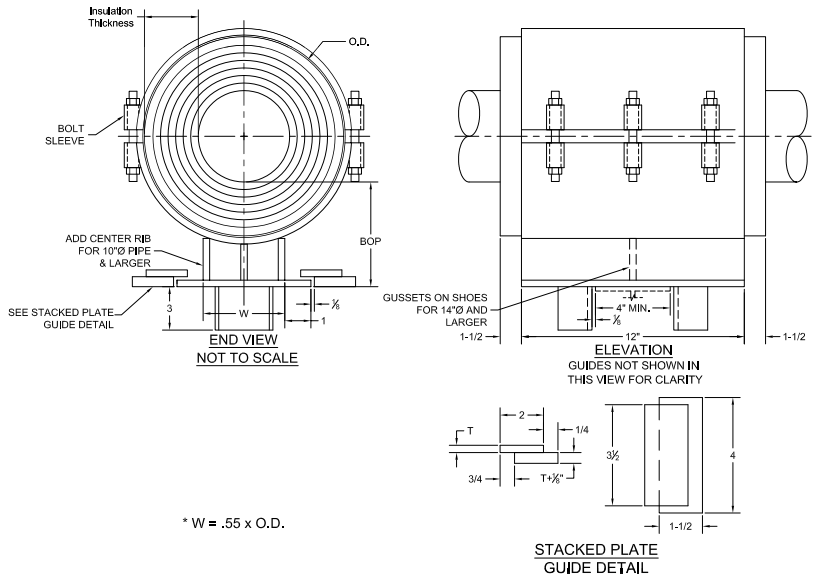
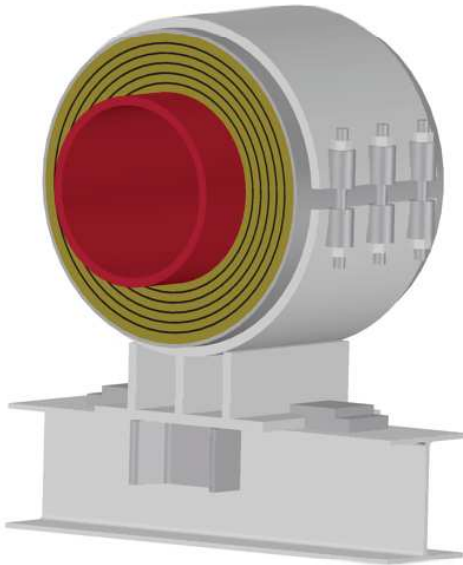
# PyroWrap<sup>TM</sup>

## Hot Anchor

### Engineering Data



PyroWrap<sup>TM</sup> Anchors  
(US Customary)



\* W = .55 x O.D.

Model & Size	Pipe size	Insulation Thk (mm)	Vertical Load (lb)	Axial Load (lb)	Insul OD (mm)	Plate THK (T)	Bolt Dia.	BOP
HA-6111CW(1/2"x5)	1/2"	5	400	600	32	3/16"	3/8"	4"
HA-6111CW(1/2"x10)	1/2"	10	400	600	42	3/16"	3/8"	4"
HA-6111CW(1/2"x15)	1/2"	15	400	600	52	3/16"	3/8"	4"
HA-6111CW(1/2"x20)	1/2"	20	400	600	62	3/16"	3/8"	4"
HA-6111CW(1/2"x25)	1/2"	25	400	600	72	3/16"	3/8"	4"
HA-6111CW(1/2"x30)	1/2"	30	400	600	82	3/16"	3/8"	4"
HA-6111CW(1/2"x35)	1/2"	35	400	600	92	3/16"	3/8"	4"
HA-6111CW(1/2"x40)	1/2"	40	400	600	102	3/16"	3/8"	6"
HA-6111CW(1/2"x45)	1/2"	45	400	600	112	3/16"	3/8"	6"
HA-6111CW(1/2"x50)	1/2"	50	400	600	122	3/16"	3/8"	6"
HA-6111CW(1/2"x55)	1/2"	55	400	600	132	3/16"	3/8"	6"
HA-6111CW(1/2"x60)	1/2"	60	400	600	142	3/16"	3/8"	8"
HA-6111CW(1/2"x65)	1/2"	65	400	600	152	3/16"	3/8"	8"
HA-6111CW(1/2"x70)	1/2"	70	400	600	162	3/16"	3/8"	8"
HA-6111CW(3/4"x5)	3/4"	5	500	750	37	3/16"	3/8"	4"
HA-6111CW(3/4"x10)	3/4"	10	500	750	47	3/16"	3/8"	4"
HA-6111CW(3/4"x15)	3/4"	15	500	750	57	3/16"	3/8"	4"
HA-6111CW(3/4"x20)	3/4"	20	500	750	67	3/16"	3/8"	4"
HA-6111CW(3/4"x25)	3/4"	25	500	750	77	3/16"	3/8"	4"
HA-6111CW(3/4"x30)	3/4"	30	500	750	87	3/16"	3/8"	4"
HA-6111CW(3/4"x35)	3/4"	35	500	750	97	3/16"	3/8"	4"
HA-6111CW(3/4"x40)	3/4"	40	500	750	107	3/16"	3/8"	6"

(Continued on following pages)

**Applications and Features**

- Resist axial, vertical and/or lateral pipe loads.
- Support supplied with guide angles and axial stops.
- Accommodates lateral loads up to 20% of actual vertical load.
- Temperature Range -40° F to 1200° F.
- Higher Temperature Applications Available.

- A-36 steel construction.
- See technical Specification RHS-850
- Test results available upon request.
- Steel finish available in Galvanized or painted finishes.
- Support constructed in accordance with ASME B31.1, B31.3 and MSS-SP58.
- A307 or B7 plated bolts/studs.
- For special applications, or for information on other Insulation and Pipe sizes, contact Factory
- Utilizes RILCO proprietary low profile ears.



Model & Size	Pipe size	Insulation Thk (mm)	Vertical Load (lb)	Axial Load (lb)	Insul OD (mm)	Plate THK (T)	Bolt Dia.	BOP
HA-6111CW(3/4"x45)	3/4"	45	500	750	117	3/16"	3/8"	6"
HA-6111CW(3/4"x50)	3/4"	50	500	750	127	3/16"	3/8"	6"
HA-6111CW(3/4"x55)	3/4"	55	500	750	137	3/16"	3/8"	6"
HA-6111CW(3/4"x60)	3/4"	60	500	750	147	3/16"	3/8"	8"
HA-6111CW(3/4"x65)	3/4"	65	500	750	157	3/16"	3/8"	8"
HA-6111CW(3/4"x70)	3/4"	70	500	750	167	3/16"	3/8"	8"
HA-6111CW(1"x5)	1"	5	650	900	44	1/4"	3/8"	4"
HA-6111CW(1"x10)	1"	10	650	900	54	1/4"	3/8"	4"
HA-6111CW(1"x15)	1"	15	650	900	64	1/4"	3/8"	4"
HA-6111CW(1"x20)	1"	20	650	900	74	1/4"	3/8"	4"
HA-6111CW(1"x25)	1"	25	650	900	84	1/4"	3/8"	4"
HA-6111CW(1"x30)	1"	30	650	900	94	1/4"	3/8"	4"
HA-6111CW(1"x35)	1"	35	650	900	104	1/4"	3/8"	4"
HA-6111CW(1"x40)	1"	40	650	900	114	1/4"	3/8"	6"
HA-6111CW(1"x45)	1"	45	650	900	124	1/4"	3/8"	6"
HA-6111CW(1"x50)	1"	50	650	900	134	1/4"	3/8"	6"
HA-6111CW(1"x55)	1"	55	650	900	144	1/4"	3/8"	6"
HA-6111CW(1"x60)	1"	60	650	900	154	1/4"	3/8"	8"
HA-6111CW(1"x65)	1"	65	650	900	164	1/4"	3/8"	8"
HA-6111CW(1"x70)	1"	70	650	900	174	1/4"	3/8"	8"
HA-6111CW(1-1/2"x5)	1-1/2"	5	950	1290	59	1/4"	3/8"	4"
HA-6111CW(1-1/2"x10)	1-1/2"	10	950	1290	69	1/4"	3/8"	4"
HA-6111CW(1-1/2"x15)	1-1/2"	15	950	1290	79	1/4"	3/8"	4"
HA-6111CW(1-1/2"x20)	1-1/2"	20	950	1290	89	1/4"	3/8"	4"
HA-6111CW(1-1/2"x25)	1-1/2"	25	950	1290	99	1/4"	3/8"	4"
HA-6111CW(1-1/2"x30)	1-1/2"	30	950	1290	109	1/4"	3/8"	4"
HA-6111CW(1-1/2"x35)	1-1/2"	35	950	1290	119	1/4"	3/8"	4"
HA-6111CW(1-1/2"x40)	1-1/2"	40	950	1290	129	1/4"	3/8"	6"
HA-6111CW(1-1/2"x45)	1-1/2"	45	950	1290	139	1/4"	3/8"	6"
HA-6111CW(1-1/2"x50)	1-1/2"	50	950	1290	149	1/4"	3/8"	6"
HA-6111CW(1-1/2"x55)	1-1/2"	55	950	1290	159	1/4"	3/8"	6"
HA-6111CW(1-1/2"x60)	1-1/2"	60	950	1290	169	1/4"	3/8"	8"
HA-6111CW(1-1/2"x65)	1-1/2"	65	950	1290	179	1/4"	3/8"	8"
HA-6111CW(1-1/2"x70)	1-1/2"	70	950	1290	189	1/4"	3/8"	8"
HA-6111CW(2"x5)	2"	5	1100	1620	71	1/4"	3/8"	4"
HA-6111CW(2"x10)	2"	10	1100	1620	81	1/4"	3/8"	4"
HA-6111CW(2"x15)	2"	15	1100	1620	91	1/4"	3/8"	4"
HA-6111CW(2"x20)	2"	20	1100	1620	101	1/4"	3/8"	4"
HA-6111CW(2"x25)	2"	25	1100	1620	111	1/4"	3/8"	4"
HA-6111CW(2"x30)	2"	30	1100	1620	121	1/4"	3/8"	4"
HA-6111CW(2"x35)	2"	35	1100	1620	131	1/4"	3/8"	4"
HA-6111CW(2"x40)	2"	40	1100	1620	141	1/4"	3/8"	6"
HA-6111CW(2"x45)	2"	45	1100	1620	151	1/4"	3/8"	6"
HA-6111CW(2"x50)	2"	50	1100	1620	161	1/4"	3/8"	6"
HA-6111CW(2"x55)	2"	55	1100	1620	171	1/4"	3/8"	6"
HA-6111CW(2"x60)	2"	60	1100	1620	181	1/4"	3/8"	8"
HA-6111CW(2"x65)	2"	65	1100	1620	191	1/4"	3/8"	8"
HA-6111CW(2"x70)	2"	70	1100	1620	201	1/4"	3/8"	8"
HA-6111CW(2-1/2"x5)	2-1/2"	5	1350	1960	84	1/4"	1/2"	4"
HA-6111CW(2-1/2"x10)	2-1/2"	10	1350	1960	94	1/4"	1/2"	4"
HA-6111CW(2-1/2"x15)	2-1/2"	15	1350	1960	104	1/4"	1/2"	4"
HA-6111CW(2-1/2"x20)	2-1/2"	20	1350	1960	114	1/4"	1/2"	4"
HA-6111CW(2-1/2"x25)	2-1/2"	25	1350	1960	124	1/4"	1/2"	4"
HA-6111CW(2-1/2"x30)	2-1/2"	30	1350	1960	134	1/4"	1/2"	4"





Model & Size	Pipe size	Insulation Thk (mm)	Vertical Load (lb)	Axial Load (lb)	Insul OD (mm)	Plate THK (T)	Bolt Dia.	BOP
HA-6111CW(2-1/2"x35)	2-1/2"	35	1350	1960	144	1/4"	1/2"	4"
HA-6111CW(2-1/2"x40)	2-1/2"	40	1350	1960	154	1/4"	1/2"	6"
HA-6111CW(2-1/2"x45)	2-1/2"	45	1350	1960	164	1/4"	1/2"	6"
HA-6111CW(2-1/2"x50)	2-1/2"	50	1350	1960	174	1/4"	1/2"	6"
HA-6111CW(2-1/2"x55)	2-1/2"	55	1350	1960	184	1/4"	1/2"	6"
HA-6111CW(2-1/2"x60)	2-1/2"	60	1350	1960	194	1/4"	1/2"	8"
HA-6111CW(2-1/2"x65)	2-1/2"	65	1350	1960	204	1/4"	1/2"	8"
HA-6111CW(2-1/2"x70)	2-1/2"	70	1350	1960	214	1/4"	1/2"	8"
HA-6111CW(3"x5)	3"	5	1600	3450	99	3/8"	1/2"	4"
HA-6111CW(3"x10)	3"	10	1600	3450	109	3/8"	1/2"	4"
HA-6111CW(3"x15)	3"	15	1600	3450	119	3/8"	1/2"	4"
HA-6111CW(3"x20)	3"	20	1600	3450	129	3/8"	1/2"	4"
HA-6111CW(3"x25)	3"	25	1600	3450	139	3/8"	1/2"	4"
HA-6111CW(3"x30)	3"	30	1600	3450	149	3/8"	1/2"	4"
HA-6111CW(3"x35)	3"	35	1600	3450	159	3/8"	1/2"	4"
HA-6111CW(3"x40)	3"	40	1600	3450	169	3/8"	1/2"	6"
HA-6111CW(3"x45)	3"	45	1600	3450	179	3/8"	1/2"	6"
HA-6111CW(3"x50)	3"	50	1600	3450	189	3/8"	1/2"	6"
HA-6111CW(3"x55)	3"	55	1600	3450	199	3/8"	1/2"	6"
HA-6111CW(3"x60)	3"	60	1600	3450	209	3/8"	1/2"	8"
HA-6111CW(3"x65)	3"	65	1600	3450	219	3/8"	1/2"	8"
HA-6111CW(3"x70)	3"	70	1600	3450	229	3/8"	1/2"	8"
HA-6111CW(4"x5)	4"	5	2500	4100	125	3/8"	1/2"	4"
HA-6111CW(4"x10)	4"	10	2500	4100	135	3/8"	1/2"	4"
HA-6111CW(4"x15)	4"	15	2500	4100	145	3/8"	1/2"	4"
HA-6111CW(4"x20)	4"	20	2500	4100	155	3/8"	1/2"	4"
HA-6111CW(4"x30)	4"	30	2500	4100	175	3/8"	1/2"	4"
HA-6111CW(4"x40)	4"	40	2500	4100	195	3/8"	1/2"	4"
HA-6111CW(4"x50)	4"	50	2500	4100	215	3/8"	1/2"	4"
HA-6111CW(4"x60)	4"	60	2500	4100	235	3/8"	1/2"	6"
HA-6111CW(4"x70)	4"	70	2500	4100	255	3/8"	1/2"	6"
HA-6111CW(4"x80)	4"	80	2500	4100	275	3/8"	1/2"	6"
HA-6111CW(4"x90)	4"	90	2500	4100	295	3/8"	1/2"	6"
HA-6111CW(4"x100)	4"	100	2500	4100	315	3/8"	1/2"	6"
HA-6111CW(5"x5)	5"	5	3100	4750	152	3/8"	1/2"	4"
HA-6111CW(5"x10)	5"	10	3100	4750	162	3/8"	1/2"	4"
HA-6111CW(5"x15)	5"	15	3100	4750	172	3/8"	1/2"	4"
HA-6111CW(5"x20)	5"	20	3100	4750	182	3/8"	1/2"	4"
HA-6111CW(5"x30)	5"	30	3100	4750	202	3/8"	1/2"	4"
HA-6111CW(5"x40)	5"	40	3100	4750	222	3/8"	1/2"	4"
HA-6111CW(5"x50)	5"	50	3100	4750	242	3/8"	1/2"	4"
HA-6111CW(5"x60)	5"	60	3100	4750	262	3/8"	1/2"	6"
HA-6111CW(5"x70)	5"	70	3100	4750	282	3/8"	1/2"	6"
HA-6111CW(5"x80)	5"	80	3100	4750	302	3/8"	1/2"	6"
HA-6111CW(5"x90)	5"	90	3100	4750	322	3/8"	1/2"	6"
HA-6111CW(5"x100)	5"	100	3100	4750	342	3/8"	1/2"	6"
HA-6111CW(6"x5)	6"	5	3800	5400	179	3/8"	1/2"	4"
HA-6111CW(6"x10)	6"	10	3800	5400	189	3/8"	1/2"	4"
HA-6111CW(6"x15)	6"	15	3800	5400	199	3/8"	1/2"	4"
HA-6111CW(6"x20)	6"	20	3800	5400	209	3/8"	1/2"	4"
HA-6111CW(6"x30)	6"	30	3800	5400	229	3/8"	1/2"	4"
HA-6111CW(6"x40)	6"	40	3800	5400	249	3/8"	1/2"	4"
HA-6111CW(6"x50)	6"	50	3800	5400	269	3/8"	1/2"	4"
HA-6111CW(6"x60)	6"	60	3800	5400	289	3/8"	1/2"	6"



Model & Size	Pipe size	Insulation Thk (mm)	Vertical Load (lb)	Axial Load (lb)	Insul OD (mm)	Plate THK (T)	Bolt Dia.	BOP
HA-6111CW(6"x70)	6"	70	3800	5400	309	3/8"	1/2"	6"
HA-6111CW(6"x80)	6"	80	3800	5400	329	3/8"	1/2"	6"
HA-6111CW(6"x90)	6"	90	3800	5400	349	3/8"	1/2"	6"
HA-6111CW(6"x100)	6"	100	3800	5400	369	3/8"	1/2"	6"
HA-6111CW(8"x5)	8"	5	5100	6675	230	3/8"	1/2"	4"
HA-6111CW(8"x10)	8"	10	5100	6675	240	3/8"	1/2"	4"
HA-6111CW(8"x15)	8"	15	5100	6675	250	3/8"	1/2"	4"
HA-6111CW(8"x20)	8"	20	5100	6675	260	3/8"	1/2"	4"
HA-6111CW(8"x30)	8"	30	5100	6675	280	3/8"	1/2"	4"
HA-6111CW(8"x40)	8"	40	5100	6675	300	3/8"	1/2"	4"
HA-6111CW(8"x50)	8"	50	5100	6675	320	3/8"	1/2"	6"
HA-6111CW(8"x60)	8"	60	5100	6675	340	3/8"	1/2"	6"
HA-6111CW(8"x70)	8"	70	5100	6675	360	3/8"	1/2"	6"
HA-6111CW(8"x80)	8"	80	5100	6675	380	3/8"	1/2"	6"
HA-6111CW(8"x90)	8"	90	5100	6675	400	3/8"	1/2"	6"
HA-6111CW(8"x100)	8"	100	5100	6675	420	3/8"	1/2"	6"
HA-6111CW(10"x5)	10"	5	6000	8000	284	3/8"	1/2"	4"
HA-6111CW(10"x10)	10"	10	6000	8000	294	3/8"	1/2"	4"
HA-6111CW(10"x15)	10"	15	6000	8000	304	3/8"	1/2"	4"
HA-6111CW(10"x20)	10"	20	6000	8000	314	3/8"	1/2"	4"
HA-6111CW(10"x30)	10"	30	6000	8000	334	3/8"	1/2"	4"
HA-6111CW(10"x40)	10"	40	6000	8000	354	3/8"	1/2"	4"
HA-6111CW(10"x50)	10"	50	6000	8000	374	3/8"	1/2"	6"
HA-6111CW(10"x60)	10"	60	6000	8000	394	3/8"	1/2"	6"
HA-6111CW(10"x70)	10"	70	6000	8000	414	3/8"	1/2"	6"
HA-6111CW(10"x80)	10"	80	6000	8000	434	3/8"	1/2"	6"
HA-6111CW(10"x90)	10"	90	6000	8000	454	3/8"	1/2"	6"
HA-6111CW(10"x100)	10"	100	6000	8000	474	3/8"	1/2"	6"
HA-6111CW(12"x5)	12"	5	6600	9300	334	3/8"	5/8"	4"
HA-6111CW(12"x10)	12"	10	6600	9300	344	3/8"	5/8"	4"
HA-6111CW(12"x15)	12"	15	6600	9300	354	3/8"	5/8"	4"
HA-6111CW(12"x20)	12"	20	6600	9300	364	3/8"	5/8"	4"
HA-6111CW(12"x30)	12"	30	6600	9300	384	3/8"	5/8"	4"
HA-6111CW(12"x40)	12"	40	6600	9300	404	3/8"	5/8"	4"
HA-6111CW(12"x50)	12"	50	6600	9300	424	3/8"	5/8"	6"
HA-6111CW(12"x60)	12"	60	6600	9300	444	3/8"	5/8"	6"
HA-6111CW(12"x70)	12"	70	6600	9300	464	3/8"	5/8"	6"
HA-6111CW(12"x80)	12"	80	6600	9300	484	3/8"	5/8"	6"
HA-6111CW(12"x90)	12"	90	6600	9300	504	3/8"	5/8"	6"
HA-6111CW(12"x100)	12"	100	6600	9300	524	3/8"	5/8"	6"
HA-6111CW(14"x5)	14"	5	7500	10000	366	3/8"	5/8"	4"
HA-6111CW(14"x10)	14"	10	7500	10000	376	3/8"	5/8"	4"
HA-6111CW(14"x15)	14"	15	7500	10000	386	3/8"	5/8"	4"
HA-6111CW(14"x20)	14"	20	7500	10000	396	3/8"	5/8"	4"
HA-6111CW(14"x30)	14"	30	7500	10000	416	3/8"	5/8"	4"
HA-6111CW(14"x40)	14"	40	7500	10000	436	3/8"	5/8"	4"
HA-6111CW(14"x50)	14"	50	7500	10000	456	3/8"	5/8"	6"
HA-6111CW(14"x60)	14"	60	7500	10000	476	3/8"	5/8"	6"
HA-6111CW(14"x70)	14"	70	7500	10000	496	3/8"	5/8"	6"
HA-6111CW(14"x80)	14"	80	7500	10000	516	3/8"	5/8"	6"
HA-6111CW(14"x90)	14"	90	7500	10000	536	3/8"	5/8"	6"
HA-6111CW(14"x100)	14"	100	7500	10000	556	3/8"	5/8"	6"
HA-6111CW(16"x5)	16"	5	8700	11300	417	1/2"	5/8"	4"
HA-6111CW(16"x10)	16"	10	8700	11300	427	1/2"	5/8"	4"



Model & Size	Pipe size	Insulation Thk (mm)	Vertical Load (lb)	Axial Load (lb)	Insul OD (mm)	Plate THK (T)	Bolt Dia.	BOP
HA-6111CW(16"x15)	16"	15	8700	11300	437	1/2"	5/8"	4"
HA-6111CW(16"x20)	16"	20	8700	11300	447	1/2"	5/8"	4"
HA-6111CW(16"x30)	16"	30	8700	11300	467	1/2"	5/8"	4"
HA-6111CW(16"x40)	16"	40	8700	11300	487	1/2"	5/8"	6"
HA-6111CW(16"x50)	16"	50	8700	11300	507	1/2"	5/8"	6"
HA-6111CW(16"x60)	16"	60	8700	11300	527	1/2"	5/8"	6"
HA-6111CW(16"x70)	16"	70	8700	11300	547	1/2"	5/8"	6"
HA-6111CW(16"x80)	16"	80	8700	11300	567	1/2"	5/8"	8"
HA-6111CW(16"x90)	16"	90	8700	11300	587	1/2"	5/8"	8"
HA-6111CW(16"x100)	16"	100	8700	11300	607	1/2"	5/8"	8"
HA-6111CW(18"x5)	18"	5	9600	12500	468	1/2"	5/8"	4"
HA-6111CW(18"x10)	18"	10	9600	12500	478	1/2"	5/8"	4"
HA-6111CW(18"x15)	18"	15	9600	12500	488	1/2"	5/8"	4"
HA-6111CW(18"x20)	18"	20	9600	12500	498	1/2"	5/8"	4"
HA-6111CW(18"x30)	18"	30	9600	12500	518	1/2"	5/8"	4"
HA-6111CW(18"x40)	18"	40	9600	12500	538	1/2"	5/8"	6"
HA-6111CW(18"x50)	18"	50	9600	12500	558	1/2"	5/8"	6"
HA-6111CW(18"x60)	18"	60	9600	12500	578	1/2"	5/8"	6"
HA-6111CW(18"x70)	18"	70	9600	12500	598	1/2"	5/8"	6"
HA-6111CW(18"x80)	18"	80	9600	12500	618	1/2"	5/8"	8"
HA-6111CW(18"x90)	18"	90	9600	12500	638	1/2"	5/8"	8"
HA-6111CW(18"x100)	18"	100	9600	12500	658	1/2"	5/8"	8"
HA-6111CW(20"x5)	20"	5	10200	13800	518	1/2"	5/8"	4"
HA-6111CW(20"x10)	20"	10	10200	13800	528	1/2"	5/8"	4"
HA-6111CW(20"x15)	20"	15	10200	13800	538	1/2"	5/8"	4"
HA-6111CW(20"x20)	20"	20	10200	13800	548	1/2"	5/8"	4"
HA-6111CW(20"x30)	20"	30	10200	13800	568	1/2"	5/8"	4"
HA-6111CW(20"x40)	20"	40	10200	13800	588	1/2"	5/8"	6"
HA-6111CW(20"x50)	20"	50	10200	13800	608	1/2"	5/8"	6"
HA-6111CW(20"x60)	20"	60	10200	13800	628	1/2"	5/8"	6"
HA-6111CW(20"x70)	20"	70	10200	13800	648	1/2"	5/8"	6"
HA-6111CW(20"x80)	20"	80	10200	13800	668	1/2"	5/8"	8"
HA-6111CW(20"x90)	20"	90	10200	13800	688	1/2"	5/8"	8"
HA-6111CW(20"x100)	20"	100	10200	13800	708	1/2"	5/8"	8"
HA-6111CW(24"x5)	24"	5	10800	16300	620	1/2"	3/4"	4"
HA-6111CW(24"x10)	24"	10	10800	16300	630	1/2"	3/4"	4"
HA-6111CW(24"x15)	24"	15	10800	16300	640	1/2"	3/4"	4"
HA-6111CW(24"x20)	24"	20	10800	16300	650	1/2"	3/4"	4"
HA-6111CW(24"x30)	24"	30	10800	16300	670	1/2"	3/4"	4"
HA-6111CW(24"x40)	24"	40	10800	16300	690	1/2"	3/4"	6"
HA-6111CW(24"x50)	24"	50	10800	16300	710	1/2"	3/4"	6"
HA-6111CW(24"x60)	24"	60	10800	16300	730	1/2"	3/4"	6"
HA-6111CW(24"x70)	24"	70	10800	16300	750	1/2"	3/4"	6"
HA-6111CW(24"x80)	24"	80	10800	16300	770	1/2"	3/4"	8"
HA-6111CW(24"x90)	24"	90	10800	16300	790	1/2"	3/4"	8"
HA-6111CW(24"x100)	24"	100	10800	16300	810	1/2"	3/4"	8"
HA-6111CW(30"x5)	30"	5	14100	20100	772	1/2"	3/4"	4"
HA-6111CW(30"x10)	30"	10	14100	20100	782	1/2"	3/4"	4"
HA-6111CW(30"x15)	30"	15	14100	20100	792	1/2"	3/4"	4"
HA-6111CW(30"x20)	30"	20	14100	20100	802	1/2"	3/4"	4"
HA-6111CW(30"x30)	30"	30	14100	20100	822	1/2"	3/4"	6"
HA-6111CW(30"x40)	30"	40	14100	20100	842	1/2"	3/4"	6"
HA-6111CW(30"x50)	30"	50	14100	20100	862	1/2"	3/4"	6"
HA-6111CW(30"x60)	30"	60	14100	20100	882	1/2"	3/4"	6"



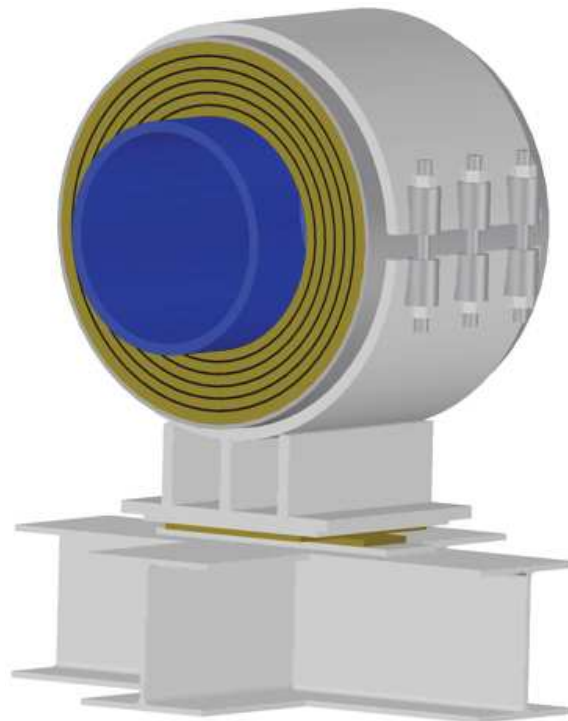
Model & Size	Pipe size	Insulation Thk (mm)	Vertical Load (lb)	Axial Load (lb)	Insul OD (mm)	Plate THK (T)	Bolt Dia.	BOP
HA-6111CW(30"x70)	30"	70	14100	20100	902	1/2"	3/4"	6"
HA-6111CW(30"x80)	30"	80	14100	20100	922	1/2"	3/4"	8"
HA-6111CW(30"x90)	30"	90	14100	20100	942	1/2"	3/4"	8"
HA-6111CW(30"x100)	30"	100	14100	20100	962	1/2"	3/4"	8"
HA-6111CW(36"x5)	36"	5	16500	23900	925	1/2"	3/4"	4"
HA-6111CW(36"x10)	36"	10	16500	23900	935	1/2"	3/4"	4"
HA-6111CW(36"x15)	36"	15	16500	23900	945	1/2"	3/4"	4"
HA-6111CW(36"x20)	36"	20	16500	23900	955	1/2"	3/4"	4"
HA-6111CW(36"x30)	36"	30	16500	23900	975	1/2"	3/4"	6"
HA-6111CW(36"x40)	36"	40	16500	23900	995	1/2"	3/4"	6"
HA-6111CW(36"x50)	36"	50	16500	23900	1015	1/2"	3/4"	6"
HA-6111CW(36"x60)	36"	60	16500	23900	1035	1/2"	3/4"	6"
HA-6111CW(36"x70)	36"	70	16500	23900	1055	1/2"	3/4"	6"
HA-6111CW(36"x80)	36"	80	16500	23900	1075	1/2"	3/4"	8"
HA-6111CW(36"x90)	36"	90	16500	23900	1095	1/2"	3/4"	8"
HA-6111CW(36"x100)	36"	100	16500	23900	1115	1/2"	3/4"	8"
HA-6111CW(42"x5)	42"	5	18600	23900	1077	1/2"	3/4"	4"
HA-6111CW(42"x10)	42"	10	18600	23900	1087	1/2"	3/4"	4"
HA-6111CW(42"x15)	42"	15	18600	23900	1097	1/2"	3/4"	4"
HA-6111CW(42"x20)	42"	20	18600	23900	1107	1/2"	3/4"	4"
HA-6111CW(42"x30)	42"	30	18600	23900	1127	1/2"	3/4"	6"
HA-6111CW(42"x40)	42"	40	18600	23900	1147	1/2"	3/4"	6"
HA-6111CW(42"x50)	42"	50	18600	23900	1167	1/2"	3/4"	6"
HA-6111CW(42"x60)	42"	60	18600	23900	1187	1/2"	3/4"	6"
HA-6111CW(42"x70)	42"	70	18600	23900	1207	1/2"	3/4"	6"
HA-6111CW(42"x80)	42"	80	18600	23900	1227	1/2"	3/4"	8"
HA-6111CW(42"x90)	42"	90	18600	23900	1247	1/2"	3/4"	8"
HA-6111CW(42"x100)	42"	100	18600	23900	1267	1/2"	3/4"	8"





# CryoWrap<sup>™</sup>

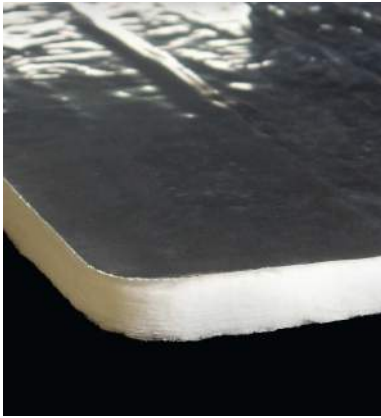
## Product information (Metric)



CryoWrap<sup>™</sup>  
(Metric)

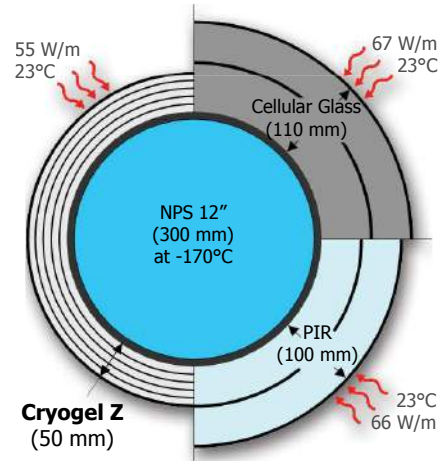
## RILCO CryoWrap™ for Cryogenic and Sub-Ambient Applications

**Service Temperature Ranges: -460°F (-270°C) to 195°F (90°C)**



CryoWrap™ pipe supports utilize Aspen Aerogel's Cryogel™ Z with an integral vapor barrier and are specifically engineered with 50%-75% less thickness, lighter weight and no water permeability.

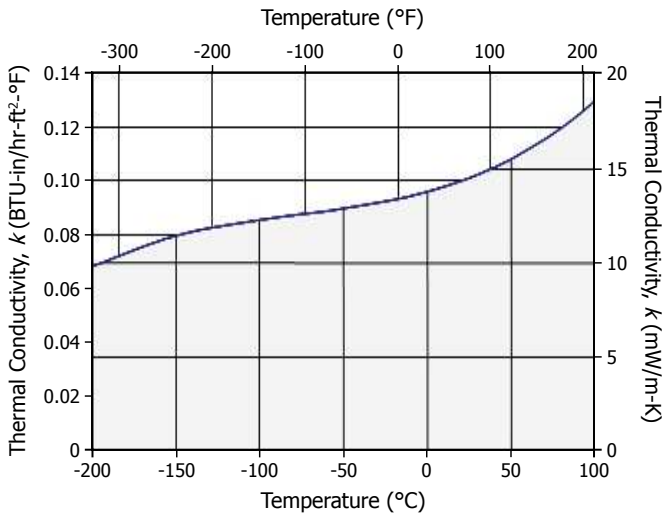
CryoWrap™ pipe supports provide unique properties which makes them the ultimate in thermal protection for cryogenic requirements. The extremely low thermal conductivity reduces heat gain and liquid “boil-off” with no water access or egress. While the superior resistant to mechanical abuse attests to the product’s durability, the smaller circumference eases installation and reduces labor costs.



All three designs meet the same condensation control criteria

### Thermal Conductivity†

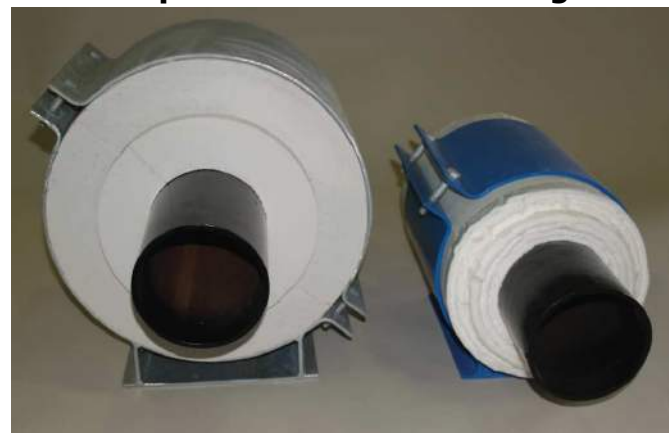
ASTM C 177 Results



Mean Temp. °C	-200	-150	-100	-50	0	50	100
°F	-328	-238	-148	-58	32	122	212
k mW/m-K	9.8	11.4	12.3	12.9	13.8	15.5	18.6
BTU-in/hr-ft²-°F	0.0681	0.0793	0.0852	0.0894	0.0956	0.1076	0.1291

†Thermal conductivity measurements taken at a compressive load of 2 psi.

### Comparable Insulation Ratings



Polyurethane

CryoWrap™

### Physical Properties

<b>Thicknesses*</b>	0.20 in (5 mm)	0.40 in (10 mm)
<b>Material Form*</b>	57 in (1,450 mm) wide x 211 ft (64 m) long rolls	57 in (1,450 mm) wide x 126 ft (38 m) long rolls
<b>Max. Use Temp.</b>	194°F (90°C)	
<b>Color</b>	White	
<b>Density*</b>	8.0 lb/ft³ (0.13 g/cc)	
<b>Hydrophobic</b>	Yes	

\*Nominal Values

## RILCO CryoWrap™ - Properties

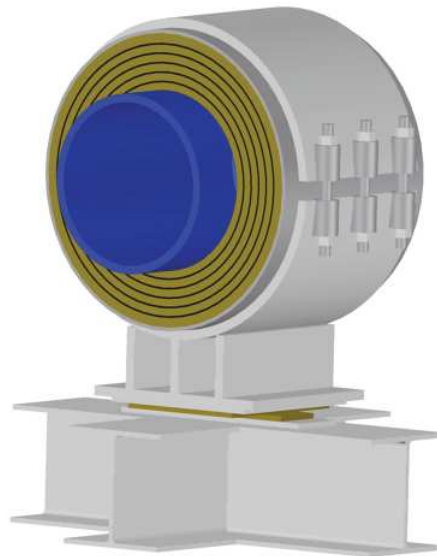
Service Temperature Ranges: -460°F (-270°C) to 195°F (90°C)

**Thermal Performance:** CryoWrap™ pipe supports have the lowest thermal conductivity of any support available for cryogenic or sub-ambient applications. They are much smaller in circumference than other supports, which means, a smaller surface area therefore reduced heat gain. In most instances condensation control thickness is sufficient to meet the desired heat gain limits. This heat gain “safety factor” maximizes system performance by improving process control, reducing boiloff and saving energy. The thermal performance remains constant due to the fact that there are no blowing agents to diffuse out.

**Moisture and Vapor Resistance:** CryoWrap™ pipe supports with their integral vapor barrier, provides the only zero permeable system available for cryogenic applications.

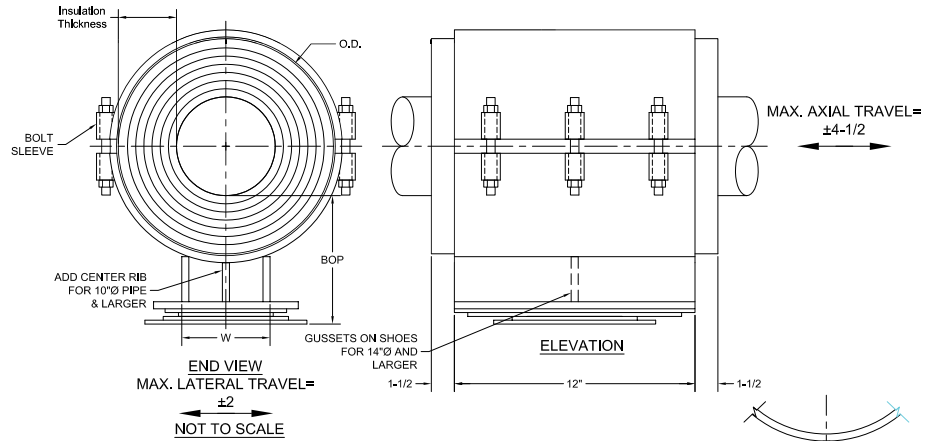
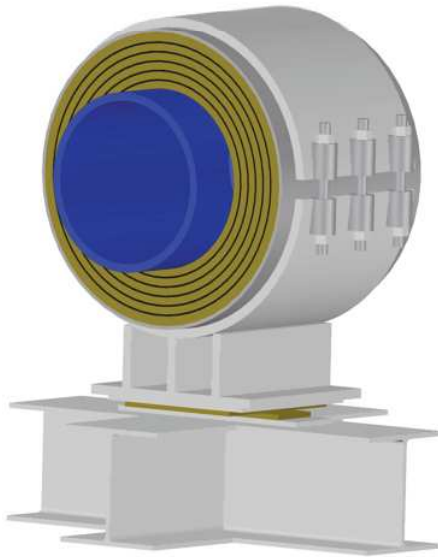
**Structural Integrity:** CryoWrap™ pipe supports are the only choice for sub-ambient and cryogenic applications because they remain flexible and experience no thermal shock. Therefore the usual issues of degraded insulation caused by contraction, extreme stresses, damaged structure and the typical freeze-thaw crack propagation problems encountered with the standard rigid cellular insulation mediums are no longer a concern.

**Dimensional Stability:** CryoWrap™ pipe supports allow minimal movement of the insulated system because of a coefficient of thermal expansion which rivals stainless steel. Their low contraction rate and flexibility eliminates the need for the labor intensive and more costly expansion/contraction joints required by other products.



### Specification Compliance and Performance

Test Procedure	Property	Results
ASTM C 165	Compressive Stress Strain	7.5 psi @ 10%, 25.0 psi @ 25%
ASTM C 871	Standard Specification for Thermal Insulation for Use in Contact With Austenitic Steel	PASS
ASTM C 1101	Flexibility	Flexible
ASTM C 1101	Flexibility at Cryogenic Temperature	Resilient Flexible
ASTM C 1104	Water Vapor Sorption	<1.1% (mass)
ASTM C 1511	Water Retention after Submersion in Water	<4% (mass)
ASTM E 84	Flame and Smoke Spread	Class A: FSI <5 SDI 20
ASTM E 96	Water Vapor Transmission Rate (with vapor barrier)	0.00 perm
ASTM E 228	Linear Coefficient of Thermal Expansion (@ -150°C)	x 1.26 x 10 <sup>-5</sup> K <sup>-1</sup> y 1.34 x 10 <sup>-5</sup> K <sup>-1</sup>
UL 1709	Structural Steel Fire Protection	30 mm → 147 min    175 mm → 173 min 50 mm → 109 min    100 mm → 180+ min



\* W = .55 x O.D.

\*\* 4" FOR INSULATION THKS. <= 4"  
 \*\* 6-1/2" FOR INSULATION THKS. > 4"  
 PIPE SIZES 4" & SMALLER

Model & Size	Pipe size	Insulation Thk (mm)	Load (N)	Insul OD (mm)	Plate THK	Bolt Dia.	BOP
CS-6111CW(1/2"x5)	1/2"	5	1557	32	4.8	9.5	102
CS-6111CW(1/2"x10)	1/2"	10	1557	42	4.8	9.5	102
CS-6111CW(1/2"x15)	1/2"	15	1557	52	4.8	9.5	102
CS-6111CW(1/2"x20)	1/2"	20	1557	62	4.8	9.5	102
CS-6111CW(1/2"x25)	1/2"	25	1557	72	4.8	9.5	102
CS-6111CW(1/2"x30)	1/2"	30	1557	82	4.8	9.5	102
CS-6111CW(1/2"x35)	1/2"	35	1557	92	4.8	9.5	102
CS-6111CW(1/2"x40)	1/2"	40	1557	102	4.8	9.5	152
CS-6111CW(1/2"x45)	1/2"	45	1557	112	4.8	9.5	152
CS-6111CW(1/2"x50)	1/2"	50	1557	122	4.8	9.5	152
CS-6111CW(1/2"x55)	1/2"	55	1557	132	4.8	9.5	152
CS-6111CW(1/2"x60)	1/2"	60	1557	142	4.8	9.5	203
CS-6111CW(1/2"x65)	1/2"	65	1557	152	4.8	9.5	203
CS-6111CW(1/2"x70)	1/2"	70	1557	162	4.8	9.5	203
CS-6111CW(3/4"x5)	3/4"	5	2002	37	4.8	9.5	102
CS-6111CW(3/4"x10)	3/4"	10	2002	47	4.8	9.5	102
CS-6111CW(3/4"x15)	3/4"	15	2002	57	4.8	9.5	102
CS-6111CW(3/4"x20)	3/4"	20	2002	67	4.8	9.5	102
CS-6111CW(3/4"x25)	3/4"	25	2002	77	4.8	9.5	102
CS-6111CW(3/4"x30)	3/4"	30	2002	87	4.8	9.5	102
CS-6111CW(3/4"x35)	3/4"	35	2002	97	4.8	9.5	102
CS-6111CW(3/4"x40)	3/4"	40	2002	107	4.8	9.5	152

(Continued on following pages)

**Applications and Features**

- Accommodates Axial Travel up to +/- 4-1/2" on center or 9" if shoe is offset from supporting steel.
- For Axial movements 4-1/2" and larger please contact RILCO.
- Accommodates Lateral Travel to +/- 2"
- Temperature Range -460° F to 195° F.
- Higher Temperature Applications Available.
- Teflon Slide plates on shoe and supporting steel.
- Design loads based on safety factor of 5.

- A-36 steel construction.
- See technical Specification RHS-850
- Test results available upon request.
- Steel finish available in Galvanized or painted finishes.
- Support constructed in accordance with ASME B31.1, B31.3 and MSS-SP58.
- A307 or B7 plated bolts/studs.
- For special applications, or for information on other Insulation and Pipe sizes, contact Factory
- Utilizes RILCO proprietary low profile ears.



Model & Size	Pipe size	Insulation Thk (mm)	Load (N)	Insul OD (mm)	Plate THK	Bolt Dia.	BOP
CS-6111CW(3/4"x45)	3/4"	45	2002	117	4.8	9.5	152
CS-6111CW(3/4"x50)	3/4"	50	2002	127	4.8	9.5	152
CS-6111CW(3/4"x55)	3/4"	55	2002	137	4.8	9.5	152
CS-6111CW(3/4"x60)	3/4"	60	2002	147	4.8	9.5	203
CS-6111CW(3/4"x65)	3/4"	65	2002	157	4.8	9.5	203
CS-6111CW(3/4"x70)	3/4"	70	2002	167	4.8	9.5	203
CS-6111CW(1"x5)	1"	5	2669	44	4.8	9.5	102
CS-6111CW(1"x10)	1"	10	2669	54	4.8	9.5	102
CS-6111CW(1"x15)	1"	15	2669	64	4.8	9.5	102
CS-6111CW(1"x20)	1"	20	2669	74	4.8	9.5	102
CS-6111CW(1"x25)	1"	25	2669	84	4.8	9.5	102
CS-6111CW(1"x30)	1"	30	2669	94	4.8	9.5	102
CS-6111CW(1"x35)	1"	35	2669	104	4.8	9.5	102
CS-6111CW(1"x40)	1"	40	2669	114	4.8	9.5	152
CS-6111CW(1"x45)	1"	45	2669	124	4.8	9.5	152
CS-6111CW(1"x50)	1"	50	2669	134	4.8	9.5	152
CS-6111CW(1"x55)	1"	55	2669	144	4.8	9.5	152
CS-6111CW(1"x60)	1"	60	2669	154	4.8	9.5	203
CS-6111CW(1"x65)	1"	65	2669	164	4.8	9.5	203
CS-6111CW(1"x70)	1"	70	2669	174	4.8	9.5	203
CS-6111CW(1-1/2"x5)	1-1/2"	5	3870	59	6.4	9.5	102
CS-6111CW(1-1/2"x10)	1-1/2"	10	3870	69	6.4	9.5	102
CS-6111CW(1-1/2"x15)	1-1/2"	15	3870	79	6.4	9.5	102
CS-6111CW(1-1/2"x20)	1-1/2"	20	3870	89	6.4	9.5	102
CS-6111CW(1-1/2"x25)	1-1/2"	25	3870	99	6.4	9.5	102
CS-6111CW(1-1/2"x30)	1-1/2"	30	3870	109	6.4	9.5	102
CS-6111CW(1-1/2"x35)	1-1/2"	35	3870	119	6.4	9.5	102
CS-6111CW(1-1/2"x40)	1-1/2"	40	3870	129	6.4	9.5	152
CS-6111CW(1-1/2"x45)	1-1/2"	45	3870	139	6.4	9.5	152
CS-6111CW(1-1/2"x50)	1-1/2"	50	3870	149	6.4	9.5	152
CS-6111CW(1-1/2"x55)	1-1/2"	55	3870	159	6.4	9.5	152
CS-6111CW(1-1/2"x60)	1-1/2"	60	3870	169	6.4	9.5	203
CS-6111CW(1-1/2"x65)	1-1/2"	65	3870	179	6.4	9.5	203
CS-6111CW(1-1/2"x70)	1-1/2"	70	3870	189	6.4	9.5	203
CS-6111CW(2"x5)	2"	5	4849	71	6.4	9.5	102
CS-6111CW(2"x10)	2"	10	4849	81	6.4	9.5	102
CS-6111CW(2"x15)	2"	15	4849	91	6.4	9.5	102
CS-6111CW(2"x20)	2"	20	4849	101	6.4	9.5	102
CS-6111CW(2"x25)	2"	25	4849	111	6.4	9.5	102
CS-6111CW(2"x30)	2"	30	4849	121	6.4	9.5	102
CS-6111CW(2"x35)	2"	35	4849	131	6.4	9.5	102
CS-6111CW(2"x40)	2"	40	4849	141	6.4	9.5	152
CS-6111CW(2"x45)	2"	45	4849	151	6.4	9.5	152
CS-6111CW(2"x50)	2"	50	4849	161	6.4	9.5	152
CS-6111CW(2"x55)	2"	55	4849	171	6.4	9.5	152
CS-6111CW(2"x60)	2"	60	4849	181	6.4	9.5	203
CS-6111CW(2"x65)	2"	65	4849	191	6.4	9.5	203
CS-6111CW(2"x70)	2"	70	4849	201	6.4	9.5	203
CS-6111CW(2-1/2"x5)	2-1/2"	5	5828	84	6.4	12.7	102
CS-6111CW(2-1/2"x10)	2-1/2"	10	5828	94	6.4	12.7	102
CS-6111CW(2-1/2"x15)	2-1/2"	15	5828	104	6.4	12.7	102
CS-6111CW(2-1/2"x20)	2-1/2"	20	5828	114	6.4	12.7	102
CS-6111CW(2-1/2"x25)	2-1/2"	25	5828	124	6.4	12.7	102
CS-6111CW(2-1/2"x30)	2-1/2"	30	5828	134	6.4	12.7	102





Model & Size	Pipe size	Insulation Thk (mm)	Load (N)	Insul OD (mm)	Plate THK	Bolt Dia.	BOP
CS-6111CW(2-1/2"x35)	2-1/2"	35	5828	144	6.4	12.7	102
CS-6111CW(2-1/2"x40)	2-1/2"	40	5828	154	6.4	12.7	152
CS-6111CW(2-1/2"x45)	2-1/2"	45	5828	164	6.4	12.7	152
CS-6111CW(2-1/2"x50)	2-1/2"	50	5828	174	6.4	12.7	152
CS-6111CW(2-1/2"x55)	2-1/2"	55	5828	184	6.4	12.7	152
CS-6111CW(2-1/2"x60)	2-1/2"	60	5828	194	6.4	12.7	203
CS-6111CW(2-1/2"x65)	2-1/2"	65	5828	204	6.4	12.7	203
CS-6111CW(2-1/2"x70)	2-1/2"	70	5828	214	6.4	12.7	203
CS-6111CW(3"x5)	3"	5	7118	99	6.4	12.7	102
CS-6111CW(3"x10)	3"	10	7118	109	6.4	12.7	102
CS-6111CW(3"x15)	3"	15	7118	119	6.4	12.7	102
CS-6111CW(3"x20)	3"	20	7118	129	6.4	12.7	102
CS-6111CW(3"x25)	3"	25	7118	139	6.4	12.7	102
CS-6111CW(3"x30)	3"	30	7118	149	6.4	12.7	102
CS-6111CW(3"x35)	3"	35	7118	159	6.4	12.7	102
CS-6111CW(3"x40)	3"	40	7118	169	6.4	12.7	152
CS-6111CW(3"x45)	3"	45	7118	179	6.4	12.7	152
CS-6111CW(3"x50)	3"	50	7118	189	6.4	12.7	152
CS-6111CW(3"x55)	3"	55	7118	199	6.4	12.7	152
CS-6111CW(3"x60)	3"	60	7118	209	6.4	12.7	203
CS-6111CW(3"x65)	3"	65	7118	219	6.4	12.7	203
CS-6111CW(3"x70)	3"	70	7118	229	6.4	12.7	203
CS-6111CW(4"x5)	4"	5	11121	125	9.5	12.7	102
CS-6111CW(4"x10)	4"	10	11121	135	9.5	12.7	102
CS-6111CW(4"x15)	4"	15	11121	145	9.5	12.7	102
CS-6111CW(4"x20)	4"	20	11121	155	9.5	12.7	102
CS-6111CW(4"x30)	4"	30	11121	175	9.5	12.7	102
CS-6111CW(4"x40)	4"	40	11121	195	9.5	12.7	102
CS-6111CW(4"x50)	4"	50	11121	215	9.5	12.7	102
CS-6111CW(4"x60)	4"	60	11121	235	9.5	12.7	152
CS-6111CW(4"x70)	4"	70	11121	255	9.5	12.7	152
CS-6111CW(4"x80)	4"	80	11121	275	9.5	12.7	152
CS-6111CW(4"x90)	4"	90	11121	295	9.5	12.7	152
CS-6111CW(4"x100)	4"	100	11121	315	9.5	12.7	152
CS-6111CW(5"x5)	5"	5	13790	152	9.5	12.7	102
CS-6111CW(5"x10)	5"	10	13790	162	9.5	12.7	102
CS-6111CW(5"x15)	5"	15	13790	172	9.5	12.7	102
CS-6111CW(5"x20)	5"	20	13790	182	9.5	12.7	102
CS-6111CW(5"x30)	5"	30	13790	202	9.5	12.7	102
CS-6111CW(5"x40)	5"	40	13790	222	9.5	12.7	102
CS-6111CW(5"x50)	5"	50	13790	242	9.5	12.7	102
CS-6111CW(5"x60)	5"	60	13790	262	9.5	12.7	152
CS-6111CW(5"x70)	5"	70	13790	282	9.5	12.7	152
CS-6111CW(5"x80)	5"	80	13790	302	9.5	12.7	152
CS-6111CW(5"x90)	5"	90	13790	322	9.5	12.7	152
CS-6111CW(5"x100)	5"	100	13790	342	9.5	12.7	152
CS-6111CW(6"x5)	6"	5	16904	179	9.5	12.7	102
CS-6111CW(6"x10)	6"	10	16904	189	9.5	12.7	102
CS-6111CW(6"x15)	6"	15	16904	199	9.5	12.7	102
CS-6111CW(6"x20)	6"	20	16904	209	9.5	12.7	102
CS-6111CW(6"x30)	6"	30	16904	229	9.5	12.7	102
CS-6111CW(6"x40)	6"	40	16904	249	9.5	12.7	102
CS-6111CW(6"x50)	6"	50	16904	269	9.5	12.7	102
CS-6111CW(6"x60)	6"	60	16904	289	9.5	12.7	152



Model & Size	Pipe size	Insulation Thk (mm)	Load (N)	Insul OD (mm)	Plate THK	Bolt Dia.	BOP
CS-6111CW(6"x70)	6"	70	16904	309	9.5	12.7	152
CS-6111CW(6"x80)	6"	80	16904	329	9.5	12.7	152
CS-6111CW(6"x90)	6"	90	16904	349	9.5	12.7	152
CS-6111CW(6"x100)	6"	100	16904	369	9.5	12.7	152
CS-6111CW(8"x5)	8"	5	22686	230	9.5	12.7	102
CS-6111CW(8"x10)	8"	10	22686	240	9.5	12.7	102
CS-6111CW(8"x15)	8"	15	22686	250	9.5	12.7	102
CS-6111CW(8"x20)	8"	20	22686	260	9.5	12.7	102
CS-6111CW(8"x30)	8"	30	22686	280	9.5	12.7	102
CS-6111CW(8"x40)	8"	40	22686	300	9.5	12.7	102
CS-6111CW(8"x50)	8"	50	22686	320	9.5	12.7	152
CS-6111CW(8"x60)	8"	60	22686	340	9.5	12.7	152
CS-6111CW(8"x70)	8"	70	22686	360	9.5	12.7	152
CS-6111CW(8"x80)	8"	80	22686	380	9.5	12.7	152
CS-6111CW(8"x90)	8"	90	22686	400	9.5	12.7	152
CS-6111CW(8"x100)	8"	100	22686	420	9.5	12.7	152
CS-6111CW(10"x5)	10"	5	26690	284	9.5	12.7	102
CS-6111CW(10"x10)	10"	10	26690	294	9.5	12.7	102
CS-6111CW(10"x15)	10"	15	26690	304	9.5	12.7	102
CS-6111CW(10"x20)	10"	20	26690	314	9.5	12.7	102
CS-6111CW(10"x30)	10"	30	26690	334	9.5	12.7	102
CS-6111CW(10"x40)	10"	40	26690	354	9.5	12.7	102
CS-6111CW(10"x50)	10"	50	26690	374	9.5	12.7	152
CS-6111CW(10"x60)	10"	60	26690	394	9.5	12.7	152
CS-6111CW(10"x70)	10"	70	26690	414	9.5	12.7	152
CS-6111CW(10"x80)	10"	80	26690	434	9.5	12.7	152
CS-6111CW(10"x90)	10"	90	26690	454	9.5	12.7	152
CS-6111CW(10"x100)	10"	100	26690	474	9.5	12.7	152
CS-6111CW(12"x5)	12"	5	29359	334	9.5	15.9	102
CS-6111CW(12"x10)	12"	10	29359	344	9.5	15.9	102
CS-6111CW(12"x15)	12"	15	29359	354	9.5	15.9	102
CS-6111CW(12"x20)	12"	20	29359	364	9.5	15.9	102
CS-6111CW(12"x30)	12"	30	29359	384	9.5	15.9	102
CS-6111CW(12"x40)	12"	40	29359	404	9.5	15.9	102
CS-6111CW(12"x50)	12"	50	29359	424	9.5	15.9	152
CS-6111CW(12"x60)	12"	60	29359	444	9.5	15.9	152
CS-6111CW(12"x70)	12"	70	29359	464	9.5	15.9	152
CS-6111CW(12"x80)	12"	80	29359	484	9.5	15.9	152
CS-6111CW(12"x90)	12"	90	29359	504	9.5	15.9	152
CS-6111CW(12"x100)	12"	100	29359	524	9.5	15.9	152
CS-6111CW(14"x5)	14"	5	33362	366	9.5	15.9	102
CS-6111CW(14"x10)	14"	10	33362	376	9.5	15.9	102
CS-6111CW(14"x15)	14"	15	33362	386	9.5	15.9	102
CS-6111CW(14"x20)	14"	20	33362	396	9.5	15.9	102
CS-6111CW(14"x30)	14"	30	33362	416	9.5	15.9	102
CS-6111CW(14"x40)	14"	40	33362	436	9.5	15.9	102
CS-6111CW(14"x50)	14"	50	33362	456	9.5	15.9	152
CS-6111CW(14"x60)	14"	60	33362	476	9.5	15.9	152
CS-6111CW(14"x70)	14"	70	33362	496	9.5	15.9	152
CS-6111CW(14"x80)	14"	80	33362	516	9.5	15.9	152
CS-6111CW(14"x90)	14"	90	33362	536	9.5	15.9	152
CS-6111CW(14"x100)	14"	100	33362	556	9.5	15.9	152
CS-6111CW(16"x5)	16"	5	38700	417	9.5	15.9	102
CS-6111CW(16"x10)	16"	10	38700	427	9.5	15.9	102



Model & Size	Pipe size	Insulation Thk (mm)	Load (N)	Insul OD (mm)	Plate THK	Bolt Dia.	BOP
CS-6111CW(16"x15)	16"	15	38700	437	9.5	15.9	102
CS-6111CW(16"x20)	16"	20	38700	447	9.5	15.9	102
CS-6111CW(16"x30)	16"	30	38700	467	9.5	15.9	102
CS-6111CW(16"x40)	16"	40	38700	487	9.5	15.9	152
CS-6111CW(16"x50)	16"	50	38700	507	9.5	15.9	152
CS-6111CW(16"x60)	16"	60	38700	527	9.5	15.9	152
CS-6111CW(16"x70)	16"	70	38700	547	9.5	15.9	152
CS-6111CW(16"x80)	16"	80	38700	567	9.5	15.9	203
CS-6111CW(16"x90)	16"	90	38700	587	9.5	15.9	203
CS-6111CW(16"x100)	16"	100	38700	607	9.5	15.9	203
CS-6111CW(18"x5)	18"	5	42703	468	9.5	15.9	102
CS-6111CW(18"x10)	18"	10	42703	478	9.5	15.9	102
CS-6111CW(18"x15)	18"	15	42703	488	9.5	15.9	102
CS-6111CW(18"x20)	18"	20	42703	498	9.5	15.9	102
CS-6111CW(18"x30)	18"	30	42703	518	9.5	15.9	102
CS-6111CW(18"x40)	18"	40	42703	538	9.5	15.9	152
CS-6111CW(18"x50)	18"	50	42703	558	9.5	15.9	152
CS-6111CW(18"x60)	18"	60	42703	578	9.5	15.9	152
CS-6111CW(18"x70)	18"	70	42703	598	9.5	15.9	152
CS-6111CW(18"x80)	18"	80	42703	618	9.5	15.9	203
CS-6111CW(18"x90)	18"	90	42703	638	9.5	15.9	203
CS-6111CW(18"x100)	18"	100	42703	658	9.5	15.9	203
CS-6111CW(20"x5)	20"	5	45372	518	9.5	15.9	102
CS-6111CW(20"x10)	20"	10	45372	528	9.5	15.9	102
CS-6111CW(20"x15)	20"	15	45372	538	9.5	15.9	102
CS-6111CW(20"x20)	20"	20	45372	548	9.5	15.9	102
CS-6111CW(20"x30)	20"	30	45372	568	9.5	15.9	102
CS-6111CW(20"x40)	20"	40	45372	588	9.5	15.9	152
CS-6111CW(20"x50)	20"	50	45372	608	9.5	15.9	152
CS-6111CW(20"x60)	20"	60	45372	628	9.5	15.9	152
CS-6111CW(20"x70)	20"	70	45372	648	9.5	15.9	152
CS-6111CW(20"x80)	20"	80	45372	668	9.5	15.9	203
CS-6111CW(20"x90)	20"	90	45372	688	9.5	15.9	203
CS-6111CW(20"x100)	20"	100	45372	708	9.5	15.9	203
CS-6111CW(24"x5)	24"	5	48041	620	9.5	19.1	102
CS-6111CW(24"x10)	24"	10	48041	630	9.5	19.1	102
CS-6111CW(24"x15)	24"	15	48041	640	9.5	19.1	102
CS-6111CW(24"x20)	24"	20	48041	650	9.5	19.1	102
CS-6111CW(24"x30)	24"	30	48041	670	9.5	19.1	102
CS-6111CW(24"x40)	24"	40	48041	690	9.5	19.1	152
CS-6111CW(24"x50)	24"	50	48041	710	9.5	19.1	152
CS-6111CW(24"x60)	24"	60	48041	730	9.5	19.1	152
CS-6111CW(24"x70)	24"	70	48041	750	9.5	19.1	152
CS-6111CW(24"x80)	24"	80	48041	770	9.5	19.1	203
CS-6111CW(24"x90)	24"	90	48041	790	9.5	19.1	203
CS-6111CW(24"x100)	24"	100	48041	810	9.5	19.1	203
CS-6111CW(30"x5)	30"	5	62720	772	12.7	19.1	102
CS-6111CW(30"x10)	30"	10	62720	782	12.7	19.1	102
CS-6111CW(30"x15)	30"	15	62720	792	12.7	19.1	102
CS-6111CW(30"x20)	30"	20	62720	802	12.7	19.1	102
CS-6111CW(30"x30)	30"	30	62720	822	12.7	19.1	152
CS-6111CW(30"x40)	30"	40	62720	842	12.7	19.1	152
CS-6111CW(30"x50)	30"	50	62720	862	12.7	19.1	152
CS-6111CW(30"x60)	30"	60	62720	882	12.7	19.1	152

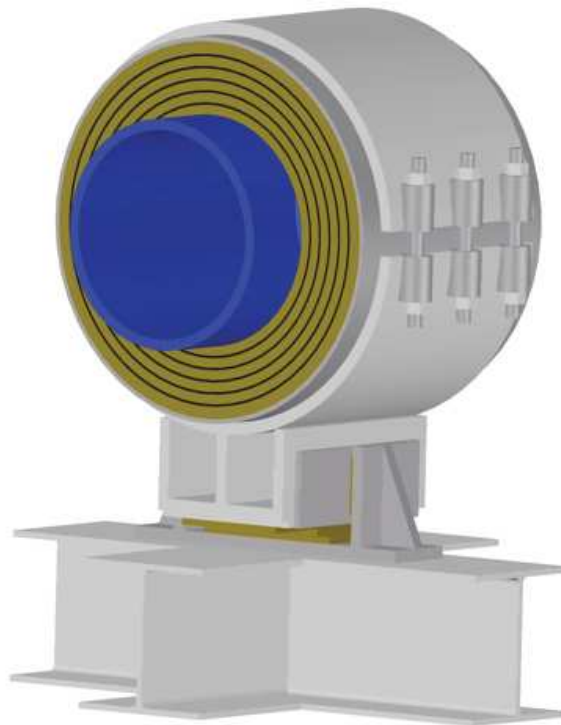


Model & Size	Pipe size	Insulation Thk (mm)	Load (N)	Insul OD (mm)	Plate THK	Bolt Dia.	BOP
CS-6111CW(30"x70)	30"	70	62720	902	12.7	19.1	152
CS-6111CW(30"x80)	30"	80	62720	922	12.7	19.1	203
CS-6111CW(30"x90)	30"	90	62720	942	12.7	19.1	203
CS-6111CW(30"x100)	30"	100	62720	962	12.7	19.1	203
CS-6111CW(36"x5)	36"	5	73396	925	12.7	19.1	102
CS-6111CW(36"x10)	36"	10	73396	935	12.7	19.1	102
CS-6111CW(36"x15)	36"	15	73396	945	12.7	19.1	102
CS-6111CW(36"x20)	36"	20	73396	955	12.7	19.1	102
CS-6111CW(36"x30)	36"	30	73396	975	12.7	19.1	152
CS-6111CW(36"x40)	36"	40	73396	995	12.7	19.1	152
CS-6111CW(36"x50)	36"	50	73396	1015	12.7	19.1	152
CS-6111CW(36"x60)	36"	60	73396	1035	12.7	19.1	152
CS-6111CW(36"x70)	36"	70	73396	1055	12.7	19.1	152
CS-6111CW(36"x80)	36"	80	73396	1075	12.7	19.1	203
CS-6111CW(36"x90)	36"	90	73396	1095	12.7	19.1	203
CS-6111CW(36"x100)	36"	100	73396	1115	12.7	19.1	203
CS-6111CW(42"x5)	42"	5	73396	1077	12.7	19.1	102
CS-6111CW(42"x10)	42"	10	73396	1087	12.7	19.1	102
CS-6111CW(42"x15)	42"	15	73396	1097	12.7	19.1	102
CS-6111CW(42"x20)	42"	20	73396	1107	12.7	19.1	102
CS-6111CW(42"x30)	42"	30	73396	1127	12.7	19.1	152
CS-6111CW(42"x40)	42"	40	73396	1147	12.7	19.1	152
CS-6111CW(42"x50)	42"	50	73396	1167	12.7	19.1	152
CS-6111CW(42"x60)	42"	60	73396	1187	12.7	19.1	152
CS-6111CW(42"x70)	42"	70	73396	1207	12.7	19.1	152
CS-6111CW(42"x80)	42"	80	73396	1227	12.7	19.1	203
CS-6111CW(42"x90)	42"	90	73396	1247	12.7	19.1	203
CS-6111CW(42"x100)	42"	100	73396	1267	12.7	19.1	203

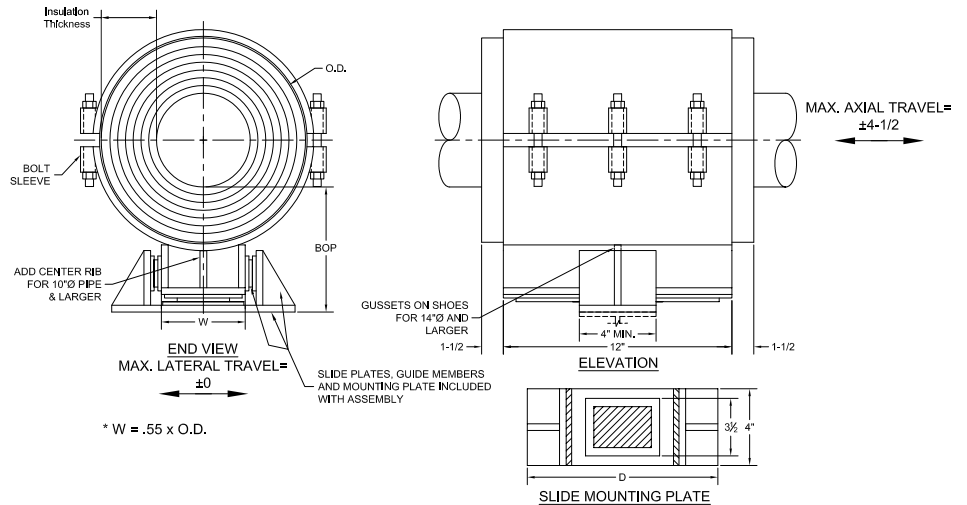
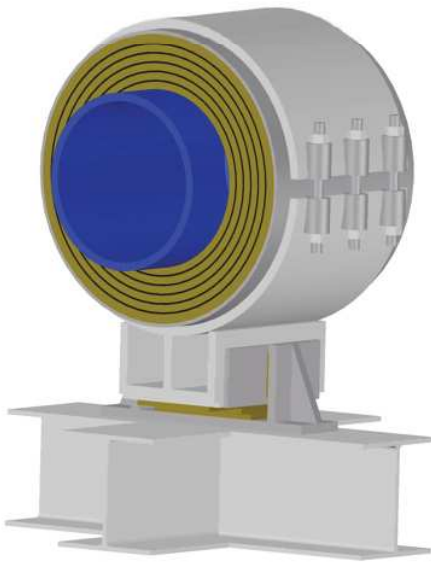




# CryoWrap<sup>™</sup> Cold Guide Engineering Data



CryoWrap<sup>™</sup> Guides  
(Metric)



Model & Size	Pipe size	Insulation Thk (mm)	Load (N)	Insul OD (mm)	Plate THK	Bolt Dia.	BOP	D
CG-6111CW(1/2"x5)	1/2"	5	1669	32	4.8	9.5	102	151
CG-6111CW(1/2"x10)	1/2"	10	1669	42	4.8	9.5	102	156
CG-6111CW(1/2"x15)	1/2"	15	1669	52	4.8	9.5	102	162
CG-6111CW(1/2"x20)	1/2"	20	1669	62	4.8	9.5	102	167
CG-6111CW(1/2"x25)	1/2"	25	1669	72	4.8	9.5	102	173
CG-6111CW(1/2"x30)	1/2"	30	1669	82	4.8	9.5	102	178
CG-6111CW(1/2"x35)	1/2"	35	1669	92	4.8	9.5	102	184
CG-6111CW(1/2"x40)	1/2"	40	1669	102	4.8	9.5	152	189
CG-6111CW(1/2"x45)	1/2"	45	1669	112	4.8	9.5	152	195
CG-6111CW(1/2"x50)	1/2"	50	1669	122	4.8	9.5	152	200
CG-6111CW(1/2"x55)	1/2"	55	1669	132	4.8	9.5	152	206
CG-6111CW(1/2"x60)	1/2"	60	1669	142	4.8	9.5	203	211
CG-6111CW(1/2"x65)	1/2"	65	1669	152	4.8	9.5	203	217
CG-6111CW(1/2"x70)	1/2"	70	1669	162	4.8	9.5	203	222
CG-6111CW(3/4"x5)	3/4"	5	2069	37	4.8	9.5	102	154
CG-6111CW(3/4"x10)	3/4"	10	2069	47	4.8	9.5	102	159
CG-6111CW(3/4"x15)	3/4"	15	2069	57	4.8	9.5	102	165
CG-6111CW(3/4"x20)	3/4"	20	2069	67	4.8	9.5	102	170
CG-6111CW(3/4"x25)	3/4"	25	2069	77	4.8	9.5	102	176
CG-6111CW(3/4"x30)	3/4"	30	2069	87	4.8	9.5	102	181
CG-6111CW(3/4"x35)	3/4"	35	2069	97	4.8	9.5	102	187
CG-6111CW(3/4"x40)	3/4"	40	2069	107	4.8	9.5	152	192

(Continued on following pages)

**Applications and Features**

- Accommodates Axial Travel up to +/- 4-1/2" on center or 9" if shoe is offset from supporting steel.
- For Axial movements 4-1/2" and larger please contact RILCO.
- Temperature Range -460° F to 195° F.
- Higher Temperature Applications Available.
- Teflon Slide plates on shoe and supporting steel.
- Design loads based on safety factor of 5.
- Supports lateral guide loads up to 50% of actual vertical load.

- A-36 steel construction.
- See technical Specification RHS-850
- Test results available upon request.
- Steel finish available in Galvanized or painted finishes.
- Support constructed in accordance with ASME B31.1, B31.3 and MSS-SP58.
- A307 or B7 plated bolts/studs.
- For special applications, or for information on other Insulation and Pipe sizes, contact Factory
- Utilizes RILCO proprietary low profile ears.



Model & Size	Pipe size	Insulation Thk (mm)	Load (N)	Insul OD (mm)	Plate THK	Bolt Dia.	BOP	D
CG-6111CW(3/4"x45)	3/4"	45	2069	117	4.8	9.5	152	198
CG-6111CW(3/4"x50)	3/4"	50	2069	127	4.8	9.5	152	203
CG-6111CW(3/4"x55)	3/4"	55	2069	137	4.8	9.5	152	209
CG-6111CW(3/4"x60)	3/4"	60	2069	147	4.8	9.5	203	214
CG-6111CW(3/4"x65)	3/4"	65	2069	157	4.8	9.5	203	220
CG-6111CW(3/4"x70)	3/4"	70	2069	167	4.8	9.5	203	225
CG-6111CW(1"x5)	1"	5	2669	44	4.8	9.5	102	157
CG-6111CW(1"x10)	1"	10	2669	54	4.8	9.5	102	163
CG-6111CW(1"x15)	1"	15	2669	64	4.8	9.5	102	168
CG-6111CW(1"x20)	1"	20	2669	74	4.8	9.5	102	174
CG-6111CW(1"x25)	1"	25	2669	84	4.8	9.5	102	179
CG-6111CW(1"x30)	1"	30	2669	94	4.8	9.5	102	185
CG-6111CW(1"x35)	1"	35	2669	104	4.8	9.5	102	190
CG-6111CW(1"x40)	1"	40	2669	114	4.8	9.5	152	196
CG-6111CW(1"x45)	1"	45	2669	124	4.8	9.5	152	201
CG-6111CW(1"x50)	1"	50	2669	134	4.8	9.5	152	207
CG-6111CW(1"x55)	1"	55	2669	144	4.8	9.5	152	212
CG-6111CW(1"x60)	1"	60	2669	154	4.8	9.5	203	218
CG-6111CW(1"x65)	1"	65	2669	164	4.8	9.5	203	223
CG-6111CW(1"x70)	1"	70	2669	174	4.8	9.5	203	229
CG-6111CW(1-1/2"x5)	1-1/2"	5	3870	59	6.4	9.5	102	169
CG-6111CW(1-1/2"x10)	1-1/2"	10	3870	69	6.4	9.5	102	174
CG-6111CW(1-1/2"x15)	1-1/2"	15	3870	79	6.4	9.5	102	180
CG-6111CW(1-1/2"x20)	1-1/2"	20	3870	89	6.4	9.5	102	185
CG-6111CW(1-1/2"x25)	1-1/2"	25	3870	99	6.4	9.5	102	191
CG-6111CW(1-1/2"x30)	1-1/2"	30	3870	109	6.4	9.5	102	196
CG-6111CW(1-1/2"x35)	1-1/2"	35	3870	119	6.4	9.5	102	202
CG-6111CW(1-1/2"x40)	1-1/2"	40	3870	129	6.4	9.5	152	207
CG-6111CW(1-1/2"x45)	1-1/2"	45	3870	139	6.4	9.5	152	213
CG-6111CW(1-1/2"x50)	1-1/2"	50	3870	149	6.4	9.5	152	218
CG-6111CW(1-1/2"x55)	1-1/2"	55	3870	159	6.4	9.5	152	224
CG-6111CW(1-1/2"x60)	1-1/2"	60	3870	169	6.4	9.5	203	229
CG-6111CW(1-1/2"x65)	1-1/2"	65	3870	179	6.4	9.5	203	235
CG-6111CW(1-1/2"x70)	1-1/2"	70	3870	189	6.4	9.5	203	240
CG-6111CW(2"x5)	2"	5	4471	71	6.4	9.5	102	175
CG-6111CW(2"x10)	2"	10	4471	81	6.4	9.5	102	181
CG-6111CW(2"x15)	2"	15	4471	91	6.4	9.5	102	186
CG-6111CW(2"x20)	2"	20	4471	101	6.4	9.5	102	192
CG-6111CW(2"x25)	2"	25	4471	111	6.4	9.5	102	197
CG-6111CW(2"x30)	2"	30	4471	121	6.4	9.5	102	203
CG-6111CW(2"x35)	2"	35	4471	131	6.4	9.5	102	208
CG-6111CW(2"x40)	2"	40	4471	141	6.4	9.5	152	214
CG-6111CW(2"x45)	2"	45	4471	151	6.4	9.5	152	219
CG-6111CW(2"x50)	2"	50	4471	161	6.4	9.5	152	225
CG-6111CW(2"x55)	2"	55	4471	171	6.4	9.5	152	230
CG-6111CW(2"x60)	2"	60	4471	181	6.4	9.5	203	236
CG-6111CW(2"x65)	2"	65	4471	191	6.4	9.5	203	241
CG-6111CW(2"x70)	2"	70	4471	201	6.4	9.5	203	247
CG-6111CW(2-1/2"x5)	2-1/2"	5	5472	84	6.4	12.7	102	182
CG-6111CW(2-1/2"x10)	2-1/2"	10	5472	94	6.4	12.7	102	188
CG-6111CW(2-1/2"x15)	2-1/2"	15	5472	104	6.4	12.7	102	193
CG-6111CW(2-1/2"x20)	2-1/2"	20	5472	114	6.4	12.7	102	199
CG-6111CW(2-1/2"x25)	2-1/2"	25	5472	124	6.4	12.7	102	204
CG-6111CW(2-1/2"x30)	2-1/2"	30	5472	134	6.4	12.7	102	210



Model & Size	Pipe size	Insulation Thk (mm)	Load (N)	Insul OD (mm)	Plate THK	Bolt Dia.	BOP	D
CG-6111CW(2-1/2"x35)	2-1/2"	35	5472	144	6.4	12.7	102	215
CG-6111CW(2-1/2"x40)	2-1/2"	40	5472	154	6.4	12.7	152	221
CG-6111CW(2-1/2"x45)	2-1/2"	45	5472	164	6.4	12.7	152	226
CG-6111CW(2-1/2"x50)	2-1/2"	50	5472	174	6.4	12.7	152	232
CG-6111CW(2-1/2"x55)	2-1/2"	55	5472	184	6.4	12.7	152	237
CG-6111CW(2-1/2"x60)	2-1/2"	60	5472	194	6.4	12.7	203	243
CG-6111CW(2-1/2"x65)	2-1/2"	65	5472	204	6.4	12.7	203	248
CG-6111CW(2-1/2"x70)	2-1/2"	70	5472	214	6.4	12.7	203	254
CG-6111CW(3"x5)	3"	5	6339	99	6.4	12.7	102	191
CG-6111CW(3"x10)	3"	10	6339	109	6.4	12.7	102	196
CG-6111CW(3"x15)	3"	15	6339	119	6.4	12.7	102	202
CG-6111CW(3"x20)	3"	20	6339	129	6.4	12.7	102	207
CG-6111CW(3"x25)	3"	25	6339	139	6.4	12.7	102	213
CG-6111CW(3"x30)	3"	30	6339	149	6.4	12.7	102	218
CG-6111CW(3"x35)	3"	35	6339	159	6.4	12.7	102	224
CG-6111CW(3"x40)	3"	40	6339	169	6.4	12.7	152	229
CG-6111CW(3"x45)	3"	45	6339	179	6.4	12.7	152	235
CG-6111CW(3"x50)	3"	50	6339	189	6.4	12.7	152	240
CG-6111CW(3"x55)	3"	55	6339	199	6.4	12.7	152	246
CG-6111CW(3"x60)	3"	60	6339	209	6.4	12.7	203	251
CG-6111CW(3"x65)	3"	65	6339	219	6.4	12.7	203	257
CG-6111CW(3"x70)	3"	70	6339	229	6.4	12.7	203	262
CG-6111CW(4"x5)	4"	5	10009	125	6.4	12.7	102	205
CG-6111CW(4"x10)	4"	10	10009	135	6.4	12.7	102	210
CG-6111CW(4"x15)	4"	15	10009	145	6.4	12.7	102	216
CG-6111CW(4"x20)	4"	20	10009	155	6.4	12.7	102	221
CG-6111CW(4"x30)	4"	30	10009	175	6.4	12.7	102	232
CG-6111CW(4"x40)	4"	40	10009	195	6.4	12.7	102	243
CG-6111CW(4"x50)	4"	50	10009	215	6.4	12.7	102	254
CG-6111CW(4"x60)	4"	60	10009	235	6.4	12.7	152	265
CG-6111CW(4"x70)	4"	70	10009	255	6.4	12.7	152	276
CG-6111CW(4"x80)	4"	80	10009	275	6.4	12.7	152	287
CG-6111CW(4"x90)	4"	90	10009	295	6.4	12.7	152	298
CG-6111CW(4"x100)	4"	100	10009	315	6.4	12.7	203	309
CG-6111CW(5"x5)	5"	5	12544	152	9.5	12.7	102	226
CG-6111CW(5"x10)	5"	10	12544	162	9.5	12.7	102	232
CG-6111CW(5"x15)	5"	15	12544	172	9.5	12.7	102	237
CG-6111CW(5"x20)	5"	20	12544	182	9.5	12.7	102	243
CG-6111CW(5"x30)	5"	30	12544	202	9.5	12.7	102	254
CG-6111CW(5"x40)	5"	40	12544	222	9.5	12.7	102	265
CG-6111CW(5"x50)	5"	50	12544	242	9.5	12.7	102	276
CG-6111CW(5"x60)	5"	60	12544	262	9.5	12.7	152	287
CG-6111CW(5"x70)	5"	70	12544	282	9.5	12.7	152	298
CG-6111CW(5"x80)	5"	80	12544	302	9.5	12.7	152	309
CG-6111CW(5"x90)	5"	90	12544	322	9.5	12.7	152	320
CG-6111CW(5"x100)	5"	100	12544	342	9.5	12.7	203	331
CG-6111CW(6"x5)	6"	5	15213	179	9.5	12.7	102	241
CG-6111CW(6"x10)	6"	10	15213	189	9.5	12.7	102	246
CG-6111CW(6"x15)	6"	15	15213	199	9.5	12.7	102	252
CG-6111CW(6"x20)	6"	20	15213	209	9.5	12.7	102	257
CG-6111CW(6"x30)	6"	30	15213	229	9.5	12.7	102	268
CG-6111CW(6"x40)	6"	40	15213	249	9.5	12.7	102	279
CG-6111CW(6"x50)	6"	50	15213	269	9.5	12.7	102	290
CG-6111CW(6"x60)	6"	60	15213	289	9.5	12.7	152	301



Model & Size	Pipe size	Insulation Thk (mm)	Load (N)	Insul OD (mm)	Plate THK	Bolt Dia.	BOP	D
CG-6111CW(6"x70)	6"	70	15213	309	9.5	12.7	152	312
CG-6111CW(6"x80)	6"	80	15213	329	9.5	12.7	152	323
CG-6111CW(6"x90)	6"	90	15213	349	9.5	12.7	152	334
CG-6111CW(6"x100)	6"	100	15213	369	9.5	12.7	203	345
CG-6111CW(8"x5)	8"	5	20017	230	9.5	12.7	102	320
CG-6111CW(8"x10)	8"	10	20017	240	9.5	12.7	102	325
CG-6111CW(8"x15)	8"	15	20017	250	9.5	12.7	102	331
CG-6111CW(8"x20)	8"	20	20017	260	9.5	12.7	102	336
CG-6111CW(8"x30)	8"	30	20017	280	9.5	12.7	102	347
CG-6111CW(8"x40)	8"	40	20017	300	9.5	12.7	102	358
CG-6111CW(8"x50)	8"	50	20017	320	9.5	12.7	152	369
CG-6111CW(8"x60)	8"	60	20017	340	9.5	12.7	152	380
CG-6111CW(8"x70)	8"	70	20017	360	9.5	12.7	152	391
CG-6111CW(8"x80)	8"	80	20017	380	9.5	12.7	152	402
CG-6111CW(8"x90)	8"	90	20017	400	9.5	12.7	152	413
CG-6111CW(8"x100)	8"	100	20017	420	9.5	12.7	203	424
CG-6111CW(10"x5)	10"	5	24021	284	9.5	12.7	102	349
CG-6111CW(10"x10)	10"	10	24021	294	9.5	12.7	102	355
CG-6111CW(10"x15)	10"	15	24021	304	9.5	12.7	102	360
CG-6111CW(10"x20)	10"	20	24021	314	9.5	12.7	102	366
CG-6111CW(10"x30)	10"	30	24021	334	9.5	12.7	102	377
CG-6111CW(10"x40)	10"	40	24021	354	9.5	12.7	102	388
CG-6111CW(10"x50)	10"	50	24021	374	9.5	12.7	152	399
CG-6111CW(10"x60)	10"	60	24021	394	9.5	12.7	152	410
CG-6111CW(10"x70)	10"	70	24021	414	9.5	12.7	152	421
CG-6111CW(10"x80)	10"	80	24021	434	9.5	12.7	152	432
CG-6111CW(10"x90)	10"	90	24021	454	9.5	12.7	152	443
CG-6111CW(10"x100)	10"	100	24021	474	9.5	12.7	203	454
CG-6111CW(12"x5)	12"	5	26023	334	9.5	15.9	102	377
CG-6111CW(12"x10)	12"	10	26023	344	9.5	15.9	102	383
CG-6111CW(12"x15)	12"	15	26023	354	9.5	15.9	102	388
CG-6111CW(12"x20)	12"	20	26023	364	9.5	15.9	102	394
CG-6111CW(12"x30)	12"	30	26023	384	9.5	15.9	102	405
CG-6111CW(12"x40)	12"	40	26023	404	9.5	15.9	102	416
CG-6111CW(12"x50)	12"	50	26023	424	9.5	15.9	152	427
CG-6111CW(12"x60)	12"	60	26023	444	9.5	15.9	152	438
CG-6111CW(12"x70)	12"	70	26023	464	9.5	15.9	152	449
CG-6111CW(12"x80)	12"	80	26023	484	9.5	15.9	152	460
CG-6111CW(12"x90)	12"	90	26023	504	9.5	15.9	152	471
CG-6111CW(12"x100)	12"	100	26023	524	9.5	15.9	203	482
CG-6111CW(14"x5)	14"	5	30026	366	9.5	15.9	102	395
CG-6111CW(14"x10)	14"	10	30026	376	9.5	15.9	102	400
CG-6111CW(14"x15)	14"	15	30026	386	9.5	15.9	102	406
CG-6111CW(14"x20)	14"	20	30026	396	9.5	15.9	102	411
CG-6111CW(14"x30)	14"	30	30026	416	9.5	15.9	102	422
CG-6111CW(14"x40)	14"	40	30026	436	9.5	15.9	102	433
CG-6111CW(14"x50)	14"	50	30026	456	9.5	15.9	152	444
CG-6111CW(14"x60)	14"	60	30026	476	9.5	15.9	152	455
CG-6111CW(14"x70)	14"	70	30026	496	9.5	15.9	152	466
CG-6111CW(14"x80)	14"	80	30026	516	9.5	15.9	152	477
CG-6111CW(14"x90)	14"	90	30026	536	9.5	15.9	152	488
CG-6111CW(14"x100)	14"	100	30026	556	9.5	15.9	203	499
CG-6111CW(16"x5)	16"	5	34697	417	9.5	15.9	102	423
CG-6111CW(16"x10)	16"	10	34697	427	9.5	15.9	102	428





Model & Size	Pipe size	Insulation Thk (mm)	Load (N)	Insul OD (mm)	Plate THK	Bolt Dia.	BOP	D
CG-6111CW(16"x15)	16"	15	34697	437	9.5	15.9	102	434
CG-6111CW(16"x20)	16"	20	34697	447	9.5	15.9	102	439
CG-6111CW(16"x30)	16"	30	34697	467	9.5	15.9	102	450
CG-6111CW(16"x40)	16"	40	34697	487	9.5	15.9	152	461
CG-6111CW(16"x50)	16"	50	34697	507	9.5	15.9	152	472
CG-6111CW(16"x60)	16"	60	34697	527	9.5	15.9	152	483
CG-6111CW(16"x70)	16"	70	34697	547	9.5	15.9	152	494
CG-6111CW(16"x80)	16"	80	34697	567	9.5	15.9	203	505
CG-6111CW(16"x90)	16"	90	34697	587	9.5	15.9	203	516
CG-6111CW(16"x100)	16"	100	34697	607	9.5	15.9	203	527
CG-6111CW(18"x5)	18"	5	38033	468	9.5	15.9	102	451
CG-6111CW(18"x10)	18"	10	38033	478	9.5	15.9	102	456
CG-6111CW(18"x15)	18"	15	38033	488	9.5	15.9	102	462
CG-6111CW(18"x20)	18"	20	38033	498	9.5	15.9	102	467
CG-6111CW(18"x30)	18"	30	38033	518	9.5	15.9	102	478
CG-6111CW(18"x40)	18"	40	38033	538	9.5	15.9	152	489
CG-6111CW(18"x50)	18"	50	38033	558	9.5	15.9	152	500
CG-6111CW(18"x60)	18"	60	38033	578	9.5	15.9	152	511
CG-6111CW(18"x70)	18"	70	38033	598	9.5	15.9	152	522
CG-6111CW(18"x80)	18"	80	38033	618	9.5	15.9	203	533
CG-6111CW(18"x90)	18"	90	38033	638	9.5	15.9	203	544
CG-6111CW(18"x100)	18"	100	38033	658	9.5	15.9	203	555
CG-6111CW(20"x5)	20"	5	40702	518	9.5	15.9	102	479
CG-6111CW(20"x10)	20"	10	40702	528	9.5	15.9	102	484
CG-6111CW(20"x15)	20"	15	40702	538	9.5	15.9	102	490
CG-6111CW(20"x20)	20"	20	40702	548	9.5	15.9	102	495
CG-6111CW(20"x30)	20"	30	40702	568	9.5	15.9	102	506
CG-6111CW(20"x40)	20"	40	40702	588	9.5	15.9	152	517
CG-6111CW(20"x50)	20"	50	40702	608	9.5	15.9	152	528
CG-6111CW(20"x60)	20"	60	40702	628	9.5	15.9	152	539
CG-6111CW(20"x70)	20"	70	40702	648	9.5	15.9	152	550
CG-6111CW(20"x80)	20"	80	40702	668	9.5	15.9	203	561
CG-6111CW(20"x90)	20"	90	40702	688	9.5	15.9	203	572
CG-6111CW(20"x100)	20"	100	40702	708	9.5	15.9	203	583
CG-6111CW(24"x5)	24"	5	42703	620	9.5	19.1	102	585
CG-6111CW(24"x10)	24"	10	42703	630	9.5	19.1	102	591
CG-6111CW(24"x15)	24"	15	42703	640	9.5	19.1	102	596
CG-6111CW(24"x20)	24"	20	42703	650	9.5	19.1	102	602
CG-6111CW(24"x30)	24"	30	42703	670	9.5	19.1	102	613
CG-6111CW(24"x40)	24"	40	42703	690	9.5	19.1	152	624
CG-6111CW(24"x50)	24"	50	42703	710	9.5	19.1	152	635
CG-6111CW(24"x60)	24"	60	42703	730	9.5	19.1	152	646
CG-6111CW(24"x70)	24"	70	42703	750	9.5	19.1	152	657
CG-6111CW(24"x80)	24"	80	42703	770	9.5	19.1	203	668
CG-6111CW(24"x90)	24"	90	42703	790	9.5	19.1	203	679
CG-6111CW(24"x100)	24"	100	42703	810	9.5	19.1	203	690
CG-6111CW(30"x5)	30"	5	56048	772	12.7	19.1	102	675
CG-6111CW(30"x10)	30"	10	56048	782	12.7	19.1	102	681
CG-6111CW(30"x15)	30"	15	56048	792	12.7	19.1	102	686
CG-6111CW(30"x20)	30"	20	56048	802	12.7	19.1	102	692
CG-6111CW(30"x30)	30"	30	56048	822	12.7	19.1	152	703
CG-6111CW(30"x40)	30"	40	56048	842	12.7	19.1	152	714
CG-6111CW(30"x50)	30"	50	56048	862	12.7	19.1	152	725
CG-6111CW(30"x60)	30"	60	56048	882	12.7	19.1	152	736

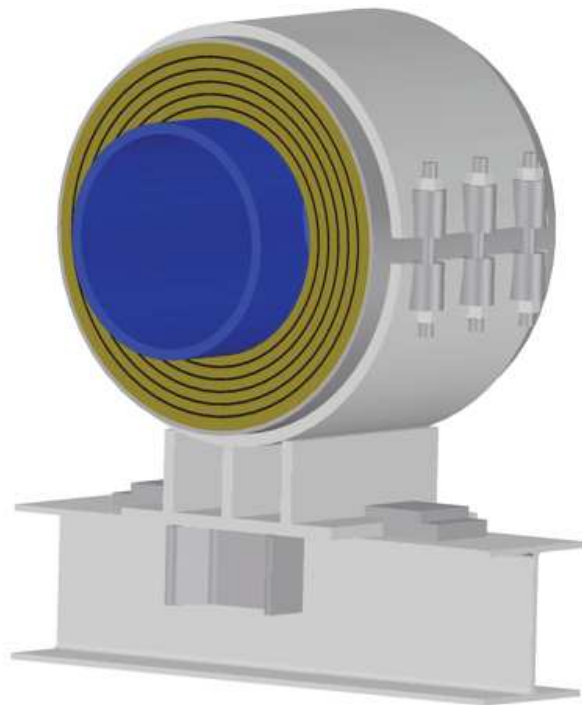


Model & Size	Pipe size	Insulation Thk (mm)	Load (N)	Insul OD (mm)	Plate THK	Bolt Dia.	BOP	D
CG-6111CW(30"x70)	30"	70	56048	902	12.7	19.1	152	747
CG-6111CW(30"x80)	30"	80	56048	922	12.7	19.1	203	758
CG-6111CW(30"x90)	30"	90	56048	942	12.7	19.1	203	769
CG-6111CW(30"x100)	30"	100	56048	962	12.7	19.1	203	780
CG-6111CW(36"x5)	36"	5	65389	925	12.7	19.1	102	759
CG-6111CW(36"x10)	36"	10	65389	935	12.7	19.1	102	765
CG-6111CW(36"x15)	36"	15	65389	945	12.7	19.1	102	770
CG-6111CW(36"x20)	36"	20	65389	955	12.7	19.1	102	776
CG-6111CW(36"x30)	36"	30	65389	975	12.7	19.1	152	787
CG-6111CW(36"x40)	36"	40	65389	995	12.7	19.1	152	798
CG-6111CW(36"x50)	36"	50	65389	1015	12.7	19.1	152	809
CG-6111CW(36"x60)	36"	60	65389	1035	12.7	19.1	152	820
CG-6111CW(36"x70)	36"	70	65389	1055	12.7	19.1	152	831
CG-6111CW(36"x80)	36"	80	65389	1075	12.7	19.1	203	842
CG-6111CW(36"x90)	36"	90	65389	1095	12.7	19.1	203	853
CG-6111CW(36"x100)	36"	100	65389	1115	12.7	19.1	203	864
CG-6111CW(42"x5)	42"	5	74063	1077	12.7	19.1	102	843
CG-6111CW(42"x10)	42"	10	74063	1087	12.7	19.1	102	849
CG-6111CW(42"x15)	42"	15	74063	1097	12.7	19.1	102	854
CG-6111CW(42"x20)	42"	20	74063	1107	12.7	19.1	102	860
CG-6111CW(42"x30)	42"	30	74063	1127	12.7	19.1	152	871
CG-6111CW(42"x40)	42"	40	74063	1147	12.7	19.1	152	882
CG-6111CW(42"x50)	42"	50	74063	1167	12.7	19.1	152	893
CG-6111CW(42"x60)	42"	60	74063	1187	12.7	19.1	152	904
CG-6111CW(42"x70)	42"	70	74063	1207	12.7	19.1	152	915
CG-6111CW(42"x80)	42"	80	74063	1227	12.7	19.1	203	926
CG-6111CW(42"x90)	42"	90	74063	1247	12.7	19.1	203	937
CG-6111CW(42"x100)	42"	100	74063	1267	12.7	19.1	203	948

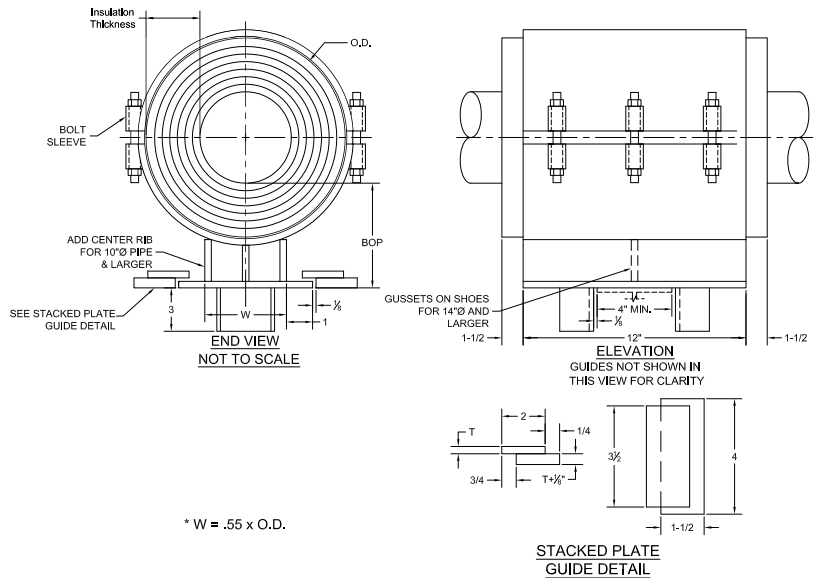
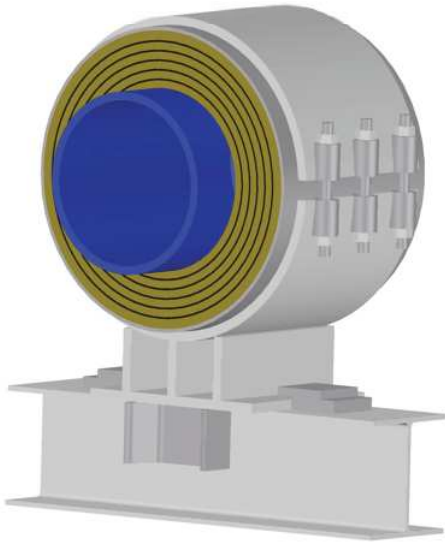


# CryoWrap<sup>TM</sup>

## Cold Anchor Engineering Data



CryoWrap<sup>TM</sup> Anchors  
(Metric)



Model & Size	Pipe size	Insulation Thk (mm)	Vertical Load (N)	Axial Load (N)	Insul OD (mm)	Plate THK (T)	Bolt Dia.	BOP
CA-6111CW(1/2"x5)	1/2"	5	1780	2669	32	4.8	9.5	102
CA-6111CW(1/2"x10)	1/2"	10	1780	2669	42	4.8	9.5	102
CA-6111CW(1/2"x15)	1/2"	15	1780	2669	52	4.8	9.5	102
CA-6111CW(1/2"x20)	1/2"	20	1780	2669	62	4.8	9.5	102
CA-6111CW(1/2"x25)	1/2"	25	1780	2669	72	4.8	9.5	102
CA-6111CW(1/2"x30)	1/2"	30	1780	2669	82	4.8	9.5	102
CA-6111CW(1/2"x35)	1/2"	35	1780	2669	92	4.8	9.5	102
CA-6111CW(1/2"x40)	1/2"	40	1780	2669	102	4.8	9.5	152
CA-6111CW(1/2"x45)	1/2"	45	1780	2669	112	4.8	9.5	152
CA-6111CW(1/2"x50)	1/2"	50	1780	2669	122	4.8	9.5	152
CA-6111CW(1/2"x55)	1/2"	55	1780	2669	132	4.8	9.5	152
CA-6111CW(1/2"x60)	1/2"	60	1780	2669	142	4.8	9.5	203
CA-6111CW(1/2"x65)	1/2"	65	1780	2669	152	4.8	9.5	203
CA-6111CW(1/2"x70)	1/2"	70	1780	2669	162	4.8	9.5	203
CA-6111CW(3/4"x5)	3/4"	5	2225	3337	37	4.8	9.5	102
CA-6111CW(3/4"x10)	3/4"	10	2225	3337	47	4.8	9.5	102
CA-6111CW(3/4"x15)	3/4"	15	2225	3337	57	4.8	9.5	102
CA-6111CW(3/4"x20)	3/4"	20	2225	3337	67	4.8	9.5	102
CA-6111CW(3/4"x25)	3/4"	25	2225	3337	77	4.8	9.5	102
CA-6111CW(3/4"x30)	3/4"	30	2225	3337	87	4.8	9.5	102
CA-6111CW(3/4"x35)	3/4"	35	2225	3337	97	4.8	9.5	102
CA-6111CW(3/4"x40)	3/4"	40	2225	3337	107	4.8	9.5	152

(Continued on following pages)

**Applications and Features**

- Resist axial, vertical and/or lateral pipe loads.
- Support supplied with guide angles and axial stops.
- Accommodates lateral loads up to 20% of actual vertical load.
- Temperature Range -460° F to 195° F.
- Higher Temperature Applications Available.

- A-36 steel construction.
- See technical Specification RHS-850
- Test results available upon request.
- Steel finish available in Galvanized or painted finishes.
- Support constructed in accordance with ASME B31.1, B31.3 and MSS-SP58.
- A307 or B7 plated bolts/studs.
- For special applications, or for information on other Insulation and Pipe sizes, contact Factory
- Utilizes RILCO proprietary low profile ears.





Model & Size	Pipe size	Insulation Thk (mm)	Vertical Load (N)	Axial Load (N)	Insul OD (mm)	Plate THK (T)	Bolt Dia.	BOP
CA-6111CW(3/4"x45)	3/4"	45	2225	3337	117	4.8	9.5	152
CA-6111CW(3/4"x50)	3/4"	50	2225	3337	127	4.8	9.5	152
CA-6111CW(3/4"x55)	3/4"	55	2225	3337	137	4.8	9.5	152
CA-6111CW(3/4"x60)	3/4"	60	2225	3337	147	4.8	9.5	203
CA-6111CW(3/4"x65)	3/4"	65	2225	3337	157	4.8	9.5	203
CA-6111CW(3/4"x70)	3/4"	70	2225	3337	167	4.8	9.5	203
CA-6111CW(1"x5)	1"	5	2892	4004	44	6.4	9.5	102
CA-6111CW(1"x10)	1"	10	2892	4004	54	6.4	9.5	102
CA-6111CW(1"x15)	1"	15	2892	4004	64	6.4	9.5	102
CA-6111CW(1"x20)	1"	20	2892	4004	74	6.4	9.5	102
CA-6111CW(1"x25)	1"	25	2892	4004	84	6.4	9.5	102
CA-6111CW(1"x30)	1"	30	2892	4004	94	6.4	9.5	102
CA-6111CW(1"x35)	1"	35	2892	4004	104	6.4	9.5	102
CA-6111CW(1"x40)	1"	40	2892	4004	114	6.4	9.5	152
CA-6111CW(1"x45)	1"	45	2892	4004	124	6.4	9.5	152
CA-6111CW(1"x50)	1"	50	2892	4004	134	6.4	9.5	152
CA-6111CW(1"x55)	1"	55	2892	4004	144	6.4	9.5	152
CA-6111CW(1"x60)	1"	60	2892	4004	154	6.4	9.5	203
CA-6111CW(1"x65)	1"	65	2892	4004	164	6.4	9.5	203
CA-6111CW(1"x70)	1"	70	2892	4004	174	6.4	9.5	203
CA-6111CW(1-1/2"x5)	1-1/2"	5	4226	5739	59	6.4	9.5	102
CA-6111CW(1-1/2"x10)	1-1/2"	10	4226	5739	69	6.4	9.5	102
CA-6111CW(1-1/2"x15)	1-1/2"	15	4226	5739	79	6.4	9.5	102
CA-6111CW(1-1/2"x20)	1-1/2"	20	4226	5739	89	6.4	9.5	102
CA-6111CW(1-1/2"x25)	1-1/2"	25	4226	5739	99	6.4	9.5	102
CA-6111CW(1-1/2"x30)	1-1/2"	30	4226	5739	109	6.4	9.5	102
CA-6111CW(1-1/2"x35)	1-1/2"	35	4226	5739	119	6.4	9.5	102
CA-6111CW(1-1/2"x40)	1-1/2"	40	4226	5739	129	6.4	9.5	152
CA-6111CW(1-1/2"x45)	1-1/2"	45	4226	5739	139	6.4	9.5	152
CA-6111CW(1-1/2"x50)	1-1/2"	50	4226	5739	149	6.4	9.5	152
CA-6111CW(1-1/2"x55)	1-1/2"	55	4226	5739	159	6.4	9.5	152
CA-6111CW(1-1/2"x60)	1-1/2"	60	4226	5739	169	6.4	9.5	203
CA-6111CW(1-1/2"x65)	1-1/2"	65	4226	5739	179	6.4	9.5	203
CA-6111CW(1-1/2"x70)	1-1/2"	70	4226	5739	189	6.4	9.5	203
CA-6111CW(2"x5)	2"	5	4894	7207	71	6.4	9.5	102
CA-6111CW(2"x10)	2"	10	4894	7207	81	6.4	9.5	102
CA-6111CW(2"x15)	2"	15	4894	7207	91	6.4	9.5	102
CA-6111CW(2"x20)	2"	20	4894	7207	101	6.4	9.5	102
CA-6111CW(2"x25)	2"	25	4894	7207	111	6.4	9.5	102
CA-6111CW(2"x30)	2"	30	4894	7207	121	6.4	9.5	102
CA-6111CW(2"x35)	2"	35	4894	7207	131	6.4	9.5	102
CA-6111CW(2"x40)	2"	40	4894	7207	141	6.4	9.5	152
CA-6111CW(2"x45)	2"	45	4894	7207	151	6.4	9.5	152
CA-6111CW(2"x50)	2"	50	4894	7207	161	6.4	9.5	152
CA-6111CW(2"x55)	2"	55	4894	7207	171	6.4	9.5	152
CA-6111CW(2"x60)	2"	60	4894	7207	181	6.4	9.5	203
CA-6111CW(2"x65)	2"	65	4894	7207	191	6.4	9.5	203
CA-6111CW(2"x70)	2"	70	4894	7207	201	6.4	9.5	203
CA-6111CW(2-1/2"x5)	2-1/2"	5	6006	8719	84	6.4	12.7	102
CA-6111CW(2-1/2"x10)	2-1/2"	10	6006	8719	94	6.4	12.7	102
CA-6111CW(2-1/2"x15)	2-1/2"	15	6006	8719	104	6.4	12.7	102
CA-6111CW(2-1/2"x20)	2-1/2"	20	6006	8719	114	6.4	12.7	102
CA-6111CW(2-1/2"x25)	2-1/2"	25	6006	8719	124	6.4	12.7	102
CA-6111CW(2-1/2"x30)	2-1/2"	30	6006	8719	134	6.4	12.7	102



Model & Size	Pipe size	Insulation Thk (mm)	Vertical Load (N)	Axial Load (N)	Insul OD (mm)	Plate THK (T)	Bolt Dia.	BOP
CA-6111CW(2-1/2"x35)	2-1/2"	35	6006	8719	144	6.4	12.7	102
CA-6111CW(2-1/2"x40)	2-1/2"	40	6006	8719	154	6.4	12.7	152
CA-6111CW(2-1/2"x45)	2-1/2"	45	6006	8719	164	6.4	12.7	152
CA-6111CW(2-1/2"x50)	2-1/2"	50	6006	8719	174	6.4	12.7	152
CA-6111CW(2-1/2"x55)	2-1/2"	55	6006	8719	184	6.4	12.7	152
CA-6111CW(2-1/2"x60)	2-1/2"	60	6006	8719	194	6.4	12.7	203
CA-6111CW(2-1/2"x65)	2-1/2"	65	6006	8719	204	6.4	12.7	203
CA-6111CW(2-1/2"x70)	2-1/2"	70	6006	8719	214	6.4	12.7	203
CA-6111CW(3"x5)	3"	5	7118	15347	99	9.5	12.7	102
CA-6111CW(3"x10)	3"	10	7118	15347	109	9.5	12.7	102
CA-6111CW(3"x15)	3"	15	7118	15347	119	9.5	12.7	102
CA-6111CW(3"x20)	3"	20	7118	15347	129	9.5	12.7	102
CA-6111CW(3"x25)	3"	25	7118	15347	139	9.5	12.7	102
CA-6111CW(3"x30)	3"	30	7118	15347	149	9.5	12.7	102
CA-6111CW(3"x35)	3"	35	7118	15347	159	9.5	12.7	102
CA-6111CW(3"x40)	3"	40	7118	15347	169	9.5	12.7	152
CA-6111CW(3"x45)	3"	45	7118	15347	179	9.5	12.7	152
CA-6111CW(3"x50)	3"	50	7118	15347	189	9.5	12.7	152
CA-6111CW(3"x55)	3"	55	7118	15347	199	9.5	12.7	152
CA-6111CW(3"x60)	3"	60	7118	15347	209	9.5	12.7	203
CA-6111CW(3"x65)	3"	65	7118	15347	219	9.5	12.7	203
CA-6111CW(3"x70)	3"	70	7118	15347	229	9.5	12.7	203
CA-6111CW(4"x5)	4"	5	11121	18238	125	9.5	12.7	102
CA-6111CW(4"x10)	4"	10	11121	18238	135	9.5	12.7	102
CA-6111CW(4"x15)	4"	15	11121	18238	145	9.5	12.7	102
CA-6111CW(4"x20)	4"	20	11121	18238	155	9.5	12.7	102
CA-6111CW(4"x30)	4"	30	11121	18238	175	9.5	12.7	102
CA-6111CW(4"x40)	4"	40	11121	18238	195	9.5	12.7	102
CA-6111CW(4"x50)	4"	50	11121	18238	215	9.5	12.7	102
CA-6111CW(4"x60)	4"	60	11121	18238	235	9.5	12.7	152
CA-6111CW(4"x70)	4"	70	11121	18238	255	9.5	12.7	152
CA-6111CW(4"x80)	4"	80	11121	18238	275	9.5	12.7	152
CA-6111CW(4"x90)	4"	90	11121	18238	295	9.5	12.7	152
CA-6111CW(4"x100)	4"	100	11121	18238	315	9.5	12.7	152
CA-6111CW(5"x5)	5"	5	13790	21130	152	9.5	12.7	102
CA-6111CW(5"x10)	5"	10	13790	21130	162	9.5	12.7	102
CA-6111CW(5"x15)	5"	15	13790	21130	172	9.5	12.7	102
CA-6111CW(5"x20)	5"	20	13790	21130	182	9.5	12.7	102
CA-6111CW(5"x30)	5"	30	13790	21130	202	9.5	12.7	102
CA-6111CW(5"x40)	5"	40	13790	21130	222	9.5	12.7	102
CA-6111CW(5"x50)	5"	50	13790	21130	242	9.5	12.7	102
CA-6111CW(5"x60)	5"	60	13790	21130	262	9.5	12.7	152
CA-6111CW(5"x70)	5"	70	13790	21130	282	9.5	12.7	152
CA-6111CW(5"x80)	5"	80	13790	21130	302	9.5	12.7	152
CA-6111CW(5"x90)	5"	90	13790	21130	322	9.5	12.7	152
CA-6111CW(5"x100)	5"	100	13790	21130	342	9.5	12.7	152
CA-6111CW(6"x5)	6"	5	16904	24021	179	9.5	12.7	102
CA-6111CW(6"x10)	6"	10	16904	24021	189	9.5	12.7	102
CA-6111CW(6"x15)	6"	15	16904	24021	199	9.5	12.7	102
CA-6111CW(6"x20)	6"	20	16904	24021	209	9.5	12.7	102
CA-6111CW(6"x30)	6"	30	16904	24021	229	9.5	12.7	102
CA-6111CW(6"x40)	6"	40	16904	24021	249	9.5	12.7	102
CA-6111CW(6"x50)	6"	50	16904	24021	269	9.5	12.7	102
CA-6111CW(6"x60)	6"	60	16904	24021	289	9.5	12.7	152



Model & Size	Pipe size	Insulation Thk (mm)	Vertical Load (N)	Axial Load (N)	Insul OD (mm)	Plate THK (T)	Bolt Dia.	BOP
CA-6111CW(6"x70)	6"	70	16904	24021	309	9.5	12.7	152
CA-6111CW(6"x80)	6"	80	16904	24021	329	9.5	12.7	152
CA-6111CW(6"x90)	6"	90	16904	24021	349	9.5	12.7	152
CA-6111CW(6"x100)	6"	100	16904	24021	369	9.5	12.7	152
CA-6111CW(8"x5)	8"	5	22686	29692	230	9.5	12.7	102
CA-6111CW(8"x10)	8"	10	22686	29692	240	9.5	12.7	102
CA-6111CW(8"x15)	8"	15	22686	29692	250	9.5	12.7	102
CA-6111CW(8"x20)	8"	20	22686	29692	260	9.5	12.7	102
CA-6111CW(8"x30)	8"	30	22686	29692	280	9.5	12.7	102
CA-6111CW(8"x40)	8"	40	22686	29692	300	9.5	12.7	102
CA-6111CW(8"x50)	8"	50	22686	29692	320	9.5	12.7	152
CA-6111CW(8"x60)	8"	60	22686	29692	340	9.5	12.7	152
CA-6111CW(8"x70)	8"	70	22686	29692	360	9.5	12.7	152
CA-6111CW(8"x80)	8"	80	22686	29692	380	9.5	12.7	152
CA-6111CW(8"x90)	8"	90	22686	29692	400	9.5	12.7	152
CA-6111CW(8"x100)	8"	100	22686	29692	420	9.5	12.7	152
CA-6111CW(10"x5)	10"	5	26690	35586	284	9.5	12.7	102
CA-6111CW(10"x10)	10"	10	26690	35586	294	9.5	12.7	102
CA-6111CW(10"x15)	10"	15	26690	35586	304	9.5	12.7	102
CA-6111CW(10"x20)	10"	20	26690	35586	314	9.5	12.7	102
CA-6111CW(10"x30)	10"	30	26690	35586	334	9.5	12.7	102
CA-6111CW(10"x40)	10"	40	26690	35586	354	9.5	12.7	102
CA-6111CW(10"x50)	10"	50	26690	35586	374	9.5	12.7	152
CA-6111CW(10"x60)	10"	60	26690	35586	394	9.5	12.7	152
CA-6111CW(10"x70)	10"	70	26690	35586	414	9.5	12.7	152
CA-6111CW(10"x80)	10"	80	26690	35586	434	9.5	12.7	152
CA-6111CW(10"x90)	10"	90	26690	35586	454	9.5	12.7	152
CA-6111CW(10"x100)	10"	100	26690	35586	474	9.5	12.7	152
CA-6111CW(12"x5)	12"	5	29359	41369	334	9.5	15.9	102
CA-6111CW(12"x10)	12"	10	29359	41369	344	9.5	15.9	102
CA-6111CW(12"x15)	12"	15	29359	41369	354	9.5	15.9	102
CA-6111CW(12"x20)	12"	20	29359	41369	364	9.5	15.9	102
CA-6111CW(12"x30)	12"	30	29359	41369	384	9.5	15.9	102
CA-6111CW(12"x40)	12"	40	29359	41369	404	9.5	15.9	102
CA-6111CW(12"x50)	12"	50	29359	41369	424	9.5	15.9	152
CA-6111CW(12"x60)	12"	60	29359	41369	444	9.5	15.9	152
CA-6111CW(12"x70)	12"	70	29359	41369	464	9.5	15.9	152
CA-6111CW(12"x80)	12"	80	29359	41369	484	9.5	15.9	152
CA-6111CW(12"x90)	12"	90	29359	41369	504	9.5	15.9	152
CA-6111CW(12"x100)	12"	100	29359	41369	524	9.5	15.9	152
CA-6111CW(14"x5)	14"	5	33362	44483	366	9.5	15.9	102
CA-6111CW(14"x10)	14"	10	33362	44483	376	9.5	15.9	102
CA-6111CW(14"x15)	14"	15	33362	44483	386	9.5	15.9	102
CA-6111CW(14"x20)	14"	20	33362	44483	396	9.5	15.9	102
CA-6111CW(14"x30)	14"	30	33362	44483	416	9.5	15.9	102
CA-6111CW(14"x40)	14"	40	33362	44483	436	9.5	15.9	102
CA-6111CW(14"x50)	14"	50	33362	44483	456	9.5	15.9	152
CA-6111CW(14"x60)	14"	60	33362	44483	476	9.5	15.9	152
CA-6111CW(14"x70)	14"	70	33362	44483	496	9.5	15.9	152
CA-6111CW(14"x80)	14"	80	33362	44483	516	9.5	15.9	152
CA-6111CW(14"x90)	14"	90	33362	44483	536	9.5	15.9	152
CA-6111CW(14"x100)	14"	100	33362	44483	556	9.5	15.9	152
CA-6111CW(16"x5)	16"	5	38700	50265	417	12.7	15.9	102
CA-6111CW(16"x10)	16"	10	38700	50265	427	12.7	15.9	102



Model & Size	Pipe size	Insulation Thk (mm)	Vertical Load (N)	Axial Load (N)	Insul OD (mm)	Plate THK (T)	Bolt Dia.	BOP
CA-6111CW(16"x15)	16"	15	38700	50265	437	12.7	15.9	102
CA-6111CW(16"x20)	16"	20	38700	50265	447	12.7	15.9	102
CA-6111CW(16"x30)	16"	30	38700	50265	467	12.7	15.9	102
CA-6111CW(16"x40)	16"	40	38700	50265	487	12.7	15.9	152
CA-6111CW(16"x50)	16"	50	38700	50265	507	12.7	15.9	152
CA-6111CW(16"x60)	16"	60	38700	50265	527	12.7	15.9	152
CA-6111CW(16"x70)	16"	70	38700	50265	547	12.7	15.9	152
CA-6111CW(16"x80)	16"	80	38700	50265	567	12.7	15.9	203
CA-6111CW(16"x90)	16"	90	38700	50265	587	12.7	15.9	203
CA-6111CW(16"x100)	16"	100	38700	50265	607	12.7	15.9	203
CA-6111CW(18"x5)	18"	5	42703	55603	468	12.7	15.9	102
CA-6111CW(18"x10)	18"	10	42703	55603	478	12.7	15.9	102
CA-6111CW(18"x15)	18"	15	42703	55603	488	12.7	15.9	102
CA-6111CW(18"x20)	18"	20	42703	55603	498	12.7	15.9	102
CA-6111CW(18"x30)	18"	30	42703	55603	518	12.7	15.9	102
CA-6111CW(18"x40)	18"	40	42703	55603	538	12.7	15.9	152
CA-6111CW(18"x50)	18"	50	42703	55603	558	12.7	15.9	152
CA-6111CW(18"x60)	18"	60	42703	55603	578	12.7	15.9	152
CA-6111CW(18"x70)	18"	70	42703	55603	598	12.7	15.9	152
CA-6111CW(18"x80)	18"	80	42703	55603	618	12.7	15.9	203
CA-6111CW(18"x90)	18"	90	42703	55603	638	12.7	15.9	203
CA-6111CW(18"x100)	18"	100	42703	55603	658	12.7	15.9	203
CA-6111CW(20"x5)	20"	5	45372	61386	518	12.7	15.9	102
CA-6111CW(20"x10)	20"	10	45372	61386	528	12.7	15.9	102
CA-6111CW(20"x15)	20"	15	45372	61386	538	12.7	15.9	102
CA-6111CW(20"x20)	20"	20	45372	61386	548	12.7	15.9	102
CA-6111CW(20"x30)	20"	30	45372	61386	568	12.7	15.9	102
CA-6111CW(20"x40)	20"	40	45372	61386	588	12.7	15.9	152
CA-6111CW(20"x50)	20"	50	45372	61386	608	12.7	15.9	152
CA-6111CW(20"x60)	20"	60	45372	61386	628	12.7	15.9	152
CA-6111CW(20"x70)	20"	70	45372	61386	648	12.7	15.9	152
CA-6111CW(20"x80)	20"	80	45372	61386	668	12.7	15.9	203
CA-6111CW(20"x90)	20"	90	45372	61386	688	12.7	15.9	203
CA-6111CW(20"x100)	20"	100	45372	61386	708	12.7	15.9	203
CA-6111CW(24"x5)	24"	5	48041	72507	620	12.7	19.1	102
CA-6111CW(24"x10)	24"	10	48041	72507	630	12.7	19.1	102
CA-6111CW(24"x15)	24"	15	48041	72507	640	12.7	19.1	102
CA-6111CW(24"x20)	24"	20	48041	72507	650	12.7	19.1	102
CA-6111CW(24"x30)	24"	30	48041	72507	670	12.7	19.1	102
CA-6111CW(24"x40)	24"	40	48041	72507	690	12.7	19.1	152
CA-6111CW(24"x50)	24"	50	48041	72507	710	12.7	19.1	152
CA-6111CW(24"x60)	24"	60	48041	72507	730	12.7	19.1	152
CA-6111CW(24"x70)	24"	70	48041	72507	750	12.7	19.1	152
CA-6111CW(24"x80)	24"	80	48041	72507	770	12.7	19.1	203
CA-6111CW(24"x90)	24"	90	48041	72507	790	12.7	19.1	203
CA-6111CW(24"x100)	24"	100	48041	72507	810	12.7	19.1	203
CA-6111CW(30"x5)	30"	5	62720	89410	772	12.7	19.1	102
CA-6111CW(30"x10)	30"	10	62720	89410	782	12.7	19.1	102
CA-6111CW(30"x15)	30"	15	62720	89410	792	12.7	19.1	102
CA-6111CW(30"x20)	30"	20	62720	89410	802	12.7	19.1	102
CA-6111CW(30"x30)	30"	30	62720	89410	822	12.7	19.1	152
CA-6111CW(30"x40)	30"	40	62720	89410	842	12.7	19.1	152
CA-6111CW(30"x50)	30"	50	62720	89410	862	12.7	19.1	152
CA-6111CW(30"x60)	30"	60	62720	89410	882	12.7	19.1	152





Model & Size	Pipe size	Insulation Thk (mm)	Vertical Load (N)	Axial Load (N)	Insul OD (mm)	Plate THK (T)	Bolt Dia.	BOP
CA-6111CW(30"x70)	30"	70	62720	89410	902	12.7	19.1	152
CA-6111CW(30"x80)	30"	80	62720	89410	922	12.7	19.1	203
CA-6111CW(30"x90)	30"	90	62720	89410	942	12.7	19.1	203
CA-6111CW(30"x100)	30"	100	62720	89410	962	12.7	19.1	203
CA-6111CW(36"x5)	36"	5	73396	106313	925	12.7	19.1	102
CA-6111CW(36"x10)	36"	10	73396	106313	935	12.7	19.1	102
CA-6111CW(36"x15)	36"	15	73396	106313	945	12.7	19.1	102
CA-6111CW(36"x20)	36"	20	73396	106313	955	12.7	19.1	102
CA-6111CW(36"x30)	36"	30	73396	106313	975	12.7	19.1	152
CA-6111CW(36"x40)	36"	40	73396	106313	995	12.7	19.1	152
CA-6111CW(36"x50)	36"	50	73396	106313	1015	12.7	19.1	152
CA-6111CW(36"x60)	36"	60	73396	106313	1035	12.7	19.1	152
CA-6111CW(36"x70)	36"	70	73396	106313	1055	12.7	19.1	152
CA-6111CW(36"x80)	36"	80	73396	106313	1075	12.7	19.1	203
CA-6111CW(36"x90)	36"	90	73396	106313	1095	12.7	19.1	203
CA-6111CW(36"x100)	36"	100	73396	106313	1115	12.7	19.1	203
CA-6111CW(42"x5)	42"	5	82737	106313	1077	12.7	19.1	102
CA-6111CW(42"x10)	42"	10	82737	106313	1087	12.7	19.1	102
CA-6111CW(42"x15)	42"	15	82737	106313	1097	12.7	19.1	102
CA-6111CW(42"x20)	42"	20	82737	106313	1107	12.7	19.1	102
CA-6111CW(42"x30)	42"	30	82737	106313	1127	12.7	19.1	152
CA-6111CW(42"x40)	42"	40	82737	106313	1147	12.7	19.1	152
CA-6111CW(42"x50)	42"	50	82737	106313	1167	12.7	19.1	152
CA-6111CW(42"x60)	42"	60	82737	106313	1187	12.7	19.1	152
CA-6111CW(42"x70)	42"	70	82737	106313	1207	12.7	19.1	152
CA-6111CW(42"x80)	42"	80	82737	106313	1227	12.7	19.1	203
CA-6111CW(42"x90)	42"	90	82737	106313	1247	12.7	19.1	203
CA-6111CW(42"x100)	42"	100	82737	106313	1267	12.7	19.1	203





# PyroWrap<sup>™</sup>

## Product information (Metric)



PyroWrap<sup>™</sup>  
(Metric)

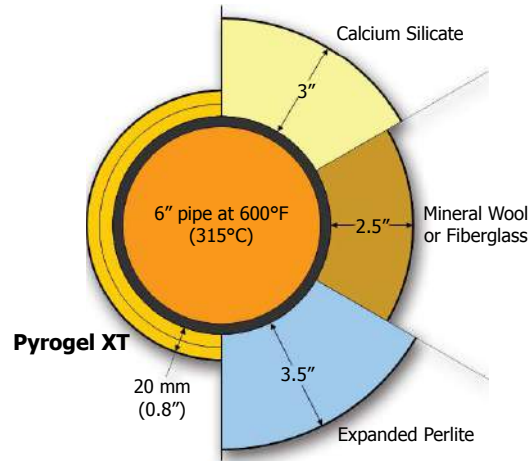
## RILCO PyroWrap™ for Hot Work and High Temperatures

**Service Temperature Ranges: -40°F (-40°C) to 1200°F (650°C)**



PyroWrap™ pipe supports utilize Aspen Aerogel's PyroGel™ XT or PyroGel™ XTF (fire protection grade) comprised of a silica aerogel blanket reinforced with non-woven glass-fiber batting. They are specifically engineered with 50% to 80% less thickness, making them substantially lighter in weight thereby making for an easier less costly installation

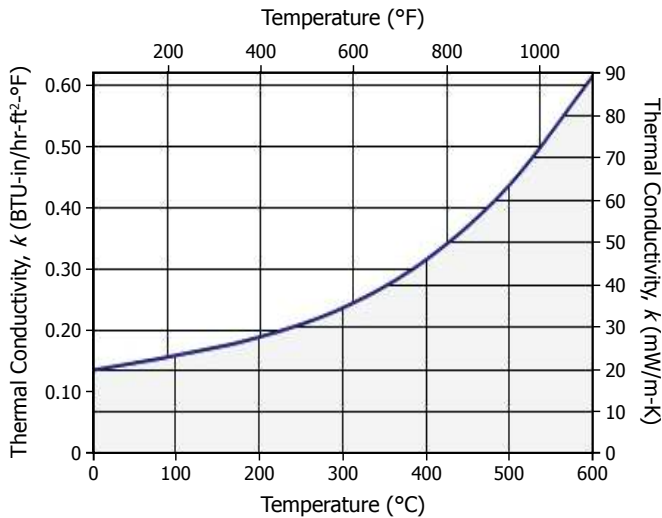
PyroWrap™ pipe supports provide special properties making them the most effective protection for high-temperature applications available. They have the lowest thermal conductivity of any known solid and are hydrophobic, offering a level of protection against corrosion under the insulation as well as flexible, recovering thermal performance after compression as high as 100 psi.



All four designs provide same level of thermal efficiency

### Thermal Conductivity<sup>†</sup>

ASTM C 177 Results



Mean Temp. °C	0	100	200	300	400	500	600
°F	32	212	392	572	752	932	1112
k mW/m-K	0.14	0.16	0.19	0.24	0.32	0.44	0.62
k BTU-in/hr-ft²-°F	0.14	0.16	0.19	0.24	0.32	0.44	0.62

<sup>†</sup>Thermal conductivity measurements taken at a compressive load of 2 psi.

### Comparable Insulation Ratings



PyroWrap™

Cal-Sil

### Physical Properties

<b>Thicknesses*</b>	0.20 in (5 mm)	0.40 in (10 mm)
<b>Material Form*</b>	60 in (1,500 mm) wide x 260 ft (80 m) long rolls	60 in (1,500 mm) wide x 155 ft (47 m) long rolls
<b>Max. Use Temp.</b>	1200°F (650°C)	
<b>Color</b>	Beige	
<b>Density*</b>	11 lb/ft³ (0.18 g/cc)	
<b>Hydrophobic</b>	Yes	

\*Nominal Values

## RILCO PyroWrap™ - Properties

Service Temperature Ranges: -40°F (-40°C) to 1200°F (650°C)

**Thermal Performance:** PyroWrap™ pipe supports are essentially the most efficient products available in the world for high temperature applications. They are 2-5 times thinner than other products with comparable thermal ratings.

**Moisture Resistance:** PyroWrap™ pipe supports are hydrophobic over the entire matrix of the insulation, not just the surface. The unique characteristic of Pyrogel™ insulation causes liquid water to be repelled but allows vapor to pass through thus wicking the moisture away from the pipe, helping to prevent corrosion and deterioration of the substrate.

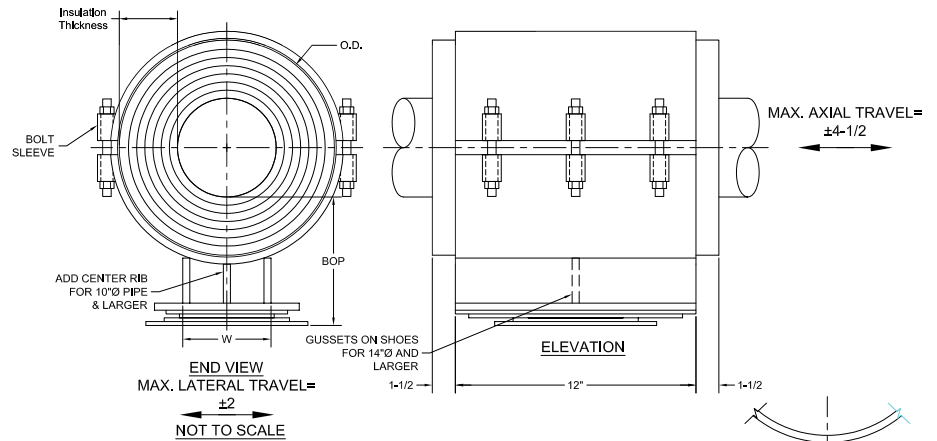
**Structural Integrity:** PyroWrap™ pipe supports provide superior structural integrity in comparison to other products commonly used in high temperature applications. PyroWrap™ supports are not only durable but resilient being rated similar to stainless steel when tested to all stress crack corrosion specifications.

**Dimensional Stability:** PyroWrap™ pipe supports allow minimal movement of the insulated system yet remain flexible and experience no thermal shock. The usual issues of degraded insulation caused by contraction, extreme stresses, damaged structure and crack propagation problems encountered with the standard rigid cellular insulation mediums are no longer a concern.



### Specification Compliance and Performance

Test Procedure	Property	Results
ASTM C 165	Compressive Strength	Stress at 10% strain = 14.8 psi (102 kPa) Stress at 25% strain = 26.6 psi (183 kPa)
ASTM C 356	Linear Shrinkage Under Soaking Heat	< 1.3% @ 1200°F (650°C)
ASTM C 411	Hot Surface Performance	Passed
ASTM C 447	Estimation of Maximum Use Temperature	1200°F (650°C)
ASTM C 592-04 (Section 11.11, Modified)	Heat and Vibration Aging	-0.19% mass change after 6 hr vibration
ASTM C 795	Insulation for Use Over Austenitic Stainless Steel	Passed
ASTM C 1101	Classifying the Flexibility of Mineral Fiber Blankets	Class: Resilient Flexible
ASTM C 1104	Water Vapor Sorption	2.25% (by weight)
ASTM C 1338	Fungal Resistance of Insulation Materials	Passed
ASTM C 1511	Liquid Water Retention After Submersion	4% (by weight)
ASTM E 84	Surface Burning Characteristics	Flame Spread Index = 0 Smoke Developed Index = 0
ASTM E 1354	Cone Calorimetry	No ignition at 50 kW/m <sup>2</sup>
BS EN 13501-1: 2007	Reaction to Fire Performance	Passed Euroclass A2
ISO 1182:1990	Non-Combustibility	Meets criteria outlined in ISO 1182:1990



\* W = .55 x O.D.

\*\* 4" FOR INSULATION THKS. <= 4"  
\*\* 6-1/2" FOR INSULATION THKS. >4  
PIPE SIZES 4" & SMALLER

Model & Size	Pipe size	Insulation Thk (mm)	Load (N)	Insul OD (mm)	Plate THK	Bolt Dia.	BOP
HS-6111CW(1/2"x5)	1/2"	5	1557	32	4.8	9.5	102
HS-6111CW(1/2"x10)	1/2"	10	1557	42	4.8	9.5	102
HS-6111CW(1/2"x15)	1/2"	15	1557	52	4.8	9.5	102
HS-6111CW(1/2"x20)	1/2"	20	1557	62	4.8	9.5	102
HS-6111CW(1/2"x25)	1/2"	25	1557	72	4.8	9.5	102
HS-6111CW(1/2"x30)	1/2"	30	1557	82	4.8	9.5	102
HS-6111CW(1/2"x35)	1/2"	35	1557	92	4.8	9.5	102
HS-6111CW(1/2"x40)	1/2"	40	1557	102	4.8	9.5	152
HS-6111CW(1/2"x45)	1/2"	45	1557	112	4.8	9.5	152
HS-6111CW(1/2"x50)	1/2"	50	1557	122	4.8	9.5	152
HS-6111CW(1/2"x55)	1/2"	55	1557	132	4.8	9.5	152
HS-6111CW(1/2"x60)	1/2"	60	1557	142	4.8	9.5	203
HS-6111CW(1/2"x65)	1/2"	65	1557	152	4.8	9.5	203
HS-6111CW(1/2"x70)	1/2"	70	1557	162	4.8	9.5	203
HS-6111CW(3/4"x5)	3/4"	5	2002	37	4.8	9.5	102
HS-6111CW(3/4"x10)	3/4"	10	2002	47	4.8	9.5	102
HS-6111CW(3/4"x15)	3/4"	15	2002	57	4.8	9.5	102
HS-6111CW(3/4"x20)	3/4"	20	2002	67	4.8	9.5	102
HS-6111CW(3/4"x25)	3/4"	25	2002	77	4.8	9.5	102
HS-6111CW(3/4"x30)	3/4"	30	2002	87	4.8	9.5	102
HS-6111CW(3/4"x35)	3/4"	35	2002	97	4.8	9.5	102
HS-6111CW(3/4"x40)	3/4"	40	2002	107	4.8	9.5	152

(Continued on following pages)

**Applications and Features**

-Accommodates Axial Travel up to +/- 4-1/2" on center or 9" if shoe is offset from supporting steel.

-For Axial movements 4-1/2" and larger please contact RILCO.

-Accommodates Lateral Travel to +/- 2"

-Temperature Range -40° F to 1200° F.

-Higher Temperature Applications Available.

-Teflon Slide plates on shoe and supporting steel.

-Design loads based on safety factor of 5.

-A-36 steel construction.

-See technical Specification RHS-850

-Test results available upon request.

Steel finish available in Galvanized or painted finishes.

-Support constructed in accordance with ASME B31.1, B31.3 and MSS-SP58.

-A307 or B7 plated bolts/studs.

-For special applications, or for information on other Insulation and Pipe sizes, contact Factory

-Utilizes RILCO proprietary low profile ears.





Model & Size	Pipe size	Insulation Thk (mm)	Load (N)	Insul OD (mm)	Plate THK	Bolt Dia.	BOP
HS-6111CW(3/4"x45)	3/4"	45	2002	117	4.8	9.5	152
HS-6111CW(3/4"x50)	3/4"	50	2002	127	4.8	9.5	152
HS-6111CW(3/4"x55)	3/4"	55	2002	137	4.8	9.5	152
HS-6111CW(3/4"x60)	3/4"	60	2002	147	4.8	9.5	203
HS-6111CW(3/4"x65)	3/4"	65	2002	157	4.8	9.5	203
HS-6111CW(3/4"x70)	3/4"	70	2002	167	4.8	9.5	203
HS-6111CW(1"x5)	1"	5	2669	44	4.8	9.5	102
HS-6111CW(1"x10)	1"	10	2669	54	4.8	9.5	102
HS-6111CW(1"x15)	1"	15	2669	64	4.8	9.5	102
HS-6111CW(1"x20)	1"	20	2669	74	4.8	9.5	102
HS-6111CW(1"x25)	1"	25	2669	84	4.8	9.5	102
HS-6111CW(1"x30)	1"	30	2669	94	4.8	9.5	102
HS-6111CW(1"x35)	1"	35	2669	104	4.8	9.5	102
HS-6111CW(1"x40)	1"	40	2669	114	4.8	9.5	152
HS-6111CW(1"x45)	1"	45	2669	124	4.8	9.5	152
HS-6111CW(1"x50)	1"	50	2669	134	4.8	9.5	152
HS-6111CW(1"x55)	1"	55	2669	144	4.8	9.5	152
HS-6111CW(1"x60)	1"	60	2669	154	4.8	9.5	203
HS-6111CW(1"x65)	1"	65	2669	164	4.8	9.5	203
HS-6111CW(1"x70)	1"	70	2669	174	4.8	9.5	203
HS-6111CW(1-1/2"x5)	1-1/2"	5	3870	59	6.4	9.5	102
HS-6111CW(1-1/2"x10)	1-1/2"	10	3870	69	6.4	9.5	102
HS-6111CW(1-1/2"x15)	1-1/2"	15	3870	79	6.4	9.5	102
HS-6111CW(1-1/2"x20)	1-1/2"	20	3870	89	6.4	9.5	102
HS-6111CW(1-1/2"x25)	1-1/2"	25	3870	99	6.4	9.5	102
HS-6111CW(1-1/2"x30)	1-1/2"	30	3870	109	6.4	9.5	102
HS-6111CW(1-1/2"x35)	1-1/2"	35	3870	119	6.4	9.5	102
HS-6111CW(1-1/2"x40)	1-1/2"	40	3870	129	6.4	9.5	152
HS-6111CW(1-1/2"x45)	1-1/2"	45	3870	139	6.4	9.5	152
HS-6111CW(1-1/2"x50)	1-1/2"	50	3870	149	6.4	9.5	152
HS-6111CW(1-1/2"x55)	1-1/2"	55	3870	159	6.4	9.5	152
HS-6111CW(1-1/2"x60)	1-1/2"	60	3870	169	6.4	9.5	203
HS-6111CW(1-1/2"x65)	1-1/2"	65	3870	179	6.4	9.5	203
HS-6111CW(1-1/2"x70)	1-1/2"	70	3870	189	6.4	9.5	203
HS-6111CW(2"x5)	2"	5	4849	71	6.4	9.5	102
HS-6111CW(2"x10)	2"	10	4849	81	6.4	9.5	102
HS-6111CW(2"x15)	2"	15	4849	91	6.4	9.5	102
HS-6111CW(2"x20)	2"	20	4849	101	6.4	9.5	102
HS-6111CW(2"x25)	2"	25	4849	111	6.4	9.5	102
HS-6111CW(2"x30)	2"	30	4849	121	6.4	9.5	102
HS-6111CW(2"x35)	2"	35	4849	131	6.4	9.5	102
HS-6111CW(2"x40)	2"	40	4849	141	6.4	9.5	152
HS-6111CW(2"x45)	2"	45	4849	151	6.4	9.5	152
HS-6111CW(2"x50)	2"	50	4849	161	6.4	9.5	152
HS-6111CW(2"x55)	2"	55	4849	171	6.4	9.5	152
HS-6111CW(2"x60)	2"	60	4849	181	6.4	9.5	203
HS-6111CW(2"x65)	2"	65	4849	191	6.4	9.5	203
HS-6111CW(2"x70)	2"	70	4849	201	6.4	9.5	203
HS-6111CW(2-1/2"x5)	2-1/2"	5	5828	84	6.4	12.7	102
HS-6111CW(2-1/2"x10)	2-1/2"	10	5828	94	6.4	12.7	102
HS-6111CW(2-1/2"x15)	2-1/2"	15	5828	104	6.4	12.7	102
HS-6111CW(2-1/2"x20)	2-1/2"	20	5828	114	6.4	12.7	102
HS-6111CW(2-1/2"x25)	2-1/2"	25	5828	124	6.4	12.7	102
HS-6111CW(2-1/2"x30)	2-1/2"	30	5828	134	6.4	12.7	102



Model & Size	Pipe size	Insulation Thk (mm)	Load (N)	Insul OD (mm)	Plate THK	Bolt Dia.	BOP
HS-6111CW(2-1/2"x35)	2-1/2"	35	5828	144	6.4	12.7	102
HS-6111CW(2-1/2"x40)	2-1/2"	40	5828	154	6.4	12.7	152
HS-6111CW(2-1/2"x45)	2-1/2"	45	5828	164	6.4	12.7	152
HS-6111CW(2-1/2"x50)	2-1/2"	50	5828	174	6.4	12.7	152
HS-6111CW(2-1/2"x55)	2-1/2"	55	5828	184	6.4	12.7	152
HS-6111CW(2-1/2"x60)	2-1/2"	60	5828	194	6.4	12.7	203
HS-6111CW(2-1/2"x65)	2-1/2"	65	5828	204	6.4	12.7	203
HS-6111CW(2-1/2"x70)	2-1/2"	70	5828	214	6.4	12.7	203
HS-6111CW(3"x5)	3"	5	7118	99	6.4	12.7	102
HS-6111CW(3"x10)	3"	10	7118	109	6.4	12.7	102
HS-6111CW(3"x15)	3"	15	7118	119	6.4	12.7	102
HS-6111CW(3"x20)	3"	20	7118	129	6.4	12.7	102
HS-6111CW(3"x25)	3"	25	7118	139	6.4	12.7	102
HS-6111CW(3"x30)	3"	30	7118	149	6.4	12.7	102
HS-6111CW(3"x35)	3"	35	7118	159	6.4	12.7	102
HS-6111CW(3"x40)	3"	40	7118	169	6.4	12.7	152
HS-6111CW(3"x45)	3"	45	7118	179	6.4	12.7	152
HS-6111CW(3"x50)	3"	50	7118	189	6.4	12.7	152
HS-6111CW(3"x55)	3"	55	7118	199	6.4	12.7	152
HS-6111CW(3"x60)	3"	60	7118	209	6.4	12.7	203
HS-6111CW(3"x65)	3"	65	7118	219	6.4	12.7	203
HS-6111CW(3"x70)	3"	70	7118	229	6.4	12.7	203
HS-6111CW(4"x5)	4"	5	11121	125	9.5	12.7	102
HS-6111CW(4"x10)	4"	10	11121	135	9.5	12.7	102
HS-6111CW(4"x15)	4"	15	11121	145	9.5	12.7	102
HS-6111CW(4"x20)	4"	20	11121	155	9.5	12.7	102
HS-6111CW(4"x30)	4"	30	11121	175	9.5	12.7	102
HS-6111CW(4"x40)	4"	40	11121	195	9.5	12.7	102
HS-6111CW(4"x50)	4"	50	11121	215	9.5	12.7	102
HS-6111CW(4"x60)	4"	60	11121	235	9.5	12.7	152
HS-6111CW(4"x70)	4"	70	11121	255	9.5	12.7	152
HS-6111CW(4"x80)	4"	80	11121	275	9.5	12.7	152
HS-6111CW(4"x90)	4"	90	11121	295	9.5	12.7	152
HS-6111CW(4"x100)	4"	100	11121	315	9.5	12.7	152
HS-6111CW(5"x5)	5"	5	13790	152	9.5	12.7	102
HS-6111CW(5"x10)	5"	10	13790	162	9.5	12.7	102
HS-6111CW(5"x15)	5"	15	13790	172	9.5	12.7	102
HS-6111CW(5"x20)	5"	20	13790	182	9.5	12.7	102
HS-6111CW(5"x30)	5"	30	13790	202	9.5	12.7	102
HS-6111CW(5"x40)	5"	40	13790	222	9.5	12.7	102
HS-6111CW(5"x50)	5"	50	13790	242	9.5	12.7	102
HS-6111CW(5"x60)	5"	60	13790	262	9.5	12.7	152
HS-6111CW(5"x70)	5"	70	13790	282	9.5	12.7	152
HS-6111CW(5"x80)	5"	80	13790	302	9.5	12.7	152
HS-6111CW(5"x90)	5"	90	13790	322	9.5	12.7	152
HS-6111CW(5"x100)	5"	100	13790	342	9.5	12.7	152
HS-6111CW(6"x5)	6"	5	16904	179	9.5	12.7	102
HS-6111CW(6"x10)	6"	10	16904	189	9.5	12.7	102
HS-6111CW(6"x15)	6"	15	16904	199	9.5	12.7	102
HS-6111CW(6"x20)	6"	20	16904	209	9.5	12.7	102
HS-6111CW(6"x30)	6"	30	16904	229	9.5	12.7	102
HS-6111CW(6"x40)	6"	40	16904	249	9.5	12.7	102
HS-6111CW(6"x50)	6"	50	16904	269	9.5	12.7	102
HS-6111CW(6"x60)	6"	60	16904	289	9.5	12.7	152



Model & Size	Pipe size	Insulation Thk (mm)	Load (N)	Insul OD (mm)	Plate THK	Bolt Dia.	BOP
HS-6111CW(6"x70)	6"	70	16904	309	9.5	12.7	152
HS-6111CW(6"x80)	6"	80	16904	329	9.5	12.7	152
HS-6111CW(6"x90)	6"	90	16904	349	9.5	12.7	152
HS-6111CW(6"x100)	6"	100	16904	369	9.5	12.7	152
HS-6111CW(8"x5)	8"	5	22686	230	9.5	12.7	102
HS-6111CW(8"x10)	8"	10	22686	240	9.5	12.7	102
HS-6111CW(8"x15)	8"	15	22686	250	9.5	12.7	102
HS-6111CW(8"x20)	8"	20	22686	260	9.5	12.7	102
HS-6111CW(8"x30)	8"	30	22686	280	9.5	12.7	102
HS-6111CW(8"x40)	8"	40	22686	300	9.5	12.7	102
HS-6111CW(8"x50)	8"	50	22686	320	9.5	12.7	152
HS-6111CW(8"x60)	8"	60	22686	340	9.5	12.7	152
HS-6111CW(8"x70)	8"	70	22686	360	9.5	12.7	152
HS-6111CW(8"x80)	8"	80	22686	380	9.5	12.7	152
HS-6111CW(8"x90)	8"	90	22686	400	9.5	12.7	152
HS-6111CW(8"x100)	8"	100	22686	420	9.5	12.7	152
HS-6111CW(10"x5)	10"	5	26690	284	9.5	12.7	102
HS-6111CW(10"x10)	10"	10	26690	294	9.5	12.7	102
HS-6111CW(10"x15)	10"	15	26690	304	9.5	12.7	102
HS-6111CW(10"x20)	10"	20	26690	314	9.5	12.7	102
HS-6111CW(10"x30)	10"	30	26690	334	9.5	12.7	102
HS-6111CW(10"x40)	10"	40	26690	354	9.5	12.7	102
HS-6111CW(10"x50)	10"	50	26690	374	9.5	12.7	152
HS-6111CW(10"x60)	10"	60	26690	394	9.5	12.7	152
HS-6111CW(10"x70)	10"	70	26690	414	9.5	12.7	152
HS-6111CW(10"x80)	10"	80	26690	434	9.5	12.7	152
HS-6111CW(10"x90)	10"	90	26690	454	9.5	12.7	152
HS-6111CW(10"x100)	10"	100	26690	474	9.5	12.7	152
HS-6111CW(12"x5)	12"	5	29359	334	9.5	15.9	102
HS-6111CW(12"x10)	12"	10	29359	344	9.5	15.9	102
HS-6111CW(12"x15)	12"	15	29359	354	9.5	15.9	102
HS-6111CW(12"x20)	12"	20	29359	364	9.5	15.9	102
HS-6111CW(12"x30)	12"	30	29359	384	9.5	15.9	102
HS-6111CW(12"x40)	12"	40	29359	404	9.5	15.9	102
HS-6111CW(12"x50)	12"	50	29359	424	9.5	15.9	152
HS-6111CW(12"x60)	12"	60	29359	444	9.5	15.9	152
HS-6111CW(12"x70)	12"	70	29359	464	9.5	15.9	152
HS-6111CW(12"x80)	12"	80	29359	484	9.5	15.9	152
HS-6111CW(12"x90)	12"	90	29359	504	9.5	15.9	152
HS-6111CW(12"x100)	12"	100	29359	524	9.5	15.9	152
HS-6111CW(14"x5)	14"	5	33362	366	9.5	15.9	102
HS-6111CW(14"x10)	14"	10	33362	376	9.5	15.9	102
HS-6111CW(14"x15)	14"	15	33362	386	9.5	15.9	102
HS-6111CW(14"x20)	14"	20	33362	396	9.5	15.9	102
HS-6111CW(14"x30)	14"	30	33362	416	9.5	15.9	102
HS-6111CW(14"x40)	14"	40	33362	436	9.5	15.9	102
HS-6111CW(14"x50)	14"	50	33362	456	9.5	15.9	152
HS-6111CW(14"x60)	14"	60	33362	476	9.5	15.9	152
HS-6111CW(14"x70)	14"	70	33362	496	9.5	15.9	152
HS-6111CW(14"x80)	14"	80	33362	516	9.5	15.9	152
HS-6111CW(14"x90)	14"	90	33362	536	9.5	15.9	152
HS-6111CW(14"x100)	14"	100	33362	556	9.5	15.9	152
HS-6111CW(16"x5)	16"	5	38700	417	9.5	15.9	102
HS-6111CW(16"x10)	16"	10	38700	427	9.5	15.9	102



Model & Size	Pipe size	Insulation Thk (mm)	Load (N)	Insul OD (mm)	Plate THK	Bolt Dia.	BOP
HS-6111CW(16"x15)	16"	15	38700	437	9.5	15.9	102
HS-6111CW(16"x20)	16"	20	38700	447	9.5	15.9	102
HS-6111CW(16"x30)	16"	30	38700	467	9.5	15.9	102
HS-6111CW(16"x40)	16"	40	38700	487	9.5	15.9	152
HS-6111CW(16"x50)	16"	50	38700	507	9.5	15.9	152
HS-6111CW(16"x60)	16"	60	38700	527	9.5	15.9	152
HS-6111CW(16"x70)	16"	70	38700	547	9.5	15.9	152
HS-6111CW(16"x80)	16"	80	38700	567	9.5	15.9	203
HS-6111CW(16"x90)	16"	90	38700	587	9.5	15.9	203
HS-6111CW(16"x100)	16"	100	38700	607	9.5	15.9	203
HS-6111CW(18"x5)	18"	5	42703	468	9.5	15.9	102
HS-6111CW(18"x10)	18"	10	42703	478	9.5	15.9	102
HS-6111CW(18"x15)	18"	15	42703	488	9.5	15.9	102
HS-6111CW(18"x20)	18"	20	42703	498	9.5	15.9	102
HS-6111CW(18"x30)	18"	30	42703	518	9.5	15.9	102
HS-6111CW(18"x40)	18"	40	42703	538	9.5	15.9	152
HS-6111CW(18"x50)	18"	50	42703	558	9.5	15.9	152
HS-6111CW(18"x60)	18"	60	42703	578	9.5	15.9	152
HS-6111CW(18"x70)	18"	70	42703	598	9.5	15.9	152
HS-6111CW(18"x80)	18"	80	42703	618	9.5	15.9	203
HS-6111CW(18"x90)	18"	90	42703	638	9.5	15.9	203
HS-6111CW(18"x100)	18"	100	42703	658	9.5	15.9	203
HS-6111CW(20"x5)	20"	5	45372	518	9.5	15.9	102
HS-6111CW(20"x10)	20"	10	45372	528	9.5	15.9	102
HS-6111CW(20"x15)	20"	15	45372	538	9.5	15.9	102
HS-6111CW(20"x20)	20"	20	45372	548	9.5	15.9	102
HS-6111CW(20"x30)	20"	30	45372	568	9.5	15.9	102
HS-6111CW(20"x40)	20"	40	45372	588	9.5	15.9	152
HS-6111CW(20"x50)	20"	50	45372	608	9.5	15.9	152
HS-6111CW(20"x60)	20"	60	45372	628	9.5	15.9	152
HS-6111CW(20"x70)	20"	70	45372	648	9.5	15.9	152
HS-6111CW(20"x80)	20"	80	45372	668	9.5	15.9	203
HS-6111CW(20"x90)	20"	90	45372	688	9.5	15.9	203
HS-6111CW(20"x100)	20"	100	45372	708	9.5	15.9	203
HS-6111CW(24"x5)	24"	5	48041	620	9.5	19.1	102
HS-6111CW(24"x10)	24"	10	48041	630	9.5	19.1	102
HS-6111CW(24"x15)	24"	15	48041	640	9.5	19.1	102
HS-6111CW(24"x20)	24"	20	48041	650	9.5	19.1	102
HS-6111CW(24"x30)	24"	30	48041	670	9.5	19.1	102
HS-6111CW(24"x40)	24"	40	48041	690	9.5	19.1	152
HS-6111CW(24"x50)	24"	50	48041	710	9.5	19.1	152
HS-6111CW(24"x60)	24"	60	48041	730	9.5	19.1	152
HS-6111CW(24"x70)	24"	70	48041	750	9.5	19.1	152
HS-6111CW(24"x80)	24"	80	48041	770	9.5	19.1	203
HS-6111CW(24"x90)	24"	90	48041	790	9.5	19.1	203
HS-6111CW(24"x100)	24"	100	48041	810	9.5	19.1	203
HS-6111CW(30"x5)	30"	5	62720	772	12.7	19.1	102
HS-6111CW(30"x10)	30"	10	62720	782	12.7	19.1	102
HS-6111CW(30"x15)	30"	15	62720	792	12.7	19.1	102
HS-6111CW(30"x20)	30"	20	62720	802	12.7	19.1	102
HS-6111CW(30"x30)	30"	30	62720	822	12.7	19.1	152
HS-6111CW(30"x40)	30"	40	62720	842	12.7	19.1	152
HS-6111CW(30"x50)	30"	50	62720	862	12.7	19.1	152
HS-6111CW(30"x60)	30"	60	62720	882	12.7	19.1	152



Model & Size	Pipe size	Insulation Thk (mm)	Load (N)	Insul OD (mm)	Plate THK	Bolt Dia.	BOP
HS-6111CW(30"x70)	30"	70	62720	902	12.7	19.1	152
HS-6111CW(30"x80)	30"	80	62720	922	12.7	19.1	203
HS-6111CW(30"x90)	30"	90	62720	942	12.7	19.1	203
HS-6111CW(30"x100)	30"	100	62720	962	12.7	19.1	203
HS-6111CW(36"x5)	36"	5	73396	925	12.7	19.1	102
HS-6111CW(36"x10)	36"	10	73396	935	12.7	19.1	102
HS-6111CW(36"x15)	36"	15	73396	945	12.7	19.1	102
HS-6111CW(36"x20)	36"	20	73396	955	12.7	19.1	102
HS-6111CW(36"x30)	36"	30	73396	975	12.7	19.1	152
HS-6111CW(36"x40)	36"	40	73396	995	12.7	19.1	152
HS-6111CW(36"x50)	36"	50	73396	1015	12.7	19.1	152
HS-6111CW(36"x60)	36"	60	73396	1035	12.7	19.1	152
HS-6111CW(36"x70)	36"	70	73396	1055	12.7	19.1	152
HS-6111CW(36"x80)	36"	80	73396	1075	12.7	19.1	203
HS-6111CW(36"x90)	36"	90	73396	1095	12.7	19.1	203
HS-6111CW(36"x100)	36"	100	73396	1115	12.7	19.1	203
HS-6111CW(42"x5)	42"	5	73396	1077	12.7	19.1	102
HS-6111CW(42"x10)	42"	10	73396	1087	12.7	19.1	102
HS-6111CW(42"x15)	42"	15	73396	1097	12.7	19.1	102
HS-6111CW(42"x20)	42"	20	73396	1107	12.7	19.1	102
HS-6111CW(42"x30)	42"	30	73396	1127	12.7	19.1	152
HS-6111CW(42"x40)	42"	40	73396	1147	12.7	19.1	152
HS-6111CW(42"x50)	42"	50	73396	1167	12.7	19.1	152
HS-6111CW(42"x60)	42"	60	73396	1187	12.7	19.1	152
HS-6111CW(42"x70)	42"	70	73396	1207	12.7	19.1	152
HS-6111CW(42"x80)	42"	80	73396	1227	12.7	19.1	203
HS-6111CW(42"x90)	42"	90	73396	1247	12.7	19.1	203
HS-6111CW(42"x100)	42"	100	73396	1267	12.7	19.1	203





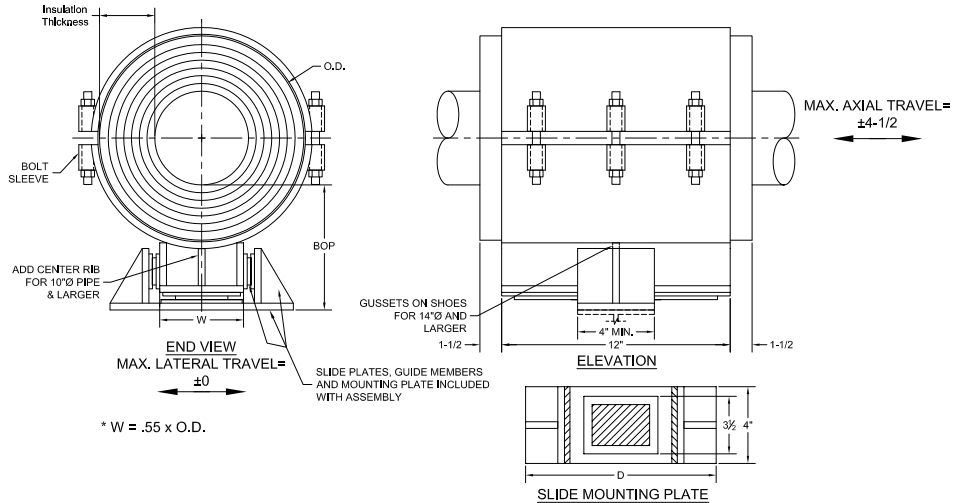
# PyroWrap<sup>™</sup>

## Hot Guide

### Engineering Data



PyroWrap<sup>™</sup> Guides  
(Metric)



Model & Size	Pipe size	Insulation Thk (mm)	Load (N)	Insul OD (mm)	Plate THK	Bolt Dia.	BOP	D
HG-6111CW(1/2"x5)	1/2"	5	1669	32	4.8	9.5	102	151
HG-6111CW(1/2"x10)	1/2"	10	1669	42	4.8	9.5	102	156
HG-6111CW(1/2"x15)	1/2"	15	1669	52	4.8	9.5	102	162
HG-6111CW(1/2"x20)	1/2"	20	1669	62	4.8	9.5	102	167
HG-6111CW(1/2"x25)	1/2"	25	1669	72	4.8	9.5	102	173
HG-6111CW(1/2"x30)	1/2"	30	1669	82	4.8	9.5	102	178
HG-6111CW(1/2"x35)	1/2"	35	1669	92	4.8	9.5	102	184
HG-6111CW(1/2"x40)	1/2"	40	1669	102	4.8	9.5	152	189
HG-6111CW(1/2"x45)	1/2"	45	1669	112	4.8	9.5	152	195
HG-6111CW(1/2"x50)	1/2"	50	1669	122	4.8	9.5	152	200
HG-6111CW(1/2"x55)	1/2"	55	1669	132	4.8	9.5	152	206
HG-6111CW(1/2"x60)	1/2"	60	1669	142	4.8	9.5	203	211
HG-6111CW(1/2"x65)	1/2"	65	1669	152	4.8	9.5	203	217
HG-6111CW(1/2"x70)	1/2"	70	1669	162	4.8	9.5	203	222
HG-6111CW(3/4"x5)	3/4"	5	2069	37	4.8	9.5	102	154
HG-6111CW(3/4"x10)	3/4"	10	2069	47	4.8	9.5	102	159
HG-6111CW(3/4"x15)	3/4"	15	2069	57	4.8	9.5	102	165
HG-6111CW(3/4"x20)	3/4"	20	2069	67	4.8	9.5	102	170
HG-6111CW(3/4"x25)	3/4"	25	2069	77	4.8	9.5	102	176
HG-6111CW(3/4"x30)	3/4"	30	2069	87	4.8	9.5	102	181
HG-6111CW(3/4"x35)	3/4"	35	2069	97	4.8	9.5	102	187
HG-6111CW(3/4"x40)	3/4"	40	2069	107	4.8	9.5	152	192

(Continued on following pages)

**Applications and Features**

- Accommodates Axial Travel up to +/- 4-1/2" on center or 9" if shoe is offset from supporting steel.
- For Axial movements 4-1/2" and larger please contact RILCO.
- Temperature Range -40° F to 1200° F.
- Higher Temperature Applications Available.
- Teflon Slide plates on shoe and supporting steel.
- Design loads based on safety factor of 5.
- Supports lateral guide loads up to 50% of actual vertical load.

- A-36 steel construction.
- See technical Specification RHS-850
- Test results available upon request.
- Steel finish available in Galvanized or painted finishes.
- Support constructed in accordance with ASME B31.1, B31.3 and MSS-SP58.
- A307 or B7 plated bolts/studs.
- For special applications, or for information on other Insulation and Pipe sizes, contact Factory
- Utilizes RILCO proprietary low profile ears.



Model & Size	Pipe size	Insulation Thk (mm)	Load (N)	Insul OD (mm)	Plate THK	Bolt Dia.	BOP	D
HG-6111CW(3/4"x45)	3/4"	45	2069	117	4.8	9.5	152	198
HG-6111CW(3/4"x50)	3/4"	50	2069	127	4.8	9.5	152	203
HG-6111CW(3/4"x55)	3/4"	55	2069	137	4.8	9.5	152	209
HG-6111CW(3/4"x60)	3/4"	60	2069	147	4.8	9.5	203	214
HG-6111CW(3/4"x65)	3/4"	65	2069	157	4.8	9.5	203	220
HG-6111CW(3/4"x70)	3/4"	70	2069	167	4.8	9.5	203	225
HG-6111CW(1"x5)	1"	5	2669	44	4.8	9.5	102	157
HG-6111CW(1"x10)	1"	10	2669	54	4.8	9.5	102	163
HG-6111CW(1"x15)	1"	15	2669	64	4.8	9.5	102	168
HG-6111CW(1"x20)	1"	20	2669	74	4.8	9.5	102	174
HG-6111CW(1"x25)	1"	25	2669	84	4.8	9.5	102	179
HG-6111CW(1"x30)	1"	30	2669	94	4.8	9.5	102	185
HG-6111CW(1"x35)	1"	35	2669	104	4.8	9.5	102	190
HG-6111CW(1"x40)	1"	40	2669	114	4.8	9.5	152	196
HG-6111CW(1"x45)	1"	45	2669	124	4.8	9.5	152	201
HG-6111CW(1"x50)	1"	50	2669	134	4.8	9.5	152	207
HG-6111CW(1"x55)	1"	55	2669	144	4.8	9.5	152	212
HG-6111CW(1"x60)	1"	60	2669	154	4.8	9.5	203	218
HG-6111CW(1"x65)	1"	65	2669	164	4.8	9.5	203	223
HG-6111CW(1"x70)	1"	70	2669	174	4.8	9.5	203	229
HG-6111CW(1-1/2"x5)	1-1/2"	5	3870	59	6.4	9.5	102	169
HG-6111CW(1-1/2"x10)	1-1/2"	10	3870	69	6.4	9.5	102	174
HG-6111CW(1-1/2"x15)	1-1/2"	15	3870	79	6.4	9.5	102	180
HG-6111CW(1-1/2"x20)	1-1/2"	20	3870	89	6.4	9.5	102	185
HG-6111CW(1-1/2"x25)	1-1/2"	25	3870	99	6.4	9.5	102	191
HG-6111CW(1-1/2"x30)	1-1/2"	30	3870	109	6.4	9.5	102	196
HG-6111CW(1-1/2"x35)	1-1/2"	35	3870	119	6.4	9.5	102	202
HG-6111CW(1-1/2"x40)	1-1/2"	40	3870	129	6.4	9.5	152	207
HG-6111CW(1-1/2"x45)	1-1/2"	45	3870	139	6.4	9.5	152	213
HG-6111CW(1-1/2"x50)	1-1/2"	50	3870	149	6.4	9.5	152	218
HG-6111CW(1-1/2"x55)	1-1/2"	55	3870	159	6.4	9.5	152	224
HG-6111CW(1-1/2"x60)	1-1/2"	60	3870	169	6.4	9.5	203	229
HG-6111CW(1-1/2"x65)	1-1/2"	65	3870	179	6.4	9.5	203	235
HG-6111CW(1-1/2"x70)	1-1/2"	70	3870	189	6.4	9.5	203	240
HG-6111CW(2"x5)	2"	5	4471	71	6.4	9.5	102	175
HG-6111CW(2"x10)	2"	10	4471	81	6.4	9.5	102	181
HG-6111CW(2"x15)	2"	15	4471	91	6.4	9.5	102	186
HG-6111CW(2"x20)	2"	20	4471	101	6.4	9.5	102	192
HG-6111CW(2"x25)	2"	25	4471	111	6.4	9.5	102	197
HG-6111CW(2"x30)	2"	30	4471	121	6.4	9.5	102	203
HG-6111CW(2"x35)	2"	35	4471	131	6.4	9.5	102	208
HG-6111CW(2"x40)	2"	40	4471	141	6.4	9.5	152	214
HG-6111CW(2"x45)	2"	45	4471	151	6.4	9.5	152	219
HG-6111CW(2"x50)	2"	50	4471	161	6.4	9.5	152	225
HG-6111CW(2"x55)	2"	55	4471	171	6.4	9.5	152	230
HG-6111CW(2"x60)	2"	60	4471	181	6.4	9.5	203	236
HG-6111CW(2"x65)	2"	65	4471	191	6.4	9.5	203	241
HG-6111CW(2"x70)	2"	70	4471	201	6.4	9.5	203	247
HG-6111CW(2-1/2"x5)	2-1/2"	5	5472	84	6.4	12.7	102	182
HG-6111CW(2-1/2"x10)	2-1/2"	10	5472	94	6.4	12.7	102	188
HG-6111CW(2-1/2"x15)	2-1/2"	15	5472	104	6.4	12.7	102	193
HG-6111CW(2-1/2"x20)	2-1/2"	20	5472	114	6.4	12.7	102	199
HG-6111CW(2-1/2"x25)	2-1/2"	25	5472	124	6.4	12.7	102	204
HG-6111CW(2-1/2"x30)	2-1/2"	30	5472	134	6.4	12.7	102	210



Model & Size	Pipe size	Insulation Thk (mm)	Load (N)	Insul OD (mm)	Plate THK	Bolt Dia.	BOP	D
HG-6111CW(2-1/2"x35)	2-1/2"	35	5472	144	6.4	12.7	102	215
HG-6111CW(2-1/2"x40)	2-1/2"	40	5472	154	6.4	12.7	152	221
HG-6111CW(2-1/2"x45)	2-1/2"	45	5472	164	6.4	12.7	152	226
HG-6111CW(2-1/2"x50)	2-1/2"	50	5472	174	6.4	12.7	152	232
HG-6111CW(2-1/2"x55)	2-1/2"	55	5472	184	6.4	12.7	152	237
HG-6111CW(2-1/2"x60)	2-1/2"	60	5472	194	6.4	12.7	203	243
HG-6111CW(2-1/2"x65)	2-1/2"	65	5472	204	6.4	12.7	203	248
HG-6111CW(2-1/2"x70)	2-1/2"	70	5472	214	6.4	12.7	203	254
HG-6111CW(3"x5)	3"	5	6339	99	6.4	12.7	102	191
HG-6111CW(3"x10)	3"	10	6339	109	6.4	12.7	102	196
HG-6111CW(3"x15)	3"	15	6339	119	6.4	12.7	102	202
HG-6111CW(3"x20)	3"	20	6339	129	6.4	12.7	102	207
HG-6111CW(3"x25)	3"	25	6339	139	6.4	12.7	102	213
HG-6111CW(3"x30)	3"	30	6339	149	6.4	12.7	102	218
HG-6111CW(3"x35)	3"	35	6339	159	6.4	12.7	102	224
HG-6111CW(3"x40)	3"	40	6339	169	6.4	12.7	152	229
HG-6111CW(3"x45)	3"	45	6339	179	6.4	12.7	152	235
HG-6111CW(3"x50)	3"	50	6339	189	6.4	12.7	152	240
HG-6111CW(3"x55)	3"	55	6339	199	6.4	12.7	152	246
HG-6111CW(3"x60)	3"	60	6339	209	6.4	12.7	203	251
HG-6111CW(3"x65)	3"	65	6339	219	6.4	12.7	203	257
HG-6111CW(3"x70)	3"	70	6339	229	6.4	12.7	203	262
HG-6111CW(4"x5)	4"	5	10009	125	6.4	12.7	102	205
HG-6111CW(4"x10)	4"	10	10009	135	6.4	12.7	102	210
HG-6111CW(4"x15)	4"	15	10009	145	6.4	12.7	102	216
HG-6111CW(4"x20)	4"	20	10009	155	6.4	12.7	102	221
HG-6111CW(4"x30)	4"	30	10009	175	6.4	12.7	102	232
HG-6111CW(4"x40)	4"	40	10009	195	6.4	12.7	102	243
HG-6111CW(4"x50)	4"	50	10009	215	6.4	12.7	102	254
HG-6111CW(4"x60)	4"	60	10009	235	6.4	12.7	152	265
HG-6111CW(4"x70)	4"	70	10009	255	6.4	12.7	152	276
HG-6111CW(4"x80)	4"	80	10009	275	6.4	12.7	152	287
HG-6111CW(4"x90)	4"	90	10009	295	6.4	12.7	152	298
HG-6111CW(4"x100)	4"	100	10009	315	6.4	12.7	203	309
HG-6111CW(5"x5)	5"	5	12544	152	9.5	12.7	102	226
HG-6111CW(5"x10)	5"	10	12544	162	9.5	12.7	102	232
HG-6111CW(5"x15)	5"	15	12544	172	9.5	12.7	102	237
HG-6111CW(5"x20)	5"	20	12544	182	9.5	12.7	102	243
HG-6111CW(5"x30)	5"	30	12544	202	9.5	12.7	102	254
HG-6111CW(5"x40)	5"	40	12544	222	9.5	12.7	102	265
HG-6111CW(5"x50)	5"	50	12544	242	9.5	12.7	102	276
HG-6111CW(5"x60)	5"	60	12544	262	9.5	12.7	152	287
HG-6111CW(5"x70)	5"	70	12544	282	9.5	12.7	152	298
HG-6111CW(5"x80)	5"	80	12544	302	9.5	12.7	152	309
HG-6111CW(5"x90)	5"	90	12544	322	9.5	12.7	152	320
HG-6111CW(5"x100)	5"	100	12544	342	9.5	12.7	203	331
HG-6111CW(6"x5)	6"	5	15213	179	9.5	12.7	102	241
HG-6111CW(6"x10)	6"	10	15213	189	9.5	12.7	102	246
HG-6111CW(6"x15)	6"	15	15213	199	9.5	12.7	102	252
HG-6111CW(6"x20)	6"	20	15213	209	9.5	12.7	102	257
HG-6111CW(6"x30)	6"	30	15213	229	9.5	12.7	102	268
HG-6111CW(6"x40)	6"	40	15213	249	9.5	12.7	102	279
HG-6111CW(6"x50)	6"	50	15213	269	9.5	12.7	102	290
HG-6111CW(6"x60)	6"	60	15213	289	9.5	12.7	152	301





Model & Size	Pipe size	Insulation Thk (mm)	Load (N)	Insul OD (mm)	Plate THK	Bolt Dia.	BOP	D
HG-6111CW(6"x70)	6"	70	15213	309	9.5	12.7	152	312
HG-6111CW(6"x80)	6"	80	15213	329	9.5	12.7	152	323
HG-6111CW(6"x90)	6"	90	15213	349	9.5	12.7	152	334
HG-6111CW(6"x100)	6"	100	15213	369	9.5	12.7	203	345
HG-6111CW(8"x5)	8"	5	20017	230	9.5	12.7	102	320
HG-6111CW(8"x10)	8"	10	20017	240	9.5	12.7	102	325
HG-6111CW(8"x15)	8"	15	20017	250	9.5	12.7	102	331
HG-6111CW(8"x20)	8"	20	20017	260	9.5	12.7	102	336
HG-6111CW(8"x30)	8"	30	20017	280	9.5	12.7	102	347
HG-6111CW(8"x40)	8"	40	20017	300	9.5	12.7	102	358
HG-6111CW(8"x50)	8"	50	20017	320	9.5	12.7	152	369
HG-6111CW(8"x60)	8"	60	20017	340	9.5	12.7	152	380
HG-6111CW(8"x70)	8"	70	20017	360	9.5	12.7	152	391
HG-6111CW(8"x80)	8"	80	20017	380	9.5	12.7	152	402
HG-6111CW(8"x90)	8"	90	20017	400	9.5	12.7	152	413
HG-6111CW(8"x100)	8"	100	20017	420	9.5	12.7	203	424
HG-6111CW(10"x5)	10"	5	24021	284	9.5	12.7	102	349
HG-6111CW(10"x10)	10"	10	24021	294	9.5	12.7	102	355
HG-6111CW(10"x15)	10"	15	24021	304	9.5	12.7	102	360
HG-6111CW(10"x20)	10"	20	24021	314	9.5	12.7	102	366
HG-6111CW(10"x30)	10"	30	24021	334	9.5	12.7	102	377
HG-6111CW(10"x40)	10"	40	24021	354	9.5	12.7	102	388
HG-6111CW(10"x50)	10"	50	24021	374	9.5	12.7	152	399
HG-6111CW(10"x60)	10"	60	24021	394	9.5	12.7	152	410
HG-6111CW(10"x70)	10"	70	24021	414	9.5	12.7	152	421
HG-6111CW(10"x80)	10"	80	24021	434	9.5	12.7	152	432
HG-6111CW(10"x90)	10"	90	24021	454	9.5	12.7	152	443
HG-6111CW(10"x100)	10"	100	24021	474	9.5	12.7	203	454
HG-6111CW(12"x5)	12"	5	26023	334	9.5	15.9	102	377
HG-6111CW(12"x10)	12"	10	26023	344	9.5	15.9	102	383
HG-6111CW(12"x15)	12"	15	26023	354	9.5	15.9	102	388
HG-6111CW(12"x20)	12"	20	26023	364	9.5	15.9	102	394
HG-6111CW(12"x30)	12"	30	26023	384	9.5	15.9	102	405
HG-6111CW(12"x40)	12"	40	26023	404	9.5	15.9	102	416
HG-6111CW(12"x50)	12"	50	26023	424	9.5	15.9	152	427
HG-6111CW(12"x60)	12"	60	26023	444	9.5	15.9	152	438
HG-6111CW(12"x70)	12"	70	26023	464	9.5	15.9	152	449
HG-6111CW(12"x80)	12"	80	26023	484	9.5	15.9	152	460
HG-6111CW(12"x90)	12"	90	26023	504	9.5	15.9	152	471
HG-6111CW(12"x100)	12"	100	26023	524	9.5	15.9	203	482
HG-6111CW(14"x5)	14"	5	30026	366	9.5	15.9	102	395
HG-6111CW(14"x10)	14"	10	30026	376	9.5	15.9	102	400
HG-6111CW(14"x15)	14"	15	30026	386	9.5	15.9	102	406
HG-6111CW(14"x20)	14"	20	30026	396	9.5	15.9	102	411
HG-6111CW(14"x30)	14"	30	30026	416	9.5	15.9	102	422
HG-6111CW(14"x40)	14"	40	30026	436	9.5	15.9	102	433
HG-6111CW(14"x50)	14"	50	30026	456	9.5	15.9	152	444
HG-6111CW(14"x60)	14"	60	30026	476	9.5	15.9	152	455
HG-6111CW(14"x70)	14"	70	30026	496	9.5	15.9	152	466
HG-6111CW(14"x80)	14"	80	30026	516	9.5	15.9	152	477
HG-6111CW(14"x90)	14"	90	30026	536	9.5	15.9	152	488
HG-6111CW(14"x100)	14"	100	30026	556	9.5	15.9	203	499
HG-6111CW(16"x5)	16"	5	34697	417	9.5	15.9	102	423
HG-6111CW(16"x10)	16"	10	34697	427	9.5	15.9	102	428



Model & Size	Pipe size	Insulation Thk (mm)	Load (N)	Insul OD (mm)	Plate THK	Bolt Dia.	BOP	D
HG-6111CW(16"x15)	16"	15	34697	437	9.5	15.9	102	434
HG-6111CW(16"x20)	16"	20	34697	447	9.5	15.9	102	439
HG-6111CW(16"x30)	16"	30	34697	467	9.5	15.9	102	450
HG-6111CW(16"x40)	16"	40	34697	487	9.5	15.9	152	461
HG-6111CW(16"x50)	16"	50	34697	507	9.5	15.9	152	472
HG-6111CW(16"x60)	16"	60	34697	527	9.5	15.9	152	483
HG-6111CW(16"x70)	16"	70	34697	547	9.5	15.9	152	494
HG-6111CW(16"x80)	16"	80	34697	567	9.5	15.9	203	505
HG-6111CW(16"x90)	16"	90	34697	587	9.5	15.9	203	516
HG-6111CW(16"x100)	16"	100	34697	607	9.5	15.9	203	527
HG-6111CW(18"x5)	18"	5	38033	468	9.5	15.9	102	451
HG-6111CW(18"x10)	18"	10	38033	478	9.5	15.9	102	456
HG-6111CW(18"x15)	18"	15	38033	488	9.5	15.9	102	462
HG-6111CW(18"x20)	18"	20	38033	498	9.5	15.9	102	467
HG-6111CW(18"x30)	18"	30	38033	518	9.5	15.9	102	478
HG-6111CW(18"x40)	18"	40	38033	538	9.5	15.9	152	489
HG-6111CW(18"x50)	18"	50	38033	558	9.5	15.9	152	500
HG-6111CW(18"x60)	18"	60	38033	578	9.5	15.9	152	511
HG-6111CW(18"x70)	18"	70	38033	598	9.5	15.9	152	522
HG-6111CW(18"x80)	18"	80	38033	618	9.5	15.9	203	533
HG-6111CW(18"x90)	18"	90	38033	638	9.5	15.9	203	544
HG-6111CW(18"x100)	18"	100	38033	658	9.5	15.9	203	555
HG-6111CW(20"x5)	20"	5	40702	518	9.5	15.9	102	479
HG-6111CW(20"x10)	20"	10	40702	528	9.5	15.9	102	484
HG-6111CW(20"x15)	20"	15	40702	538	9.5	15.9	102	490
HG-6111CW(20"x20)	20"	20	40702	548	9.5	15.9	102	495
HG-6111CW(20"x30)	20"	30	40702	568	9.5	15.9	102	506
HG-6111CW(20"x40)	20"	40	40702	588	9.5	15.9	152	517
HG-6111CW(20"x50)	20"	50	40702	608	9.5	15.9	152	528
HG-6111CW(20"x60)	20"	60	40702	628	9.5	15.9	152	539
HG-6111CW(20"x70)	20"	70	40702	648	9.5	15.9	152	550
HG-6111CW(20"x80)	20"	80	40702	668	9.5	15.9	203	561
HG-6111CW(20"x90)	20"	90	40702	688	9.5	15.9	203	572
HG-6111CW(20"x100)	20"	100	40702	708	9.5	15.9	203	583
HG-6111CW(24"x5)	24"	5	42703	620	9.5	19.1	102	585
HG-6111CW(24"x10)	24"	10	42703	630	9.5	19.1	102	591
HG-6111CW(24"x15)	24"	15	42703	640	9.5	19.1	102	596
HG-6111CW(24"x20)	24"	20	42703	650	9.5	19.1	102	602
HG-6111CW(24"x30)	24"	30	42703	670	9.5	19.1	102	613
HG-6111CW(24"x40)	24"	40	42703	690	9.5	19.1	152	624
HG-6111CW(24"x50)	24"	50	42703	710	9.5	19.1	152	635
HG-6111CW(24"x60)	24"	60	42703	730	9.5	19.1	152	646
HG-6111CW(24"x70)	24"	70	42703	750	9.5	19.1	152	657
HG-6111CW(24"x80)	24"	80	42703	770	9.5	19.1	203	668
HG-6111CW(24"x90)	24"	90	42703	790	9.5	19.1	203	679
HG-6111CW(24"x100)	24"	100	42703	810	9.5	19.1	203	690
HG-6111CW(30"x5)	30"	5	56048	772	12.7	19.1	102	675
HG-6111CW(30"x10)	30"	10	56048	782	12.7	19.1	102	681
HG-6111CW(30"x15)	30"	15	56048	792	12.7	19.1	102	686
HG-6111CW(30"x20)	30"	20	56048	802	12.7	19.1	102	692
HG-6111CW(30"x30)	30"	30	56048	822	12.7	19.1	152	703
HG-6111CW(30"x40)	30"	40	56048	842	12.7	19.1	152	714
HG-6111CW(30"x50)	30"	50	56048	862	12.7	19.1	152	725
HG-6111CW(30"x60)	30"	60	56048	882	12.7	19.1	152	736



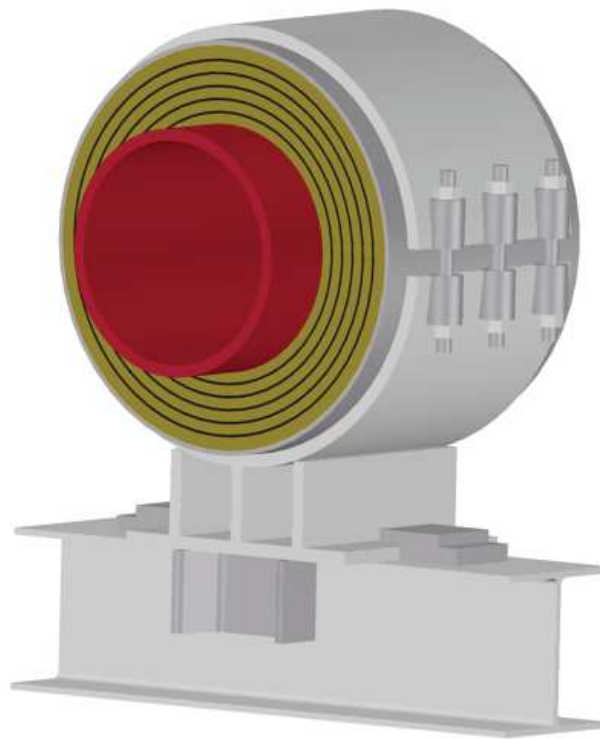
Model & Size	Pipe size	Insulation Thk (mm)	Load (N)	Insul OD (mm)	Plate THK	Bolt Dia.	BOP	D
HG-6111CW(30"x70)	30"	70	56048	902	12.7	19.1	152	747
HG-6111CW(30"x80)	30"	80	56048	922	12.7	19.1	203	758
HG-6111CW(30"x90)	30"	90	56048	942	12.7	19.1	203	769
HG-6111CW(30"x100)	30"	100	56048	962	12.7	19.1	203	780
HG-6111CW(36"x5)	36"	5	65389	925	12.7	19.1	102	759
HG-6111CW(36"x10)	36"	10	65389	935	12.7	19.1	102	765
HG-6111CW(36"x15)	36"	15	65389	945	12.7	19.1	102	770
HG-6111CW(36"x20)	36"	20	65389	955	12.7	19.1	102	776
HG-6111CW(36"x30)	36"	30	65389	975	12.7	19.1	152	787
HG-6111CW(36"x40)	36"	40	65389	995	12.7	19.1	152	798
HG-6111CW(36"x50)	36"	50	65389	1015	12.7	19.1	152	809
HG-6111CW(36"x60)	36"	60	65389	1035	12.7	19.1	152	820
HG-6111CW(36"x70)	36"	70	65389	1055	12.7	19.1	152	831
HG-6111CW(36"x80)	36"	80	65389	1075	12.7	19.1	203	842
HG-6111CW(36"x90)	36"	90	65389	1095	12.7	19.1	203	853
HG-6111CW(36"x100)	36"	100	65389	1115	12.7	19.1	203	864
HG-6111CW(42"x5)	42"	5	74063	1077	12.7	19.1	102	843
HG-6111CW(42"x10)	42"	10	74063	1087	12.7	19.1	102	849
HG-6111CW(42"x15)	42"	15	74063	1097	12.7	19.1	102	854
HG-6111CW(42"x20)	42"	20	74063	1107	12.7	19.1	102	860
HG-6111CW(42"x30)	42"	30	74063	1127	12.7	19.1	152	871
HG-6111CW(42"x40)	42"	40	74063	1147	12.7	19.1	152	882
HG-6111CW(42"x50)	42"	50	74063	1167	12.7	19.1	152	893
HG-6111CW(42"x60)	42"	60	74063	1187	12.7	19.1	152	904
HG-6111CW(42"x70)	42"	70	74063	1207	12.7	19.1	152	915
HG-6111CW(42"x80)	42"	80	74063	1227	12.7	19.1	203	926
HG-6111CW(42"x90)	42"	90	74063	1247	12.7	19.1	203	937
HG-6111CW(42"x100)	42"	100	74063	1267	12.7	19.1	203	948



# PyroWrap<sup>™</sup>

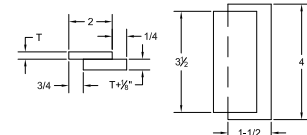
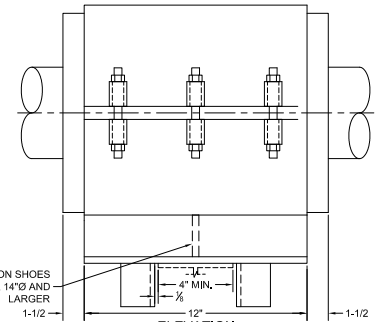
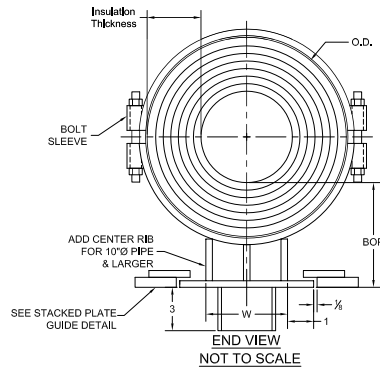
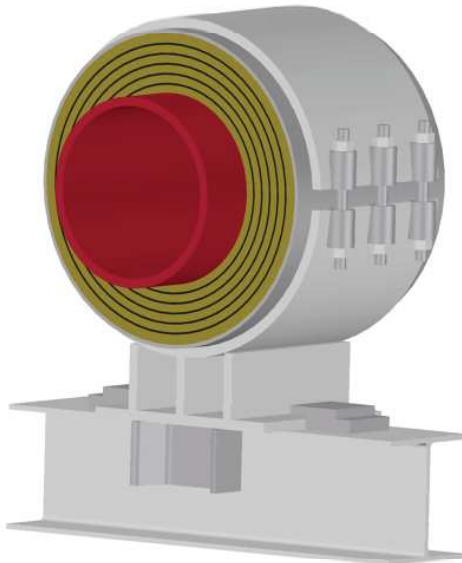
## Hot Anchor

### Engineering Data



PyroWrap<sup>™</sup> Anchors  
(Metric)





\* W = .55 x O.D.

STACKED PLATE GUIDE DETAIL

Model & Size	Pipe size	Insulation Thk (mm)	Vertical Load (N)	Axial Load (N)	Insul OD (mm)	Plate THK (T)	Bolt Dia.	BOP
HA-6111CW(1/2"x5)	1/2"	5	1780	2669	32	4.8	9.5	102
HA-6111CW(1/2"x10)	1/2"	10	1780	2669	42	4.8	9.5	102
HA-6111CW(1/2"x15)	1/2"	15	1780	2669	52	4.8	9.5	102
HA-6111CW(1/2"x20)	1/2"	20	1780	2669	62	4.8	9.5	102
HA-6111CW(1/2"x25)	1/2"	25	1780	2669	72	4.8	9.5	102
HA-6111CW(1/2"x30)	1/2"	30	1780	2669	82	4.8	9.5	102
HA-6111CW(1/2"x35)	1/2"	35	1780	2669	92	4.8	9.5	102
HA-6111CW(1/2"x40)	1/2"	40	1780	2669	102	4.8	9.5	152
HA-6111CW(1/2"x45)	1/2"	45	1780	2669	112	4.8	9.5	152
HA-6111CW(1/2"x50)	1/2"	50	1780	2669	122	4.8	9.5	152
HA-6111CW(1/2"x55)	1/2"	55	1780	2669	132	4.8	9.5	152
HA-6111CW(1/2"x60)	1/2"	60	1780	2669	142	4.8	9.5	203
HA-6111CW(1/2"x65)	1/2"	65	1780	2669	152	4.8	9.5	203
HA-6111CW(1/2"x70)	1/2"	70	1780	2669	162	4.8	9.5	203
HA-6111CW(3/4"x5)	3/4"	5	2225	3337	37	4.8	9.5	102
HA-6111CW(3/4"x10)	3/4"	10	2225	3337	47	4.8	9.5	102
HA-6111CW(3/4"x15)	3/4"	15	2225	3337	57	4.8	9.5	102
HA-6111CW(3/4"x20)	3/4"	20	2225	3337	67	4.8	9.5	102
HA-6111CW(3/4"x25)	3/4"	25	2225	3337	77	4.8	9.5	102
HA-6111CW(3/4"x30)	3/4"	30	2225	3337	87	4.8	9.5	102
HA-6111CW(3/4"x35)	3/4"	35	2225	3337	97	4.8	9.5	102
HA-6111CW(3/4"x40)	3/4"	40	2225	3337	107	4.8	9.5	152

(Continued on following pages)

**Applications and Features**

- Resist axial, vertical and/or lateral pipe loads.
- Support supplied with guide angles and axial stops.
- Accommodates lateral loads up to 20% of actual vertical load.
- Temperature Range -40° F to 1200° F.
- Higher Temperature Applications Available.

- A-36 steel construction.
- See technical Specification RHS-850
- Test results available upon request.
- Steel finish available in Galvanized or painted finishes.
- Support constructed in accordance with ASME B31.1, B31.3 and MSS-SP58.
- A307 or B7 plated bolts/studs.
- For special applications, or for information on other Insulation and Pipe sizes, contact Factory
- Utilizes RILCO proprietary low profile ears.



Model & Size	Pipe size	Insulation Thk (mm)	Vertical Load (N)	Axial Load (N)	Insul OD (mm)	Plate THK (T)	Bolt Dia.	BOP
HA-6111CW(3/4"x45)	3/4"	45	2225	3337	117	4.8	9.5	152
HA-6111CW(3/4"x50)	3/4"	50	2225	3337	127	4.8	9.5	152
HA-6111CW(3/4"x55)	3/4"	55	2225	3337	137	4.8	9.5	152
HA-6111CW(3/4"x60)	3/4"	60	2225	3337	147	4.8	9.5	203
HA-6111CW(3/4"x65)	3/4"	65	2225	3337	157	4.8	9.5	203
HA-6111CW(3/4"x70)	3/4"	70	2225	3337	167	4.8	9.5	203
HA-6111CW(1"x5)	1"	5	2892	4004	44	6.4	9.5	102
HA-6111CW(1"x10)	1"	10	2892	4004	54	6.4	9.5	102
HA-6111CW(1"x15)	1"	15	2892	4004	64	6.4	9.5	102
HA-6111CW(1"x20)	1"	20	2892	4004	74	6.4	9.5	102
HA-6111CW(1"x25)	1"	25	2892	4004	84	6.4	9.5	102
HA-6111CW(1"x30)	1"	30	2892	4004	94	6.4	9.5	102
HA-6111CW(1"x35)	1"	35	2892	4004	104	6.4	9.5	102
HA-6111CW(1"x40)	1"	40	2892	4004	114	6.4	9.5	152
HA-6111CW(1"x45)	1"	45	2892	4004	124	6.4	9.5	152
HA-6111CW(1"x50)	1"	50	2892	4004	134	6.4	9.5	152
HA-6111CW(1"x55)	1"	55	2892	4004	144	6.4	9.5	152
HA-6111CW(1"x60)	1"	60	2892	4004	154	6.4	9.5	203
HA-6111CW(1"x65)	1"	65	2892	4004	164	6.4	9.5	203
HA-6111CW(1"x70)	1"	70	2892	4004	174	6.4	9.5	203
HA-6111CW(1-1/2"x5)	1-1/2"	5	4226	5739	59	6.4	9.5	102
HA-6111CW(1-1/2"x10)	1-1/2"	10	4226	5739	69	6.4	9.5	102
HA-6111CW(1-1/2"x15)	1-1/2"	15	4226	5739	79	6.4	9.5	102
HA-6111CW(1-1/2"x20)	1-1/2"	20	4226	5739	89	6.4	9.5	102
HA-6111CW(1-1/2"x25)	1-1/2"	25	4226	5739	99	6.4	9.5	102
HA-6111CW(1-1/2"x30)	1-1/2"	30	4226	5739	109	6.4	9.5	102
HA-6111CW(1-1/2"x35)	1-1/2"	35	4226	5739	119	6.4	9.5	102
HA-6111CW(1-1/2"x40)	1-1/2"	40	4226	5739	129	6.4	9.5	152
HA-6111CW(1-1/2"x45)	1-1/2"	45	4226	5739	139	6.4	9.5	152
HA-6111CW(1-1/2"x50)	1-1/2"	50	4226	5739	149	6.4	9.5	152
HA-6111CW(1-1/2"x55)	1-1/2"	55	4226	5739	159	6.4	9.5	152
HA-6111CW(1-1/2"x60)	1-1/2"	60	4226	5739	169	6.4	9.5	203
HA-6111CW(1-1/2"x65)	1-1/2"	65	4226	5739	179	6.4	9.5	203
HA-6111CW(1-1/2"x70)	1-1/2"	70	4226	5739	189	6.4	9.5	203
HA-6111CW(2"x5)	2"	5	4894	7207	71	6.4	9.5	102
HA-6111CW(2"x10)	2"	10	4894	7207	81	6.4	9.5	102
HA-6111CW(2"x15)	2"	15	4894	7207	91	6.4	9.5	102
HA-6111CW(2"x20)	2"	20	4894	7207	101	6.4	9.5	102
HA-6111CW(2"x25)	2"	25	4894	7207	111	6.4	9.5	102
HA-6111CW(2"x30)	2"	30	4894	7207	121	6.4	9.5	102
HA-6111CW(2"x35)	2"	35	4894	7207	131	6.4	9.5	102
HA-6111CW(2"x40)	2"	40	4894	7207	141	6.4	9.5	152
HA-6111CW(2"x45)	2"	45	4894	7207	151	6.4	9.5	152
HA-6111CW(2"x50)	2"	50	4894	7207	161	6.4	9.5	152
HA-6111CW(2"x55)	2"	55	4894	7207	171	6.4	9.5	152
HA-6111CW(2"x60)	2"	60	4894	7207	181	6.4	9.5	203
HA-6111CW(2"x65)	2"	65	4894	7207	191	6.4	9.5	203
HA-6111CW(2"x70)	2"	70	4894	7207	201	6.4	9.5	203
HA-6111CW(2-1/2"x5)	2-1/2"	5	6006	8719	84	6.4	12.7	102
HA-6111CW(2-1/2"x10)	2-1/2"	10	6006	8719	94	6.4	12.7	102
HA-6111CW(2-1/2"x15)	2-1/2"	15	6006	8719	104	6.4	12.7	102
HA-6111CW(2-1/2"x20)	2-1/2"	20	6006	8719	114	6.4	12.7	102
HA-6111CW(2-1/2"x25)	2-1/2"	25	6006	8719	124	6.4	12.7	102
HA-6111CW(2-1/2"x30)	2-1/2"	30	6006	8719	134	6.4	12.7	102



Model & Size	Pipe size	Insulation Thk (mm)	Vertical Load (N)	Axial Load (N)	Insul OD (mm)	Plate THK (T)	Bolt Dia.	BOP
HA-6111CW(2-1/2"x35)	2-1/2"	35	6006	8719	144	6.4	12.7	102
HA-6111CW(2-1/2"x40)	2-1/2"	40	6006	8719	154	6.4	12.7	152
HA-6111CW(2-1/2"x45)	2-1/2"	45	6006	8719	164	6.4	12.7	152
HA-6111CW(2-1/2"x50)	2-1/2"	50	6006	8719	174	6.4	12.7	152
HA-6111CW(2-1/2"x55)	2-1/2"	55	6006	8719	184	6.4	12.7	152
HA-6111CW(2-1/2"x60)	2-1/2"	60	6006	8719	194	6.4	12.7	203
HA-6111CW(2-1/2"x65)	2-1/2"	65	6006	8719	204	6.4	12.7	203
HA-6111CW(2-1/2"x70)	2-1/2"	70	6006	8719	214	6.4	12.7	203
HA-6111CW(3"x5)	3"	5	7118	15347	99	9.5	12.7	102
HA-6111CW(3"x10)	3"	10	7118	15347	109	9.5	12.7	102
HA-6111CW(3"x15)	3"	15	7118	15347	119	9.5	12.7	102
HA-6111CW(3"x20)	3"	20	7118	15347	129	9.5	12.7	102
HA-6111CW(3"x25)	3"	25	7118	15347	139	9.5	12.7	102
HA-6111CW(3"x30)	3"	30	7118	15347	149	9.5	12.7	102
HA-6111CW(3"x35)	3"	35	7118	15347	159	9.5	12.7	102
HA-6111CW(3"x40)	3"	40	7118	15347	169	9.5	12.7	152
HA-6111CW(3"x45)	3"	45	7118	15347	179	9.5	12.7	152
HA-6111CW(3"x50)	3"	50	7118	15347	189	9.5	12.7	152
HA-6111CW(3"x55)	3"	55	7118	15347	199	9.5	12.7	152
HA-6111CW(3"x60)	3"	60	7118	15347	209	9.5	12.7	203
HA-6111CW(3"x65)	3"	65	7118	15347	219	9.5	12.7	203
HA-6111CW(3"x70)	3"	70	7118	15347	229	9.5	12.7	203
HA-6111CW(4"x5)	4"	5	11121	18238	125	9.5	12.7	102
HA-6111CW(4"x10)	4"	10	11121	18238	135	9.5	12.7	102
HA-6111CW(4"x15)	4"	15	11121	18238	145	9.5	12.7	102
HA-6111CW(4"x20)	4"	20	11121	18238	155	9.5	12.7	102
HA-6111CW(4"x30)	4"	30	11121	18238	175	9.5	12.7	102
HA-6111CW(4"x40)	4"	40	11121	18238	195	9.5	12.7	102
HA-6111CW(4"x50)	4"	50	11121	18238	215	9.5	12.7	102
HA-6111CW(4"x60)	4"	60	11121	18238	235	9.5	12.7	152
HA-6111CW(4"x70)	4"	70	11121	18238	255	9.5	12.7	152
HA-6111CW(4"x80)	4"	80	11121	18238	275	9.5	12.7	152
HA-6111CW(4"x90)	4"	90	11121	18238	295	9.5	12.7	152
HA-6111CW(4"x100)	4"	100	11121	18238	315	9.5	12.7	152
HA-6111CW(5"x5)	5"	5	13790	21130	152	9.5	12.7	102
HA-6111CW(5"x10)	5"	10	13790	21130	162	9.5	12.7	102
HA-6111CW(5"x15)	5"	15	13790	21130	172	9.5	12.7	102
HA-6111CW(5"x20)	5"	20	13790	21130	182	9.5	12.7	102
HA-6111CW(5"x30)	5"	30	13790	21130	202	9.5	12.7	102
HA-6111CW(5"x40)	5"	40	13790	21130	222	9.5	12.7	102
HA-6111CW(5"x50)	5"	50	13790	21130	242	9.5	12.7	102
HA-6111CW(5"x60)	5"	60	13790	21130	262	9.5	12.7	152
HA-6111CW(5"x70)	5"	70	13790	21130	282	9.5	12.7	152
HA-6111CW(5"x80)	5"	80	13790	21130	302	9.5	12.7	152
HA-6111CW(5"x90)	5"	90	13790	21130	322	9.5	12.7	152
HA-6111CW(5"x100)	5"	100	13790	21130	342	9.5	12.7	152
HA-6111CW(6"x5)	6"	5	16904	24021	179	9.5	12.7	102
HA-6111CW(6"x10)	6"	10	16904	24021	189	9.5	12.7	102
HA-6111CW(6"x15)	6"	15	16904	24021	199	9.5	12.7	102
HA-6111CW(6"x20)	6"	20	16904	24021	209	9.5	12.7	102
HA-6111CW(6"x30)	6"	30	16904	24021	229	9.5	12.7	102
HA-6111CW(6"x40)	6"	40	16904	24021	249	9.5	12.7	102
HA-6111CW(6"x50)	6"	50	16904	24021	269	9.5	12.7	102
HA-6111CW(6"x60)	6"	60	16904	24021	289	9.5	12.7	152



Model & Size	Pipe size	Insulation Thk (mm)	Vertical Load (N)	Axial Load (N)	Insul OD (mm)	Plate THK (T)	Bolt Dia.	BOP
HA-6111CW(6"x70)	6"	70	16904	24021	309	9.5	12.7	152
HA-6111CW(6"x80)	6"	80	16904	24021	329	9.5	12.7	152
HA-6111CW(6"x90)	6"	90	16904	24021	349	9.5	12.7	152
HA-6111CW(6"x100)	6"	100	16904	24021	369	9.5	12.7	152
HA-6111CW(8"x5)	8"	5	22686	29692	230	9.5	12.7	102
HA-6111CW(8"x10)	8"	10	22686	29692	240	9.5	12.7	102
HA-6111CW(8"x15)	8"	15	22686	29692	250	9.5	12.7	102
HA-6111CW(8"x20)	8"	20	22686	29692	260	9.5	12.7	102
HA-6111CW(8"x30)	8"	30	22686	29692	280	9.5	12.7	102
HA-6111CW(8"x40)	8"	40	22686	29692	300	9.5	12.7	102
HA-6111CW(8"x50)	8"	50	22686	29692	320	9.5	12.7	152
HA-6111CW(8"x60)	8"	60	22686	29692	340	9.5	12.7	152
HA-6111CW(8"x70)	8"	70	22686	29692	360	9.5	12.7	152
HA-6111CW(8"x80)	8"	80	22686	29692	380	9.5	12.7	152
HA-6111CW(8"x90)	8"	90	22686	29692	400	9.5	12.7	152
HA-6111CW(8"x100)	8"	100	22686	29692	420	9.5	12.7	152
HA-6111CW(10"x5)	10"	5	26690	35586	284	9.5	12.7	102
HA-6111CW(10"x10)	10"	10	26690	35586	294	9.5	12.7	102
HA-6111CW(10"x15)	10"	15	26690	35586	304	9.5	12.7	102
HA-6111CW(10"x20)	10"	20	26690	35586	314	9.5	12.7	102
HA-6111CW(10"x30)	10"	30	26690	35586	334	9.5	12.7	102
HA-6111CW(10"x40)	10"	40	26690	35586	354	9.5	12.7	102
HA-6111CW(10"x50)	10"	50	26690	35586	374	9.5	12.7	152
HA-6111CW(10"x60)	10"	60	26690	35586	394	9.5	12.7	152
HA-6111CW(10"x70)	10"	70	26690	35586	414	9.5	12.7	152
HA-6111CW(10"x80)	10"	80	26690	35586	434	9.5	12.7	152
HA-6111CW(10"x90)	10"	90	26690	35586	454	9.5	12.7	152
HA-6111CW(10"x100)	10"	100	26690	35586	474	9.5	12.7	152
HA-6111CW(12"x5)	12"	5	29359	41369	334	9.5	15.9	102
HA-6111CW(12"x10)	12"	10	29359	41369	344	9.5	15.9	102
HA-6111CW(12"x15)	12"	15	29359	41369	354	9.5	15.9	102
HA-6111CW(12"x20)	12"	20	29359	41369	364	9.5	15.9	102
HA-6111CW(12"x30)	12"	30	29359	41369	384	9.5	15.9	102
HA-6111CW(12"x40)	12"	40	29359	41369	404	9.5	15.9	102
HA-6111CW(12"x50)	12"	50	29359	41369	424	9.5	15.9	152
HA-6111CW(12"x60)	12"	60	29359	41369	444	9.5	15.9	152
HA-6111CW(12"x70)	12"	70	29359	41369	464	9.5	15.9	152
HA-6111CW(12"x80)	12"	80	29359	41369	484	9.5	15.9	152
HA-6111CW(12"x90)	12"	90	29359	41369	504	9.5	15.9	152
HA-6111CW(12"x100)	12"	100	29359	41369	524	9.5	15.9	152
HA-6111CW(14"x5)	14"	5	33362	44483	366	9.5	15.9	102
HA-6111CW(14"x10)	14"	10	33362	44483	376	9.5	15.9	102
HA-6111CW(14"x15)	14"	15	33362	44483	386	9.5	15.9	102
HA-6111CW(14"x20)	14"	20	33362	44483	396	9.5	15.9	102
HA-6111CW(14"x30)	14"	30	33362	44483	416	9.5	15.9	102
HA-6111CW(14"x40)	14"	40	33362	44483	436	9.5	15.9	102
HA-6111CW(14"x50)	14"	50	33362	44483	456	9.5	15.9	152
HA-6111CW(14"x60)	14"	60	33362	44483	476	9.5	15.9	152
HA-6111CW(14"x70)	14"	70	33362	44483	496	9.5	15.9	152
HA-6111CW(14"x80)	14"	80	33362	44483	516	9.5	15.9	152
HA-6111CW(14"x90)	14"	90	33362	44483	536	9.5	15.9	152
HA-6111CW(14"x100)	14"	100	33362	44483	556	9.5	15.9	152
HA-6111CW(16"x5)	16"	5	38700	50265	417	12.7	15.9	102
HA-6111CW(16"x10)	16"	10	38700	50265	427	12.7	15.9	102





Model & Size	Pipe size	Insulation Thk (mm)	Vertical Load (N)	Axial Load (N)	Insul OD (mm)	Plate THK (T)	Bolt Dia.	BOP
HA-6111CW(16"x15)	16"	15	2225	50265	437	12.7	15.9	102
HA-6111CW(16"x20)	16"	20	38700	50265	447	12.7	15.9	102
HA-6111CW(16"x30)	16"	30	38700	50265	467	12.7	15.9	102
HA-6111CW(16"x40)	16"	40	38700	50265	487	12.7	15.9	152
HA-6111CW(16"x50)	16"	50	38700	50265	507	12.7	15.9	152
HA-6111CW(16"x60)	16"	60	38700	50265	527	12.7	15.9	152
HA-6111CW(16"x70)	16"	70	38700	50265	547	12.7	15.9	152
HA-6111CW(16"x80)	16"	80	38700	50265	567	12.7	15.9	203
HA-6111CW(16"x90)	16"	90	38700	50265	587	12.7	15.9	203
HA-6111CW(16"x100)	16"	100	38700	50265	607	12.7	15.9	203
HA-6111CW(18"x5)	18"	5	42703	55603	468	12.7	15.9	102
HA-6111CW(18"x10)	18"	10	42703	55603	478	12.7	15.9	102
HA-6111CW(18"x15)	18"	15	42703	55603	488	12.7	15.9	102
HA-6111CW(18"x20)	18"	20	42703	55603	498	12.7	15.9	102
HA-6111CW(18"x30)	18"	30	42703	55603	518	12.7	15.9	102
HA-6111CW(18"x40)	18"	40	42703	55603	538	12.7	15.9	152
HA-6111CW(18"x50)	18"	50	42703	55603	558	12.7	15.9	152
HA-6111CW(18"x60)	18"	60	42703	55603	578	12.7	15.9	152
HA-6111CW(18"x70)	18"	70	42703	55603	598	12.7	15.9	152
HA-6111CW(18"x80)	18"	80	42703	55603	618	12.7	15.9	203
HA-6111CW(18"x90)	18"	90	42703	55603	638	12.7	15.9	203
HA-6111CW(18"x100)	18"	100	42703	55603	658	12.7	15.9	203
HA-6111CW(20"x5)	20"	5	45372	61386	518	12.7	15.9	102
HA-6111CW(20"x10)	20"	10	45372	61386	528	12.7	15.9	102
HA-6111CW(20"x15)	20"	15	45372	61386	538	12.7	15.9	102
HA-6111CW(20"x20)	20"	20	45372	61386	548	12.7	15.9	102
HA-6111CW(20"x30)	20"	30	45372	61386	568	12.7	15.9	102
HA-6111CW(20"x40)	20"	40	45372	61386	588	12.7	15.9	152
HA-6111CW(20"x50)	20"	50	45372	61386	608	12.7	15.9	152
HA-6111CW(20"x60)	20"	60	45372	61386	628	12.7	15.9	152
HA-6111CW(20"x70)	20"	70	45372	61386	648	12.7	15.9	152
HA-6111CW(20"x80)	20"	80	45372	61386	668	12.7	15.9	203
HA-6111CW(20"x90)	20"	90	45372	61386	688	12.7	15.9	203
HA-6111CW(20"x100)	20"	100	45372	61386	708	12.7	15.9	203
HA-6111CW(24"x5)	24"	5	48041	72507	620	12.7	19.1	102
HA-6111CW(24"x10)	24"	10	48041	72507	630	12.7	19.1	102
HA-6111CW(24"x15)	24"	15	48041	72507	640	12.7	19.1	102
HA-6111CW(24"x20)	24"	20	48041	72507	650	12.7	19.1	102
HA-6111CW(24"x30)	24"	30	48041	72507	670	12.7	19.1	102
HA-6111CW(24"x40)	24"	40	48041	72507	690	12.7	19.1	152
HA-6111CW(24"x50)	24"	50	48041	72507	710	12.7	19.1	152
HA-6111CW(24"x60)	24"	60	48041	72507	730	12.7	19.1	152
HA-6111CW(24"x70)	24"	70	48041	72507	750	12.7	19.1	152
HA-6111CW(24"x80)	24"	80	48041	72507	770	12.7	19.1	203
HA-6111CW(24"x90)	24"	90	48041	72507	790	12.7	19.1	203
HA-6111CW(24"x100)	24"	100	48041	72507	810	12.7	19.1	203
HA-6111CW(30"x5)	30"	5	62720	89410	772	12.7	19.1	102
HA-6111CW(30"x10)	30"	10	62720	89410	782	12.7	19.1	102
HA-6111CW(30"x15)	30"	15	62720	89410	792	12.7	19.1	102
HA-6111CW(30"x20)	30"	20	62720	89410	802	12.7	19.1	102
HA-6111CW(30"x30)	30"	30	62720	89410	822	12.7	19.1	152
HA-6111CW(30"x40)	30"	40	62720	89410	842	12.7	19.1	152
HA-6111CW(30"x50)	30"	50	62720	89410	862	12.7	19.1	152
HA-6111CW(30"x60)	30"	60	62720	89410	882	12.7	19.1	152





Model & Size	Pipe size	Insulation Thk (mm)	Vertical Load (N)	Axial Load (N)	Insul OD (mm)	Plate THK (T)	Bolt Dia.	BOP
HA-6111CW(30"x70)	30"	70	62720	89410	902	12.7	19.1	152
HA-6111CW(30"x80)	30"	80	62720	89410	922	12.7	19.1	203
HA-6111CW(30"x90)	30"	90	62720	89410	942	12.7	19.1	203
HA-6111CW(30"x100)	30"	100	62720	89410	962	12.7	19.1	203
HA-6111CW(36"x5)	36"	5	73396	106313	925	12.7	19.1	102
HA-6111CW(36"x10)	36"	10	73396	106313	935	12.7	19.1	102
HA-6111CW(36"x15)	36"	15	73396	106313	945	12.7	19.1	102
HA-6111CW(36"x20)	36"	20	73396	106313	955	12.7	19.1	102
HA-6111CW(36"x30)	36"	30	73396	106313	975	12.7	19.1	152
HA-6111CW(36"x40)	36"	40	73396	106313	995	12.7	19.1	152
HA-6111CW(36"x50)	36"	50	73396	106313	1015	12.7	19.1	152
HA-6111CW(36"x60)	36"	60	73396	106313	1035	12.7	19.1	152
HA-6111CW(36"x70)	36"	70	73396	106313	1055	12.7	19.1	152
HA-6111CW(36"x80)	36"	80	73396	106313	1075	12.7	19.1	203
HA-6111CW(36"x90)	36"	90	73396	106313	1095	12.7	19.1	203
HA-6111CW(36"x100)	36"	100	73396	106313	1115	12.7	19.1	203
HA-6111CW(42"x5)	42"	5	82737	106313	1077	12.7	19.1	102
HA-6111CW(42"x10)	42"	10	82737	106313	1087	12.7	19.1	102
HA-6111CW(42"x15)	42"	15	83737	106313	1097	12.7	19.1	102
HA-6111CW(42"x20)	42"	20	82737	106313	1107	12.7	19.1	102
HA-6111CW(42"x30)	42"	30	82737	106313	1127	12.7	19.1	152
HA-6111CW(42"x40)	42"	40	82737	106313	1147	12.7	19.1	152
HA-6111CW(42"x50)	42"	50	82737	106313	1167	12.7	19.1	152
HA-6111CW(42"x60)	42"	60	82737	106313	1187	12.7	19.1	152
HA-6111CW(42"x70)	42"	70	82737	106313	1207	12.7	19.1	152
HA-6111CW(42"x80)	42"	80	82737	106313	1227	12.7	19.1	203
HA-6111CW(42"x90)	42"	90	82737	106313	1247	12.7	19.1	203
HA-6111CW(42"x100)	42"	100	82737	106313	1267	12.7	19.1	203



# STANDARD TERMS AND CONDITIONS

## Terms and Conditions: followed by Special Terms & Conditions.

1) **CONTROLLING PROVISIONS.** This document (both pages) entitled "Standard Terms and Conditions" and the attached pricing proposal (which is incorporated herein for all purposes) are collectively referred to herein as the "Proposal." This Proposal, when submitted by the corporation identified as "Seller" on the attached pricing proposal or its authorized representatives (collectively, "Seller") and accepted by the person or entity identified as "Buyer" on the attached pricing proposal or his or its authorized representatives (collectively, "Buyer"), whether such acceptance is oral or in writing, by submission of a purchase order or purchase order number, by acceptance of a product, by commencement of performance hereunder, or by any other means, shall constitute the entire agreement between Buyer and Seller concerning its subject matter, and supersedes all prior agreements and understandings related thereto. Buyer's acceptance of this Proposal is expressly limited to the terms contained herein and no waiver, alteration, modification, amendment, or supplementation of, or conflict with, any provision in this Proposal, whether on Buyer's purchase order, by custom or practice, or otherwise, shall be valid unless such waiver, alteration, modification, amendment, supplementation, or conflict i) is specifically accepted in writing by Seller and signed by an authorized representative of Seller, and ii) specifically states in an obvious and conspicuous manner that it alters, amends, modifies, or supplements (as the case may be) this Proposal. This Proposal shall be governed by the laws of the State of Texas, excluding choice of law rules.

2) **DELIVERY.** Seller shall make a good faith effort to complete delivery of the products described on the attached pricing proposal, but Seller assumes no responsibility or liability, and will accept no back-charge or reduction in price, for loss or damage due to delay or inability to deliver caused by acts of God, war, labor difficulties, accident, delays of carriers, contractors or suppliers, inability to obtain materials, shortages of fuel and energy, or any other causes of any kind whatsoever beyond the control of Seller. Seller may terminate any agreement for sale of its products and/or services without liability of any nature to Seller by written notice to Buyer, if the delay in delivery or performances resulting from any of the aforesaid causes shall continue for a period of sixty (60) days or more. Under no circumstances shall Seller be liable for any special, consequential, incidental, or punitive damages or for loss, damage, or expense (whether based on negligence or any other form of liability) directly or indirectly arising from any delay or failure to give either notice of delay or notice of termination of an agreement or order. Under no circumstances shall Buyer be entitled to specific performance.

3) **WARRANTY.** Seller warrants, for one year from the date of shipment of any product manufactured by Seller, that Seller shall replace, correct, or, at its election, refund the net sales price of such manufactured product; provided Seller concludes, after its examination, that such manufactured product contains defects in materials or workmanship, does not conform to the specifications, drawings, or other descriptions supplied by Buyer, and cannot be used for the purpose and in the manner which Seller recommends. EXCEPT AS EXPRESSLY SET FORTH IN THIS PARAGRAPH, ALL PRODUCTS AND/OR SERVICES PROVIDED BY SELLER AND ITS EMPLOYEES AND AGENTS ARE PROVIDED "AS-IS," "WHERE-IS," AND "WITH ALL FAULTS" AND BUYER ACKNOWLEDGES THAT SELLER HAS NOT MADE, DOES NOT MAKE, AND SPECIFICALLY NEGATES, RENOUNCES, AND DISCLAIMS ANY REPRESENTATIONS, WARRANTIES, PROMISES, COVENANTS, AGREEMENTS, AND/OR GUARANTIES OF ANY KIND OR CHARACTER, EXPRESS OR IMPLIED, WITH RESPECT TO (1) THE PRODUCTS SOLD, THEIR MERCHANTABILITY, THEIR PHYSICAL CONDITION, THEIR FITNESS FOR A PARTICULAR PURPOSE, (2) THE MAINTENANCE OR OTHER EXPENSES TO BE INCURRED IN CONNECTION WITH THE PRODUCTS, (3) THE ENGINEERING, DESIGN, OR FABRICATION WORK OR ANY OTHER WORK OR SERVICE (WHETHER GRATUITOUS OR FOR PAYMENT) SUPPLIED BY SELLER AND/OR ITS AGENTS, SUPPLIERS, AND EMPLOYEES, AND (4) THE ACCURACY OR RELIABILITY OF ANY INFORMATION, DESIGNS, OR DOCUMENTS FURNISHED TO PURCHASER. SELLER NEITHER ASSUMES, NOR AUTHORIZES ANY PERSON TO ASSUME FOR IT, ANY OTHER OBLIGATION IN CONNECTION WITH THIS PROPOSAL, INCLUDING, WITHOUT LIMITATION, THE SALE OF ITS PRODUCTS AND/OR RENDERING OF ITS SERVICES. THIS WARRANTY SHALL NOT APPLY TO ANY PRODUCTS OR PARTS OF PRODUCTS WHICH (1) HAVE BEEN REPAIRED OR ALTERED OUTSIDE OF SELLER'S FACTORY, IN ANY MANNER, (2) HAVE BEEN SUBJECT TO MISUSE, NEGLIGENCE, OR ACCIDENTS, (3) HAVE BEEN USED IN A MANNER CONTRARY TO SELLER'S INSTRUCTIONS, RECOMMENDATIONS, OR SPECIFICATIONS (IF ANY), (4) CONTAIN DESIGN OR MANUFACTURING ERRORS AS A RESULT OF INACCURATE, INCOMPLETE, OR MISLEADING INFORMATION OR SPECIFICATIONS SUPPLIED BY BUYER OR ITS EMPLOYEES OR AGENTS, OR (5) HAVE BEEN PRODUCED OR MANUFACTURED (IN WHOLE OR IN PART) BY PERSONS OTHER THAN SELLER.

4) **SELLER'S LIABILITY.** SELLER'S LIABILITY FOR BREACH OF THE WARRANTY IN PARAGRAPH 3 SHALL BE EXPRESSLY LIMITED TO AND SHALL NOT EXCEED THE NET SALES PRICE OF THE DEFECTIVE PRODUCT(S), AND NO ADDITIONAL ALLOWANCE SHALL BE MADE FOR THE LABOR OR EXPENSE OF REPAIRING OR REPLACING DEFECTIVE PRODUCTS OR WORKMANSHIP OR DAMAGE RESULTING FROM THE SAME. SELLER SHALL NOT BE LIABLE FOR ANY LOSS, DAMAGE, COST OF REPAIRS, OR INCIDENTAL, CONSEQUENTIAL, OR PUNITIVE DAMAGES, OF ANY KIND, WHETHER BASED UPON WARRANTY (EXCEPT FOR THE LIMITED OBLIGATION SET FORTH IN PARAGRAPH 3), CONTRACT, NEGLIGENCE, OR ANY OTHER TORT OR CAUSE OF ACTION, ARISING IN CONNECTION WITH THIS PROPOSAL AND/OR THE DESIGN, MANUFACTURE, INSTALLATION, SALE, TRANSPORTATION, USE, OR REPAIR OF THE PRODUCTS OR OF THE INFORMATION, DESIGNS, SERVICES, OR OTHER WORK SUPPLIED TO BUYER.

5) **INFRINGEMENT.** Buyer shall indemnify, defend, and hold Seller harmless against all claims, causes of action, and liability and expense incurred by Seller and its agents and employees, in connection with any alleged infringement of any patent, copyright, trademark, or other intellectual property or proprietary information resulting from or arising in connection with this Proposal, including, without limitation, any claims, causes of action, and liability and expense arising from or occurring in connection with the design, manufacture, sale, installation, use, or repair of Seller's products and/or the use or dissemination of any designs, drawings, plans, specifications, or other documents, information, or services used by Buyer and/or Seller. The provisions of this Paragraph 5 shall survive the termination of this Proposal.

6) **INDEMNITY.** Except as expressly set forth in Paragraph 3, and to the maximum extent permitted by applicable law, Buyer shall defend, indemnify, and hold harmless Seller and its agents and employees against any loss, damage, claim, suit, liability, judgment, and expense (including, without limitation, attorney's fees) arising out of or in connection with the injury, disease, or death of persons (including, without limitation, Buyer's and Seller's employees and agents) or damage to or loss of any property or the environment or violation of any applicable law of any governmental authority resulting from or in connection with this Proposal and/or the design, manufacture, sale, transportation, installation, use, or repair of the products or of the information, designs, services, or other work supplied to Buyer, whether caused by the concurrent and/or contributory negligence of Buyer, Seller, or any of their agents, employees, or suppliers. The obligations, indemnities, and covenants contained in this Paragraph 6 shall survive the termination of this Proposal.

7) **CONFIDENTIAL INFORMATION.** Buyer shall hold in confidence and not disclose (without the prior written approval of Seller, except that such prior written consent shall not be necessary under any circumstances in which such disclosure is required by law) or use for its own benefit or otherwise disseminate any confidential information. As used herein, confidential information shall include, without limitation, i) all plans, designs, blueprints, and specifications of Seller and its agents and suppliers, ii) all design, manufacturing, construction, and installation processes and techniques of Seller and its agents and suppliers, and iii) all patents, copyrights, trademarks, intellectual property, and other proprietary information produced, used, or owned by Seller or its agents or suppliers. Buyer shall indemnify and hold Seller and its agents and employees harmless for any failure to conform or breach of any provision in this Paragraph 7. If it is determined by a court of competent jurisdiction that any provision of Paragraphs 3 through 7 hereof is declared invalid, illegal, or unenforceable in any respect, such provision shall automatically be amended to conform to the maximum monetary limits and other legal limits and to the maximum amount of time allowed by applicable law. The obligations, indemnities, and covenants contained in this Paragraph 7 shall survive the termination of this Proposal.

8) **INSPECTION AND ACCEPTANCE.** Buyer shall have seven (7) days from the date Buyer receives such products to (i) inspect such products and services and (ii) notify Seller, in writing, of any non-conformance or rejection of such products. After such seven (7) day period, Buyer shall be deemed to have accepted the products, unless Buyer has already accepted the products in a manner provided in Section 2.606 of the Texas Business and Commerce Code. After such acceptance, Buyer shall have no right to reject the products for any reason or to revoke acceptance of any non-conforming products, except as specifically provided in Section 2.608 of the Texas Business and Commerce Code; it being agreed by both parties that such seven (7) day period is a reasonable amount of time for such inspection and revocation. Without affecting the preceding limitation, where engineering, design, or fabrication work or other service is supplied by Seller, Buyer's acceptance of Seller's design or delivery of such work or service shall relieve Seller of all further obligations, except for the limited warranty set forth herein. If Buyer rejects any product or service, Seller shall have forty-five (45) days to cure such defect or non-conformance. Buyer shall have no right to (i) order any change or modification to any product or service previously ordered by Buyer or its representatives, or (ii) terminate this Proposal, without Seller's written consent and without prior payment to Seller of all charges, expenses, commissions, and reasonable profits owed to or incurred by Seller.

9) **SHIPMENTS.** The cost of any special packing or special handling caused by Buyer's requirements or requests shall be added to the amount of the purchase price. If Buyer causes or requests a shipment delay, or if Seller ships or delivers the products erroneously as a result of inaccurate, incomplete, or misleading information supplied by Seller or its agents or employees, storage and all other additional costs shall be borne solely by Buyer. No claim for shortages shall be allowed unless made in accordance with Paragraph 8, and Seller's count shall be accepted as conclusive on all shipments. Claims for products damaged or lost in transit shall be made on the carrier, as Seller's responsibility ceases, and title passes to Buyer, on delivery to the Carrier.

10) **DEFAULT.** If Buyer breaches any provision hereof, or becomes insolvent, enters bankruptcy, receivership, or other similar proceeding (whether voluntarily or involuntarily), or makes an assignment for the benefit of its creditors, Seller shall have the right, in addition to any other right or remedy it may have hereunder or by law, to (i) defer shipment of any product, or (ii) terminate this Proposal by giving Buyer written notice. If Seller terminates this Proposal as provided herein, (i) Seller shall be released from all further obligations hereunder, and (ii) Buyer shall pay Seller, within thirty (30) days from the date Seller terminates this Proposal, the full value for all products and services previously delivered, for all costs and expenses incurred by Seller in attempting to complete this Proposal, and for all costs and expenses (including attorney's fees and collection costs) incurred by Seller as a result of Buyer's breach.



# STANDARD TERMS AND CONDITIONS

11) PRICES AND DESIGNS. Prices and designs are subject to change without notice. All prices are F.O.B. Point of Shipment, unless otherwise stated by Seller in writing. All prices apply only to the specific products described on the attached pricing proposal.

12) TAXES. The amount of any sales, excise, or other taxes, if any, applicable to the products and services covered herein shall be added to the purchase price and shall be paid by Buyer unless Buyer provides Seller with an exemption certificate acceptable to Seller.

13) TERMS. Cash, net 30 days unless otherwise specified in writing by Seller. Buyer absolutely and unconditionally guarantees to Seller prompt payment, when due, of all amounts owing Seller. Seller may decline to make deliveries under this proposal and may withdraw any credit or payment terms and demand payment for any amount owed by Buyer to Seller, whenever Seller, for any reason, doubts Buyer's ability to pay and Seller advises Buyer, in writing. In addition to the Remedies contained in Paragraph 10, if Buyer fails to perform any of the terms of this Proposal, Seller shall have the right to defer shipments until such default is cured or lien project.

14) ARBITRATION and Venue. In the event of any dispute between Seller and Buyer in connection with this Proposal, the design, manufacture, sale, transporting, use, installation, or repair of the products provided, or the services provided, such dispute shall be settled by arbitration at the request of either party. To institute such arbitration proceedings, the party desiring to institute the arbitration procedure shall notify the other party and in such notice designate the first arbitrator. If the first arbitrator is acceptable to the other party, the other party shall so notify the first party within ten (10) days and the first arbitrator shall proceed to determine the dispute within twenty (20) days thereafter. If the first arbitrator is not acceptable, then within ten (10) days of notification of the name of the first arbitrator, the second party shall designate in writing a second arbitrator. If a second arbitrator is designated, the two arbitrators shall meet and select a third arbitrator and the three arbitrators shall determine the matter and dispute within twenty (20) days from the date of the designation of the second arbitrator. Failure of the two initial arbitrators to select a third arbitrator within ten (10) days, shall entitle either party to apply to an appropriate court for appointment of the third arbitrator. All arbitrators shall be licensed attorneys with at least five (5) years experience in business and/or commercial transactions.

The decision of the arbitrator or arbitrators shall be binding and conclusive on the parties hereto. The fees and expenses of the arbitrator appointed by each party shall be the responsibility of that party. If only one arbitrator is used, or with respect to the third arbitrator, the fees and expenses of such sole or third arbitrator, as the case may be, shall be borne equally by the parties. Any arbitrator designated to serve pursuant hereto shall not be an affiliate of any of the parties hereto. Any arbitration carried out pursuant to this Proposal shall be conducted in accordance with the Federal Arbitration Act and the applicable rules of the American Arbitration Association. The arbitrator(s) shall allow the production of all documents which form the basis of the dispute, as well as all supporting documentation reasonably necessary to explain the documents in dispute. No hearings or other discovery shall be allowed unless the arbitrator(s), in his or their sole opinion, deems it necessary for the arbitration. All the hearings and proceedings held and all investigations and actions taken by the arbitrator shall take place in the city in which the principal offices of Seller are located (as of the date of this Proposal, the principal offices of Seller are located in Houston, Harris County, Texas). Judgment upon any award rendered by the arbitrator or arbitrators may be entered in any court having jurisdiction thereof. While the fees and expenses of the arbitrators shall be apportioned as set forth above, the losing party will pay the prevailing party's attorneys' fees and other costs.

15) INVALID PROVISIONS. If any provision hereof is held to be illegal, invalid, or unenforceable under present or future laws effective during the term hereof, such provision shall be fully severable; this Proposal shall be construed and enforced as if such illegal, invalid, or unenforceable provision had never comprised a part hereof; and the remaining provisions here shall remain in full force and effect and shall not be affected by the illegal, invalid, or unenforceable provisions or by its severance herefrom.

16) COSTS. Except as specifically provided in Paragraph 14, the prevailing party in any dispute between the parties to this Proposal, arising out of the interpretation, application, or enforcement of any provision of this Proposal, shall be entitled to recover all of its reasonable attorneys' fees and costs, whether suit be filed or not.

17) PAST DUE ACCOUNTS. Buyer agrees to pay Seller the maximum lawful rate allowed by applicable state and federal law on all past due accounts.

18) ASSIGNMENT. This Proposal shall not be assigned by Buyer without the prior written consent of Seller.

19) WAIVER. A waiver by Seller of any provision of this Proposal or of any right or remedy shall not constitute a waiver of any other provision, right, or remedy.

20) SECTION HEADINGS. The section headings in this Proposal are for convenience only and shall have no meaning or effect.

## Special Commercial Terms & Conditions:

Escalation-Prices for Raw material are quoted based on market price at time of quote. RILCO reserved the right to adjust final price of products based on changes in cost of raw materials due to mill surcharges at time of material delivery with proper documentation.

Late Payments-RILCO terms are offered based on timely payment of invoices. RILCO reserves the right to charge a late fee for payments 10 days past terms offered. RILCO reserves the right to hold shipments of goods if an account is past due until account been paid and is current. RILCO reserves the right to discontinue our offered terms if and account is not paid according to offered terms.

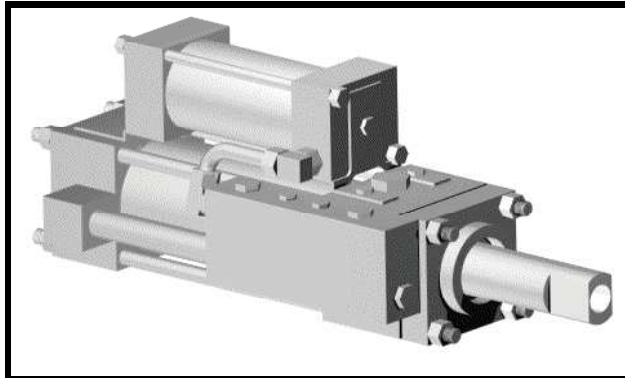
Liquidated Damages-RILCO does not accept liquidated damages for later delivery due to engineering changes, engineering review or other items beyond our direct control.

Credit-Credit is offered subject to credit approval.

Delivery-Quoted delivery schedule is based on production workload at time of proposal. RILCO reserves the right to provide a formal production schedule at time of order placement due to material availability and shop work load at time of order placement

We are currently basing our production on controlled order acceptance. This basically means that we are going to review each order on the date it is received for all conditions such as delivery requirements, payment terms, and material availability before we accept an order for manufacturing.

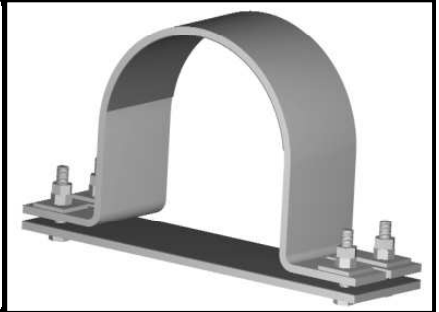
## Hydraulic Snubber



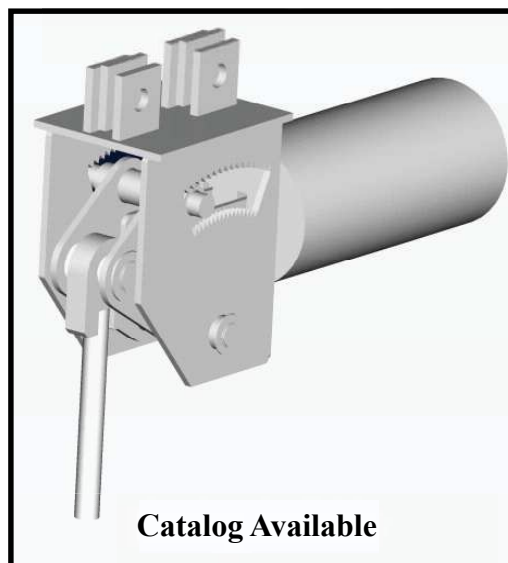
Load (lbs)	
Cylinder Size (in)	Max Load
1-1/2 (5" stroke)	3000
1-1/2 (10" stroke)	1250
2-1/2 (5", 10", 15" stroke)	12500
2-1/2 (20" stroke)	10500
3-1/4	21000
4	32000
5	50000
6	72000
8	128000

## Hold Down Clamps

Guide and capture applications available for all pipe sizes, materials and finishes. Built to customer specifications. Can be supplied with Teflon liners and slides and/ or vibration dampening materials.



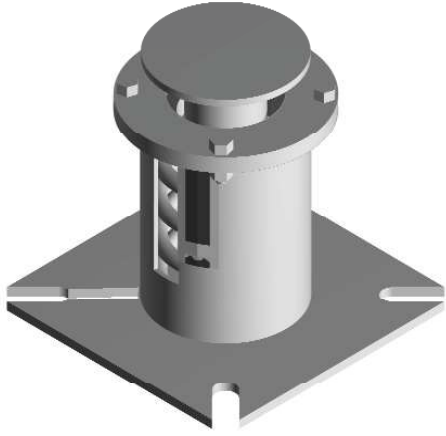
## Constant Springs




Types	Figures	Sizes
A	RCS 80V, RCS 81H	1-110
B	RCS 80V, RCS 81H	1-110
C	RCS 80V, RCS 81H	1-110
D	RCS 80V, RCS 81H	1-110
E	RCS 80V, RCS 81H	1-110
F	RCS 80V, RCS 81H	1-110
G	RCS 80V	1-110
UPTHRUST	RCS 81H	1-63
Designs available for non-standard loads or dimensions		

## Variable Springs

Types	Figure and Numbers	Sizes
A	RVS 82, 268, 98, 3X, 4X	000 thru 22
B	RVS 82, 268, 98, 3X, 4X	000 thru 22
C	RVS 82, 268, 98, 3X, 4X	000 thru 22
D	RVS 82, 268, 98, 3X, 4X	000 thru 22
E	RVS 82, 268, 98, 3X, 4X	000 thru 22
F	RVS 82, 268, 98, 3X, 4X	000 thru 22
G	RVS 82, 268, 98, 3X, 4X	000 thru 22




## High Temperature Supports



Temperature up to 1200° F  
 Applications for guides, resting, anchors, hangers, insulation blocks, riser clamps, and trunnion supports.  
 Available in all pipe sizes and insulation thickness.  
 Select from RILCO standard supports or custom design per customer specification.

## Low Temperature Supports

Temperatures range: -425° F to 275° F  
 Applications for guides, resting, anchors, hangers, insulation blocks, riser clamps, and trunnion supports.  
 Available in all pipe sizes and insulation thickness.  
 Select from RILCO standard supports or custom design per customer specification.

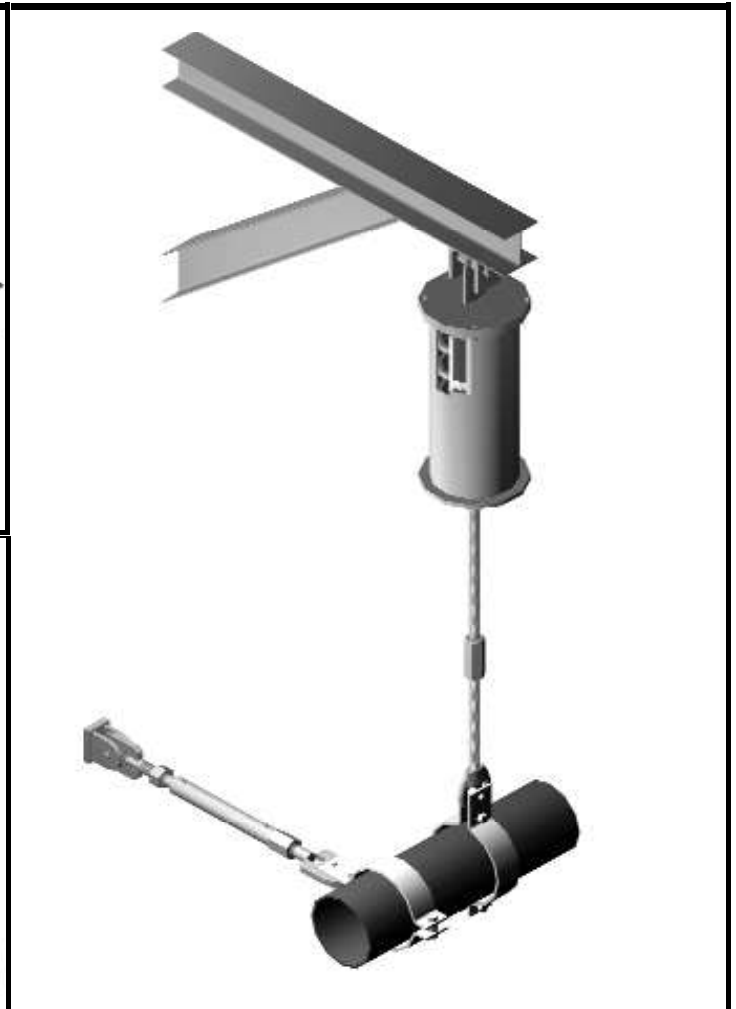
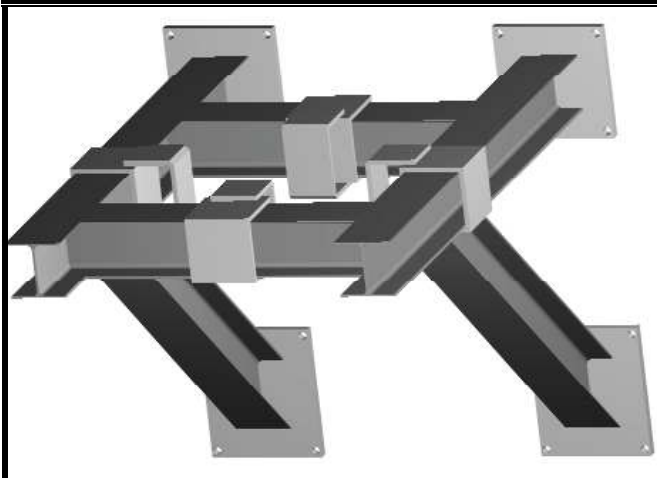
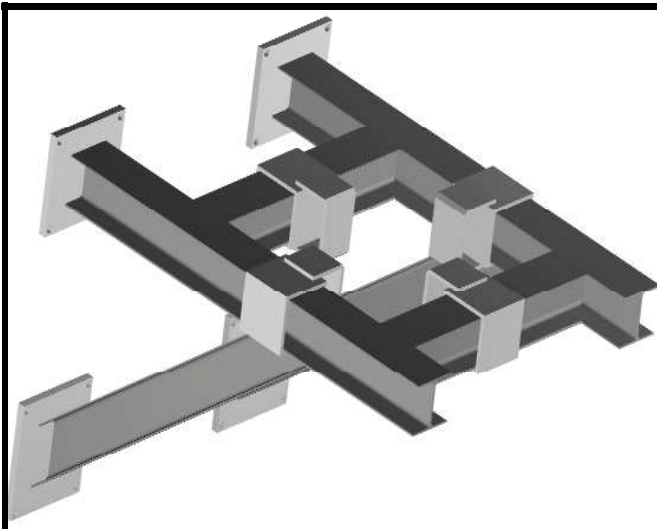






RILCO Cam Roller™ Constants are fabricated utilizing a space saving, balanced design to accommodate the use of standardized RILCO accessories. Site installation is enhanced via the use of the centered, single point connection and weight saving design. “RCR” units transfer the load directly through the center of the body, eliminating the need for added moments required on structural supports when using lever arm constants.

### Fabricated Steel



RILCO designed and manufactured to meet your specifications using commercially available and fabricated members in wide range of materials and plate thicknesses.



RILCO's global headquarters, in Houston, Texas, is currently situated on over 225,000 square feet of manufacturing and office space at two locations. Each facility was specially designed and laid-out utilizing large bays for steel fabrication, including multiple fit-up and welding stations, in house blasting and painting as well as a separate assembly and packing area providing us with the capabilities to process jobs ranging from the simple to the most complex. We are ready and willing to provide you with *"All the Support You Need"* for your most important project.

Our state of the art steel fabrication equipment at Brittmoore Park and Irvington includes:

### Press Breaks

One- Four Hundred Ton Capacity Sixteen Foot and;  
One- Two Hundred Ton Capacity Ten Foot Press Breaks

### Ironworkers

One- One Hundred Ton Capacity 6' x 6' x 1/2" angle and;  
One- One Hundred Ton Capacity 1-1/2" x 12' flat bar



### Shears

Two- 1/2" x 10'



### Rolls

Two- 1/2" x 5' and;  
Two- 1/4" x 4' and;  
One- 1-1/2" x 6' and;  
One- 1/2" x 10'

### Plasma Burners

One-20' x 90' and;  
One-10' x 40'



### Saw Cutters

Three- capable of cutting up to 24" wide beams

### Punch Press

One-80 Ton Capacity



### Overhead Cranes

Five-10 Ton Capacity and;  
One-15 Ton Capacity

Multiple welding and fit-up stations  
as well as blasting and painting booths.





# RILCO Manufacturing Company, Inc.

11435 Brittmoore Park Drive, Houston, Texas 77041

(713) 466-4777, Fax (713) 466-6547, Toll Free 1-800-787-8024

Web: [www.Rilcomfg.com](http://www.Rilcomfg.com)

© RILCO Manufacturing 2010